

ASSEMBLY INSTRUCTION

ROUND END TABLE

A Table Top



1 PC

B Bottom Frame



1 PC

C Leg Support



3 PCS

D Bolt
1/4"*5/8"



6 PCS

E Bolt
1/4"*1-1/4"

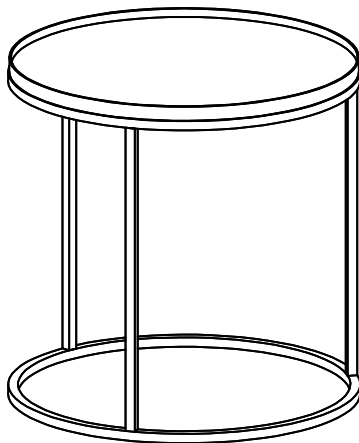


3 PCS

F Allen Key
M4

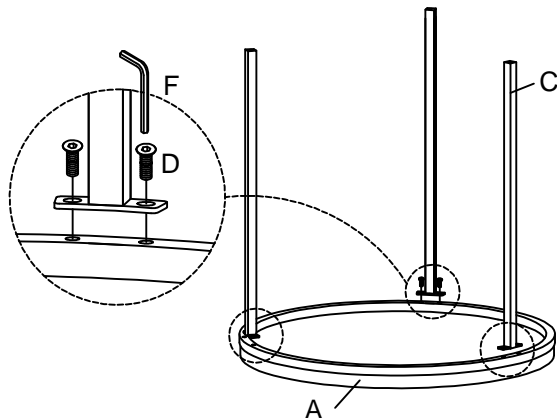


1 PC

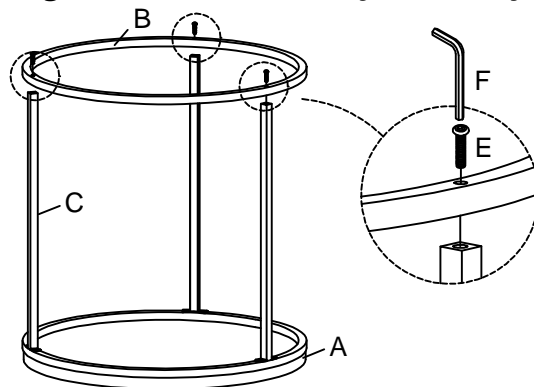


This page lists all the contents included in the box. Please take the time to identify the hardware as well as the individual components to this product. As you unpack and prepare for assembly, place the contents on a carpeted or padded area to protect them from damage.

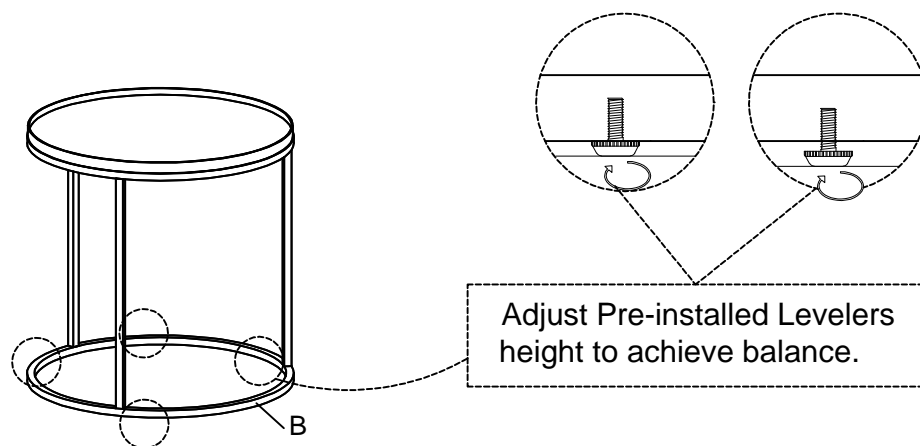
- 1** Attach Leg Support (C) to Table Top (A) using Bolt (D) with Allen Key (F).
Note: At this stage, do not fully tighten the Bolts.



- 2** Attach Bottom Frame (B) to Leg Support (C) using Bolt (E) with Allen Key (F).
Note: At this stage, tighten all Bolts at all joints fully in a sequential manner.



- 3** Adjust the Pre-installed Levelers at the Bottom Frame (B) until the End Table is level with the ground.



Cleaning & Care

Treat surface with care. Surface is resistant to scratches but is not scratch resistant. Clean surfaces with a dry or damp soft cloth. Do not use abrasive cleaners. Hardware may loosen over time. Periodically check that all connections are tight.