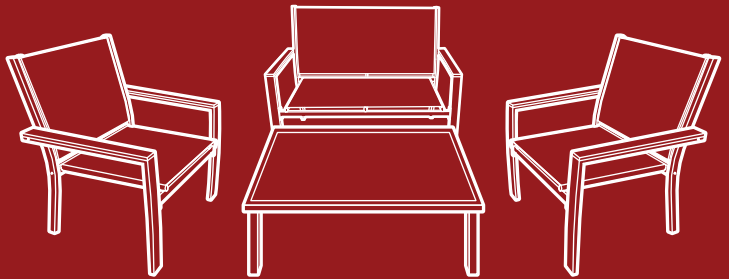




BEST CHOICE  
PRODUCTS



# INSTRUCTION MANUAL

---

4-Piece Outdoor Textilene  
Conversation Set



**BEST CHOICE  
PRODUCTS**

---

As shoppers, we're always trying to find the perfect balance between quality & value. At BCP, we believe we've achieved that. Our diverse catalog of everyday essentials is tailored especially to our customers & guaranteed to hit that sweet spot of high quality & low price.

— Always. —

## ! NOTICE

Please retain these instructions for future reference.

- Please do not exceed the weight limitations of this item.
- Do not stand on or use any part of this item as a step ladder.
- Firmly secure all screws, screws, or knobs before use.
- Reconfirm that all screws, screws, or knobs are secure every 90 days.
- Fasten screws loosely during initial assembly. Do not firmly tighten the screws until the item is completely assembled.
- Do not use or store this item in the proximity of open flame or flammable/combustible chemicals.
- Be aware that some parts are heavy and have sharp edges.
- If any parts are missing, broken, damaged, or worn, stop using this product until repairs are made and/or factory replacement parts are installed.
- Do not use this item in a way inconsistent with the manufacturer's instructions as this could void the product warranty.
- This product is intended for residential use only.

## TOOLS REQUIRED



ALLEN WRENCH  
(PROVIDED)



66 LBS  
TABLE  
CAPACITY



330 LBS  
CHAIR  
CAPACITY



660 LBS  
LOVESEAT  
CAPACITY



2 PERSON  
ASSEMBLY



UP TO 30 MIN.  
ASSEMBLY

## HARDWARE

1

M6 x 15mm  
BOLT



17 PCS

2

M6 x 30mm  
BOLT



18 PCS

3

M6 x 60mm  
BOLT



6 PCS

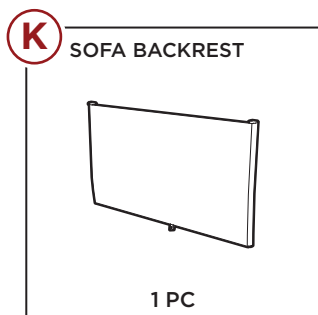
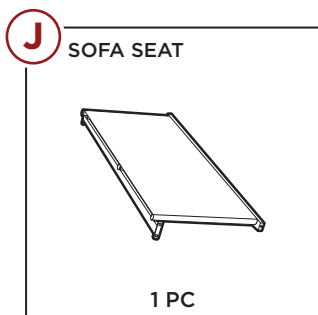
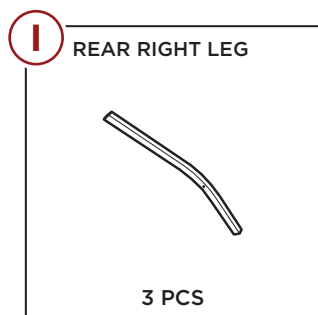
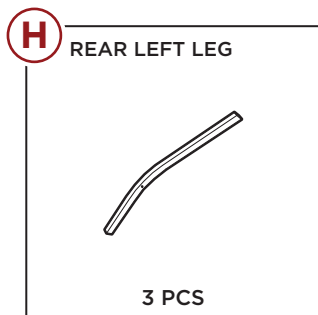
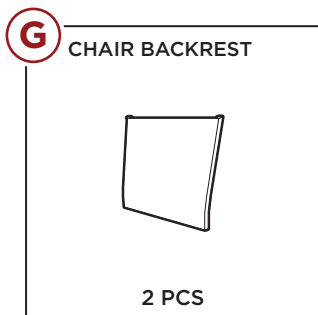
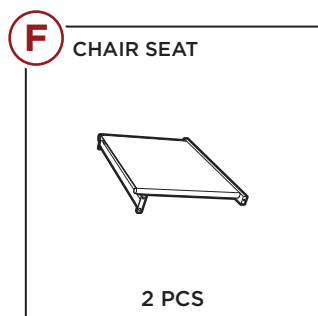
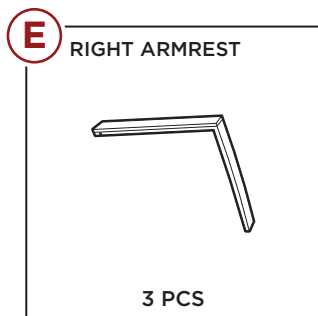
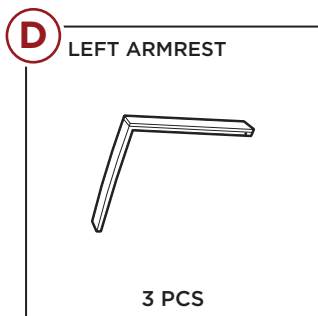
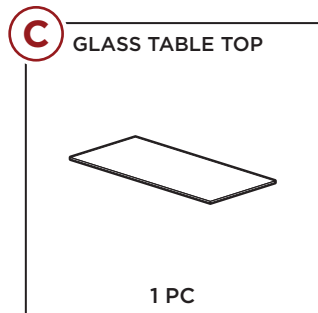
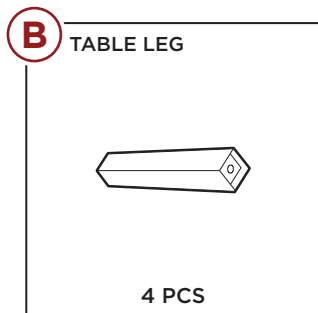
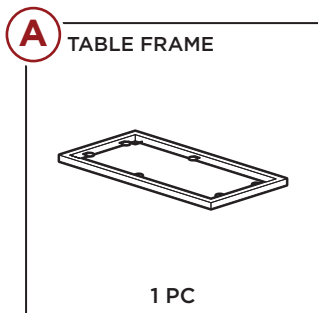
4

M6 WASHER



41 PCS

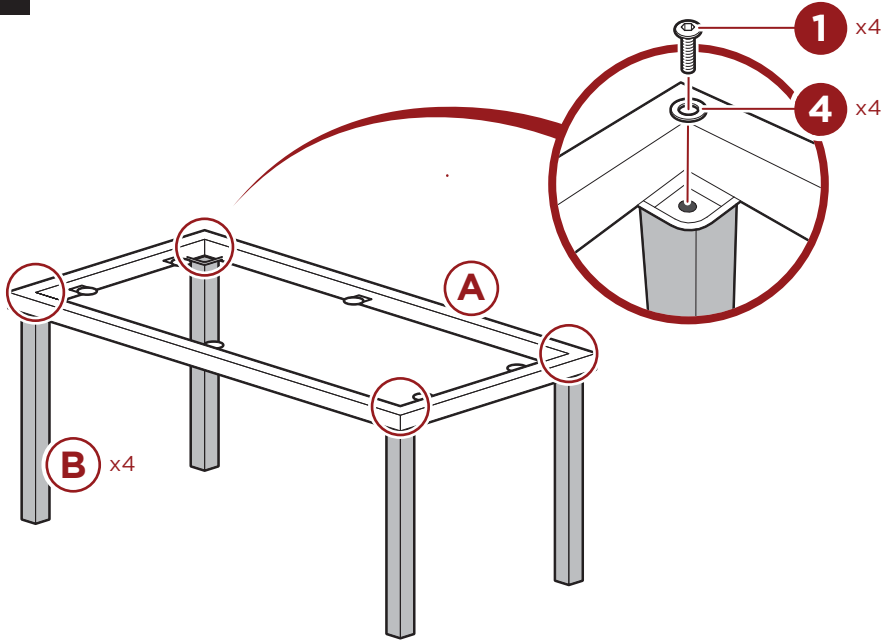
# PARTS



## PRODUCT ASSEMBLY (TABLE)

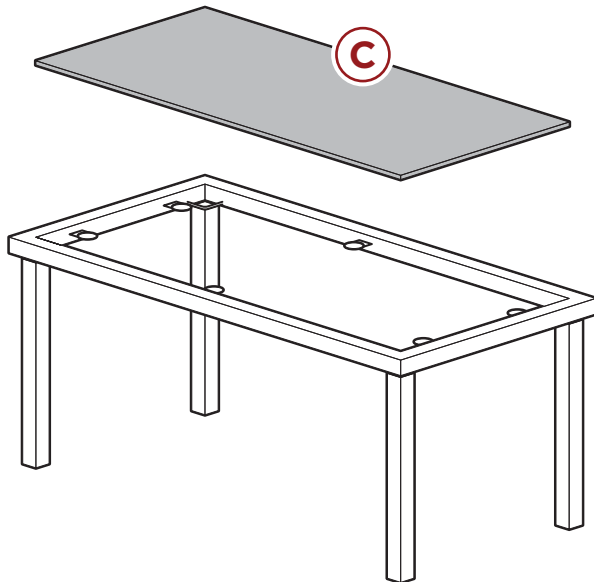
1

Attach four **part B table legs** to the **part A table frame** with four **part 1 screws**, and four **part 4 washers**. Use one screw and one washer per leg.



2

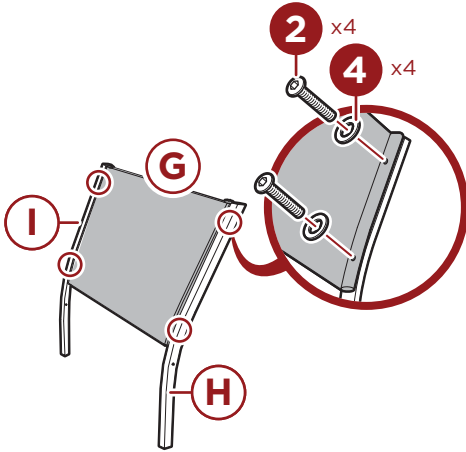
With a second person, gently lower the **part C glass tabletop** onto the **part A table frame**.



## PRODUCT ASSEMBLY (CHAIR)

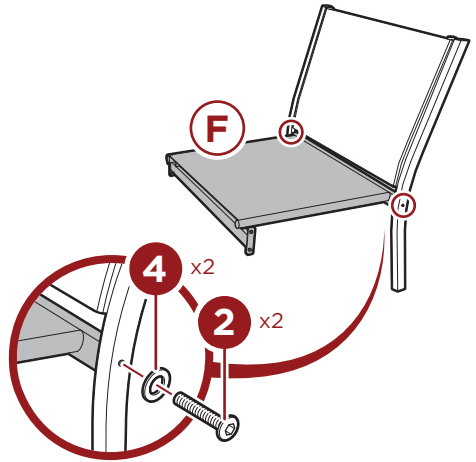
1

Attach one **part H** and one **part I** rear leg to the **part G** chair backrest with four **part 2** screws and four **part 4** washers, two screws and washers per leg.



2

Attach the **part G** chair backrest to the **part F** chair seat with two **part 2** screws and two **part 4** washers.

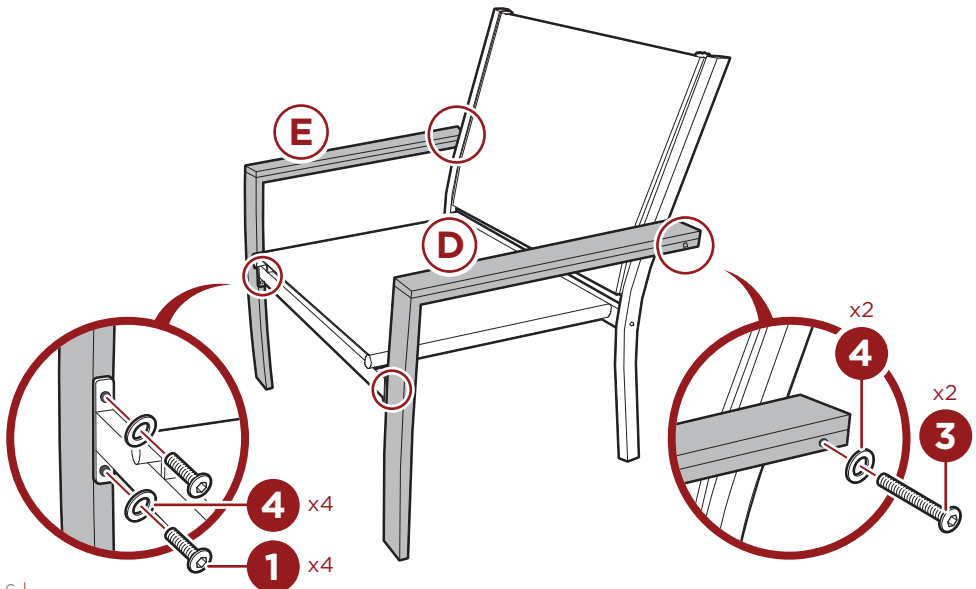


3

Connect the **part D** and **part E** left/right armrests to the **part F** chair seat with four **part 1** screws and four **part 4** washers.

Secure the **part D** & **E** armrests to the **part G** chair backrest with two **part 3** screws and two **part 4** washers.

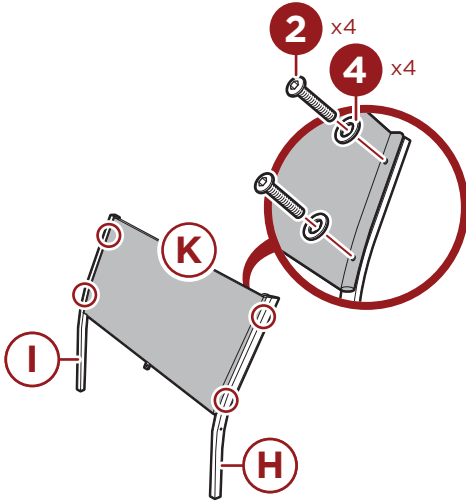
Repeat steps 1-3 to assemble a second chair.



## PRODUCT ASSEMBLY (SOFA)

1

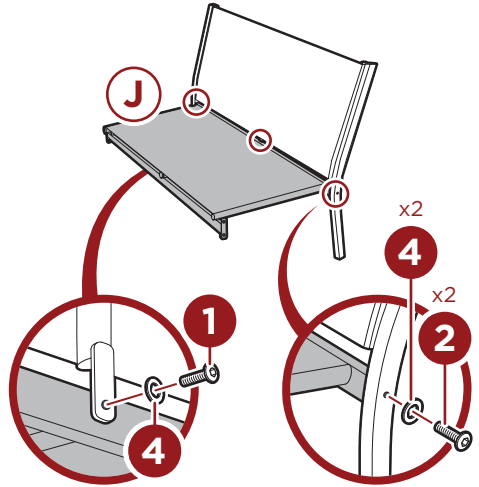
Attach one **part H** and one **part I** rear leg to the **part K** sofa backrest with four **part 2** screws and four **part 4** washers, two screws and washers per leg.



2

Attach the **part K** sofa backrest to the **part J** sofa seat with two **part 2** screws and two **part 4** washers.

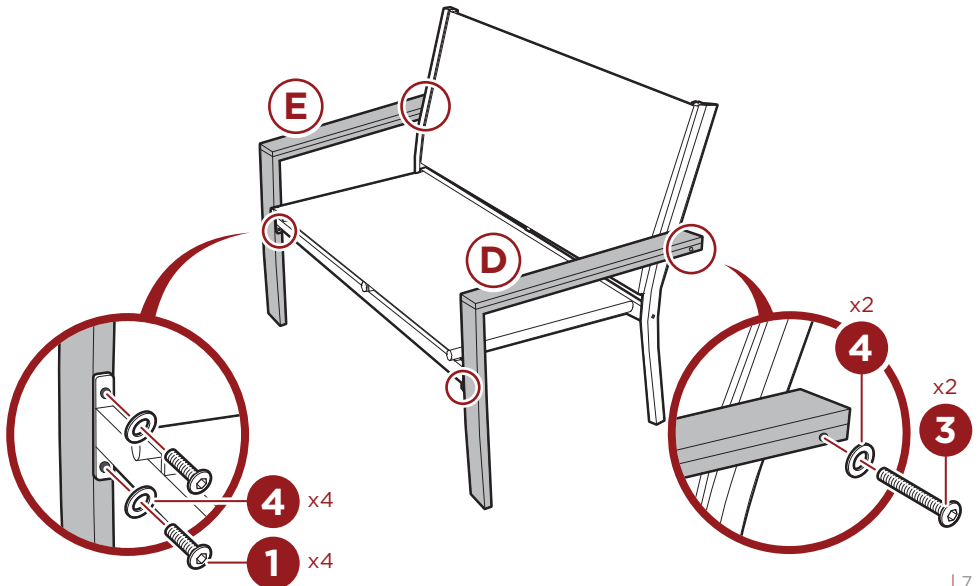
Secure the center of the seat to the backrest with one **part 1** screw and one **part 4** washer.



2

Connect the **part D** and **part E** left/right armrests to the **part H** sofa seat with four **part 1** screws and four **part 4** washers.

Secure the **part D & E** armrests to the **part I** sofa backrest with two **part 3** screws and two **part 4** washers.





# HELP CENTER



Question about your product? We're here to help. Visit us at:

[help.bestchoiceproducts.com](http://help.bestchoiceproducts.com)



Chat Support



Product Inquiry



Orders FAQ



Product Assembly



Returns & Refunds

## PRODUCT WARRANTY INFORMATION

All items can be returned for any reason within 60 days of the receipt and will receive a full refund as long as the item is returned in its original product packaging and all accessories from its original shipment are included. All returned items will receive a full refund back to the original payment method. All returned items will not be charged a re-stocking fee.

All returned items require an RA (Return Authorization) number, which can only be provided by a Best Choice Products Customer Service Representative when the return request is submitted. Items received without an RA may not be accepted or may increase your return processing time. Once an item has been received by Best Choice Products, refunds or replacements will be processed within 5 business days.

All returns must be shipped back to the Best Choice Products Return Center at the customer's expense. If the reason for return is a result of an error by Best Choice Products then Best Choice Products will provide a pre-paid shipping label via email. Boxes for return shipping will not be provided by Best Choice Products, and is the customer's responsibility to either use the original shipping boxes or purchase new boxes.

Pictures may be required for some returns to ensure an item is not damaged prior to its return. Items returned are not considered undamaged until they are received by Best Choice Products and verified as such. All damages to items are the customer's responsibility until the item has been received by and acknowledged by Best Choice Products as undamaged.

© Best Choice Products, Inc. All rights reserved. Distributed by Best Choice Products, Inc. Tustin, CA 92780



## WARNING

Manufacturer and seller expressly disclaim any and all liability for personal injury, property damage or loss, whether direct, indirect, or incidental, resulting from the incorrect attachment, improper use, inadequate maintenance, unapproved modification, or neglect of this product.