

Cetus

LED Dusk to Dawn

Product Description

The Cetus LED Dusk to Dawn utilizes a single LED source and provides a light output suitable for general purpose security and area lighting. The Cetus is an economical and efficient lighting solution that includes a photocell and tubular mounting arm. The fixture easily installs on a wall or pole (included).

Construction

- Die-cast aluminum housing
- Tubular steel arm (2" diameter), 21" (length)
- Stainless steel hardware
- Fine-textured, UV-stabilized powder coat grey finish

Optical System

- Non-yellowing polycarbonate lens
- Open-bottom polycarbonate prismatic diffuser
- CRI 70+

Electrical

- Input voltage of 120-277VAC
- Power factor: >0.9
- THD < 20%
- Operating temperature rating of -40° to 120°F (-40°C to 49°C)

Controls

- 3-pin Photocell (Daytime OFF / Nighttime ON) included standard

Mounting and installation

- Easy installation on wall or pole (pole mount arm included)
- For installations where power surge may be possible, NICOR recommends installing additional surge protection at the electrical distribution panel

Listings

- LM-79, LM-80 testing performed in accordance with IESNA standards
- UL and CUL Listed for wet locations
- Meets FCC Part 15, Subpart B, Class A standards for conducted and radiated emissions
- TM-21 Reported L70(17k) life >102,000 hours
- TM-21 Projected L70(17k) life =162,000 hours

Warranty

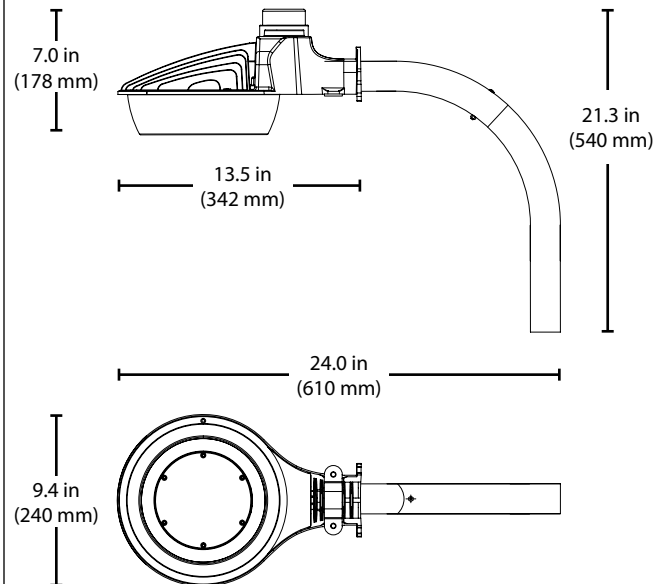
- 5-year limited system warranty standard
- Warranty does not cover product failure due to an overvoltage event (power surge)

Project _____

Catalog _____

Type _____

Date _____



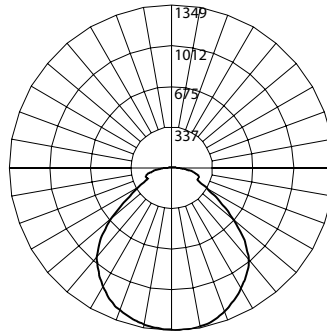
Photometric Data

ODL2 5000K

Input Voltage (VAC)	120-277
System Level Power (W)	50.2
120V Current (A)	0.42
277V Current (A)	0.18
Delivered Lumens (Lm)	6311
System Efficacy (Lm/W)	125.7
Correlated Color Temp (K)	5027
Color Rendering Index (CRI)	73
Beam Angle	98.7
Spacing Criteria	1.28

Intensity Summary (Candle Power)

Angle	Mean CP
0	2490
5	2484
15	2421
25	2255
35	1989
45	1552
55	866
65	413
75	401
85	165
90	75



Zonal Lumen Summary

Zone	Lumens	% of Luminaire
0-30	1958	31%
0-40	3201	50.7%
0-60	5158	81.7%
0-90	6206	98.3%
90-180	105	1.7%
0-180	6311	100%

Fixture tested per LM-79-08. Photometric data is of the performance of a representative fixture. Results may vary in the field.

Performance Data

Model Number	Lumens	Watts	Lumens/Watt	BUG Rating at 0°
ODL2050MV507GRP	6311	50.2	125.7	B2-U3-G1

Ordering Information

Example: ODL2050MV507GRP

Series	Version	Wattage	Voltage	CCTs	CRI	Finish	Photocell
ODL	2	050 (50 W)	MV (120-277)	50 (5000 K)	7 (70+)	GR (Grey)	P (Photocell)

Specifications and dimensions subject to change without notice.

This device complies with part 15 of the FCC Rules. Operation is subject to the following two conditions: (1) This device may not cause harmful interference, and (2) this device must accept any interference received, including interference that may cause undesired operation.

NOTE: This equipment has been tested and found to comply with the limits for a Class A digital device, pursuant to part 15 of the FCC Rules. These limits are designed to provide reasonable protection against harmful interference when the equipment is operated in a commercial environment. This equipment generates, uses, and can radiate radio frequency energy and, if not installed and used in accordance with the instruction manual, may cause harmful interference to radio communications. Operation of this equipment in a residential area is likely to cause harmful interference in which case the user will be required to correct the interference at his own expense.