

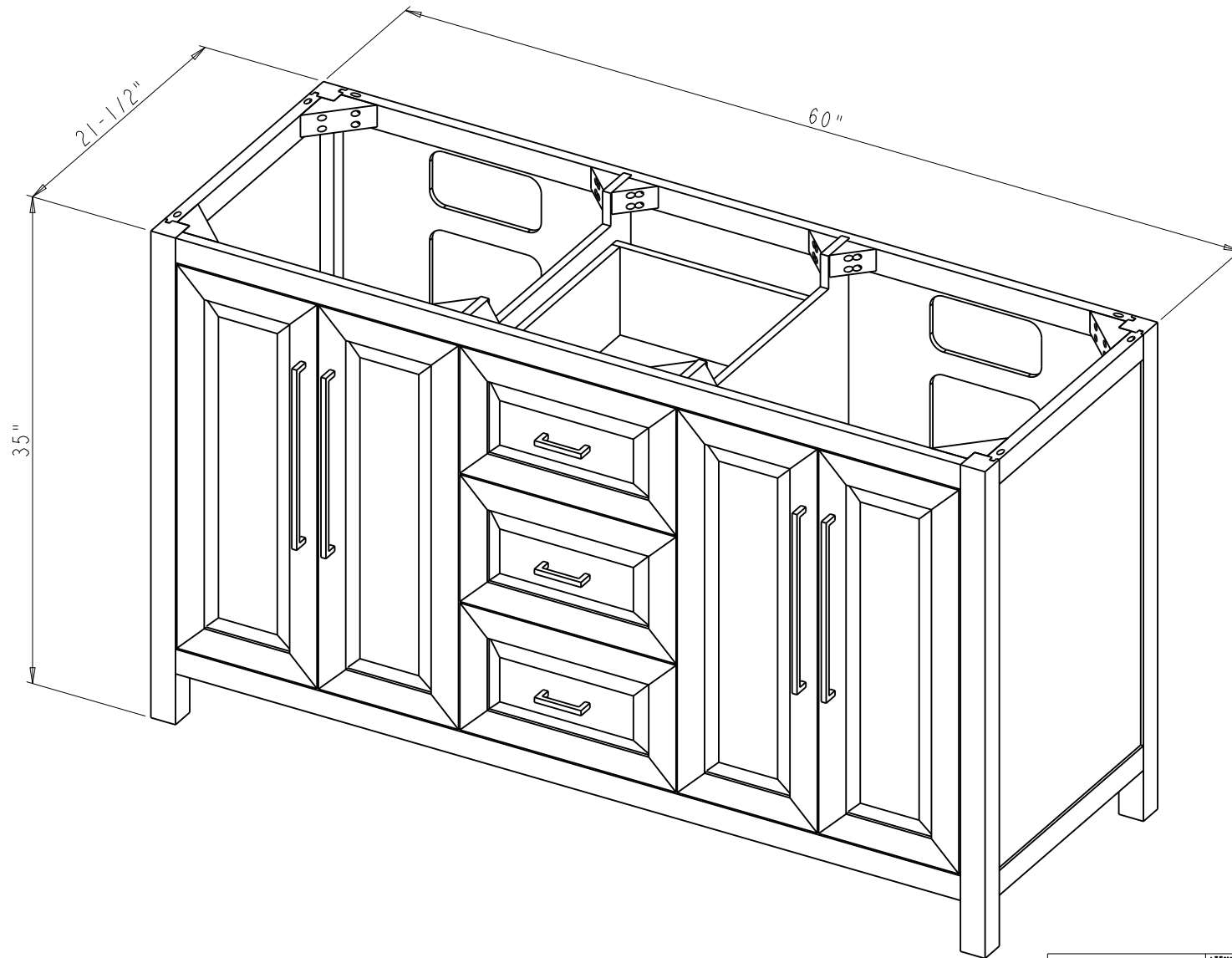
Adjustable-Shelf


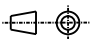
Specification:

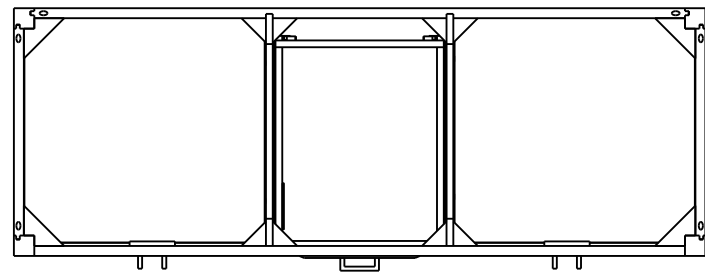
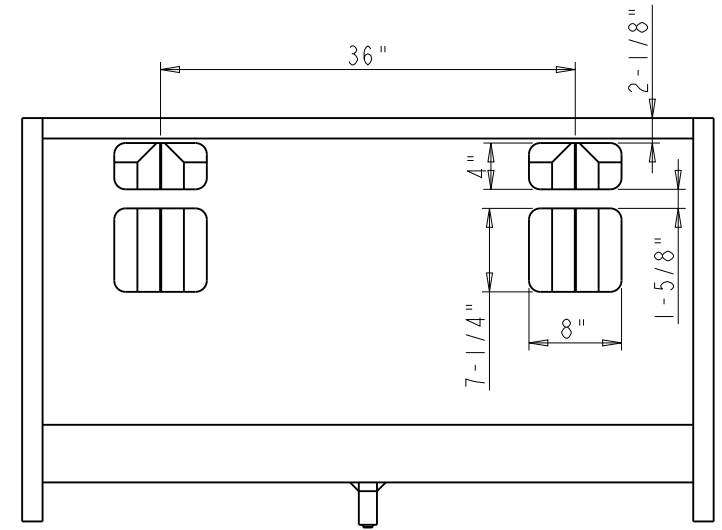
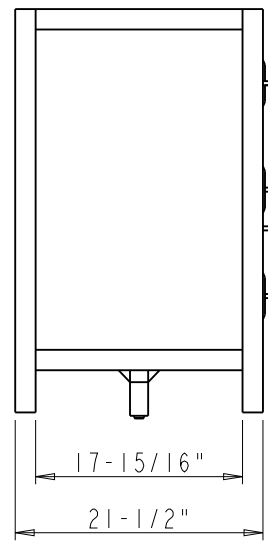
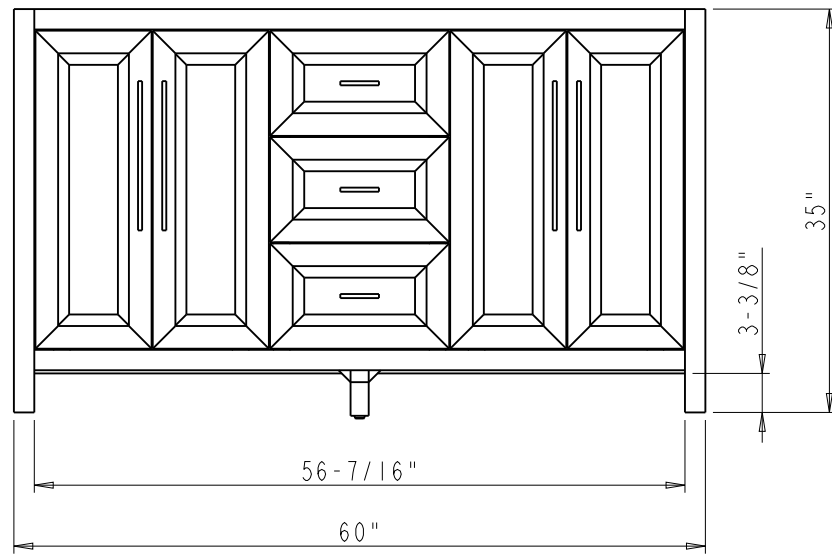
1. Material: MDF + Plywood + Birch
2. Finish: See Table
3. Hardware: See Table
4. Slides: USE58-300-18 + US-CLIP-4W ( 5 Sets )
5. Hinge: 700.0536.25 + 600.1234.05 ( 4 Sets )  
700.0537.25 + 600.1234.05 ( 4 Sets )
- 6 Shelf Supports: 1707 ( 8 PCS )
7. The tolerance is +/- 1/8"

Item number	Finish	Deco Hardware			
		Item number	Qty	Item number	Qty
VN2CAD-60D-BK-NT	Black	625-320PC	4	625-3PC	3
VN2CAD-60D-GR-NT	Grey	625-320PC	4	625-3PC	3
VN2CAD-60D-WH-NT	White	625-320PC	4	625-3PC	3

<p><b>hardware resources</b></p> <p><small>PROPRIETARY AND CONFIDENTIAL</small></p> <p><small>THE INFORMATION CONTAINED IN THIS DRAWING IS THE SOLE PROPERTY OF HARDWARE RESOURCES INC. ANY REPRODUCTION IN PART OR AS A WHOLE WITHOUT THE WRITTEN PERMISSION OF HARDWARE RESOURCES INC. IS PROHIBITED.</small></p> <p><small>DO NOT SCALE DRAWING</small></p>	ITEM:	VN2CAD-60		MATERIAL:
	FINISH:			WEIGHT:
				9
TOLERANCE UNLESS OTHERWISE SPECIFIED:	UNITS:	DRAWN BY:		DATE:
X ±0.20		Hugo.cai		Mar-16-20
X.X ±0.10	SIZE:	APPROVED BY:		DATE:
X.XX ±0.05				
ANGULAR: ±0.5°	SHEET:	RELEASE LEVEL:	REVISION:	



 <p><b>PROPRIETARY AND CONFIDENTIAL</b></p> <p>THE INFORMATION CONTAINED IN THIS DRAWING IS THE SOLE PROPERTY OF HARDWARE RESOURCES INC. ANY REPRODUCTION IN PART OR AS A WHOLE WITHOUT THE WRITTEN PERMISSION OF HARDWARE RESOURCES INC. IS PROHIBITED.</p> <p>DO NOT SCALE DRAWING</p>	ITEM:	VN2CAD - 60		MATERIAL:		
	FINISH:			WEIGHT:	9	
	<p>PROJECTION</p> 			UNITS:	DRAWN BY:	DATE:
	<p>TOLERANCE UNLESS OTHERWISE SPECIFIED:</p> <p>X ±0.20</p> <p>X.X ±0.10</p> <p>X.XX ±0.05</p> <p>ANGULAR: ±0.5°</p>			SIZE:	APPROVED BY:	DATE:
			SHEET:	RELEASE LEVEL:	REVISION:	



	ITEM#: VN2CAD-60		MATERIAL:	
	FINISH:		WEIGHT:	
<p><b>PROPRIETARY AND CONFIDENTIAL</b></p> <p>THE INFORMATION CONTAINED IN THIS DRAWING IS THE SOLE PROPERTY OF HARDWARE RESOURCES INC. ANY REPRODUCTION IN PART OR AS A WHOLE WITHOUT THE WRITTEN PERMISSION OF HARDWARE RESOURCES INC. IS PROHIBITED.</p>	<p>TOLERANCE UNLESS OTHERWISE SPECIFIED:</p> <p>X ±0.20</p> <p>X.X ±0.10</p> <p>X.XX ±0.05</p> <p>ANGULAR: ±0.5°</p>		<p>UNITS:</p>	<p>DATE:</p> <p>Mar-16-20</p>
	DO NOT SCALE DRAWING		<p>DRAWN BY:</p> <p>Hugo.cai</p>	<p>DATE:</p>
			<p>APPROVED BY:</p>	<p>DATE:</p>
			<p>SHEET:</p>	<p>REVISION:</p>

