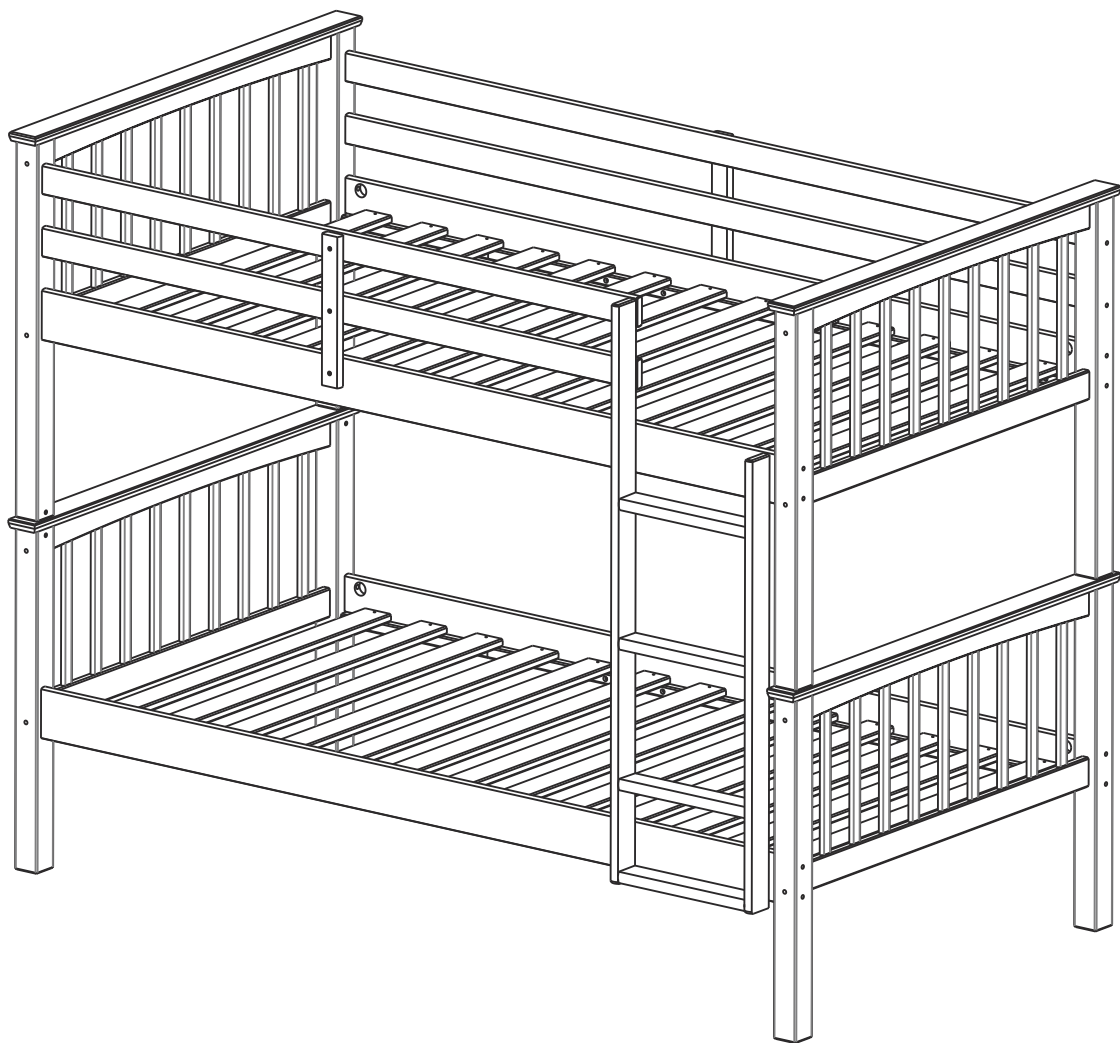


Item #: BWTOTMS

Assembly Instructions



Please visit our website for the most current instructions, assembly tips, report damage, or request parts. www.walkeredison.com

Revised 12/2022 V-3

WALKER EDISON

Instruction Manual

IMPORTANT INFORMATION READ BEFORE ASSEMBLING THIS PRODUCT

Follow the information on the warning appearing on the upper bunk end structure and on the carton. Do not remove warning label from bed.

Use only a mattress with the dimensions 74-75 in. L x 37 1/2 - 38 1/2 in. W x 7.5 in. H on the upper bunk. A mattress with the same dimensions is also recommended for the lower bunk.

Surface of mattress must be at least 5 inches (127mm) below the upper edge of guardrails. Mattress must not exceed the maximum thickness of 7.5 in.

Always use the recommended size mattresses or mattress supports, or both, to help prevent the likelihood of entrapment or falls

The use of a water or sleep flotation mattress is prohibited.

Replacement parts, including additional guardrails, may be obtained from any of Walker Edison Furniture Company's dealers or by contacting us online at www.walkerredison.com.

DO NOT use substitute parts. Contact the manufacturer or dealer for replacement parts.

Always use guardrails on both long sides of the upper bunk.
If the bunk bed will be placed next to a wall, the guardrail that runs the full length of the bed should be placed against the wall to prevent entrapment between the bed and the wall.

Periodically check and ensure that the guardrail, ladder and other components are in their proper position, free from damage, and that all connectors are tight.

Always use the ladder for entering and leaving the upper bunk.

DO NOT allow children under 6 years of age to use the upper bunk.

DO NOT allow horseplay on or under the bed. Prohibit jumping on the bed.

Prohibit more than one person on the upper bunk.

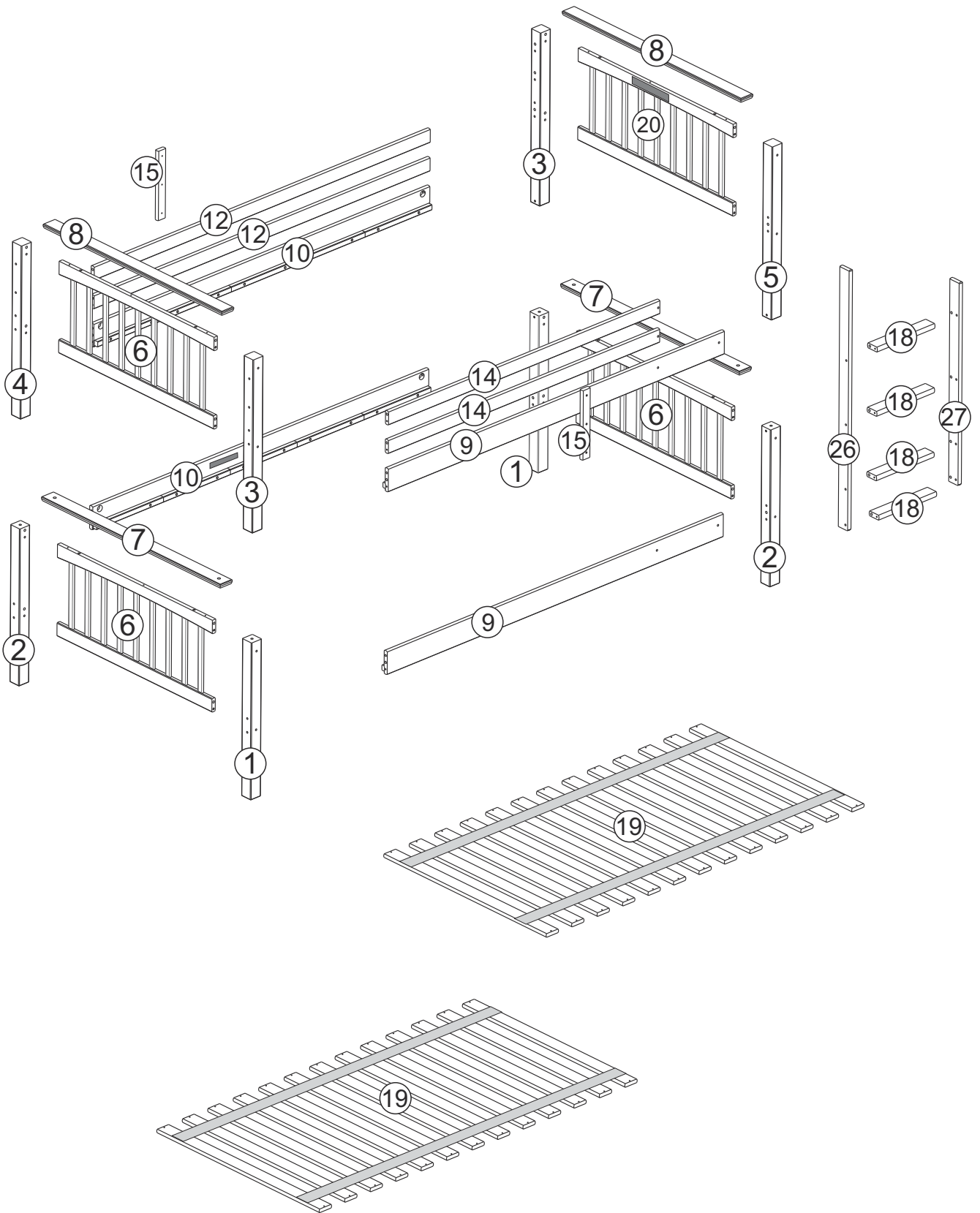
The use of a night light may provide an added safety precaution for a child using the upper bunk.

STRANGULATION HAZARD – Never attach or hang items to any part of the bunk bed that are not designed for use with the bed. For example, but not limited to hooks, belts or jump ropes.

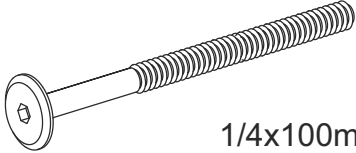
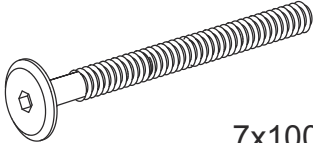
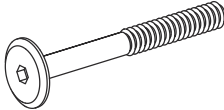
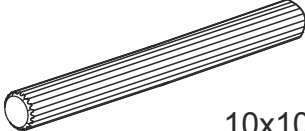

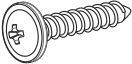
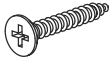
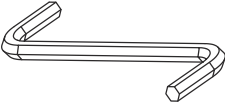

When using this item in the bunk bed configuration, use bed with the warning stickers as the bottom bunk.

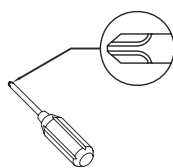
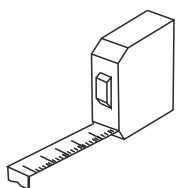
Keep these instructions for future reference.

Parts List



Hardware List

Ref.		Qty.
A	 1/4x100mm	08
B	 7x100mm	30
C	 7x50mm	14
D	 10x100mm	04
E	 10x40mm	46
G	 4,0x50mm	12
H	 4,0x30mm	66
K	 Hex Key	01
L	 NUT	08



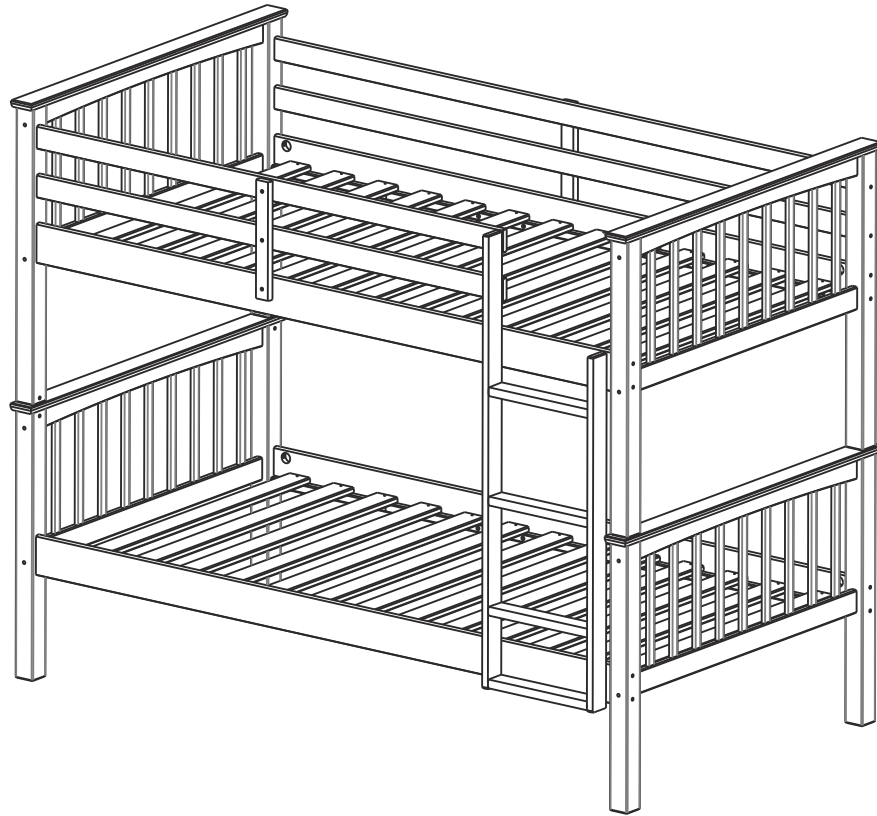
Philips head screwdriver required for assembly
(not included)

*The hardware quantities listed above are required for proper assembly.
Some extra hardware may also have been included.*

Assembly Options

Option A

Twin over Twin Bunk Bed

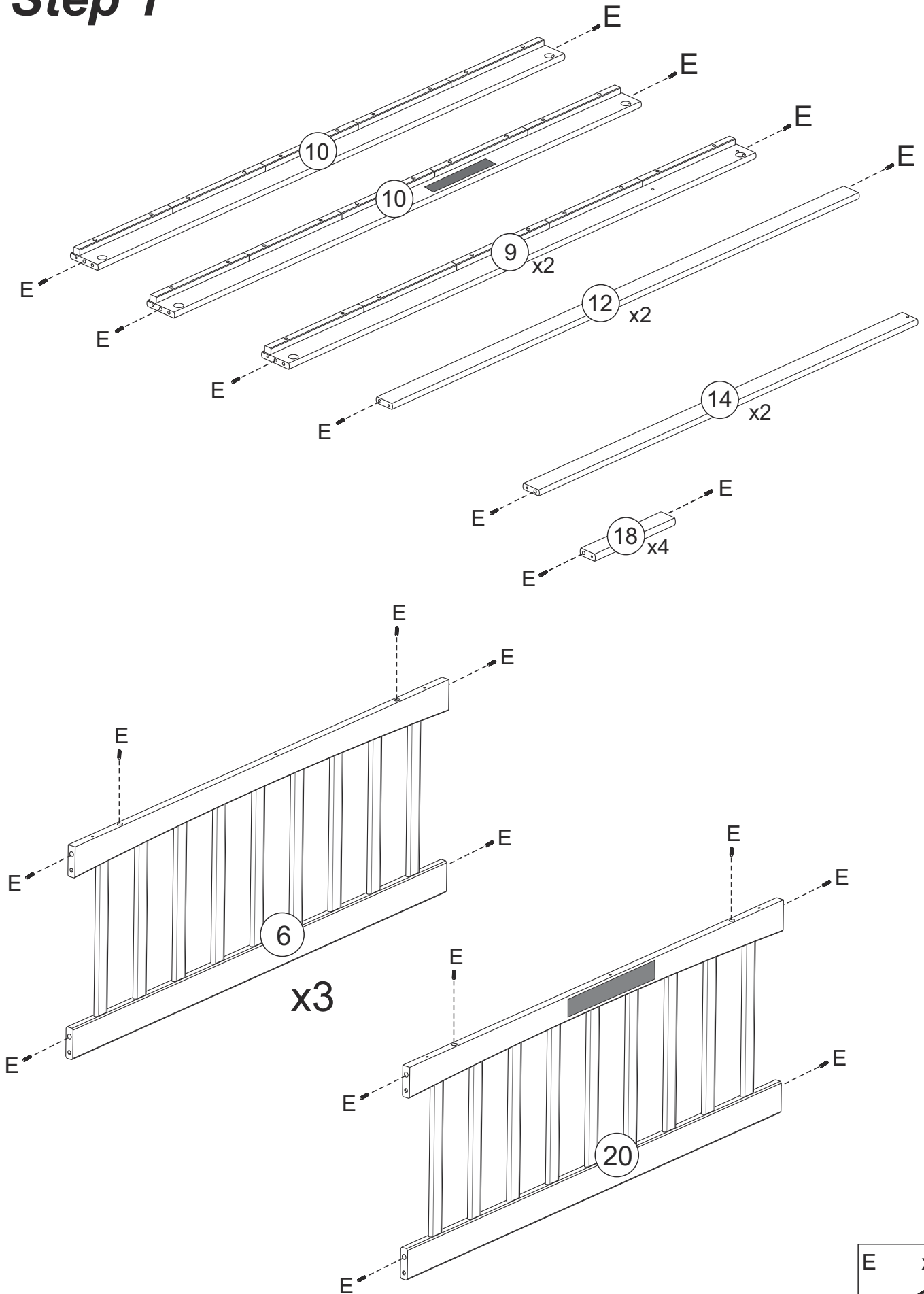


Option B

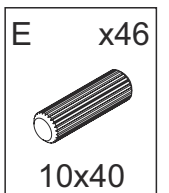
Conversion into
Two Single Twin Beds



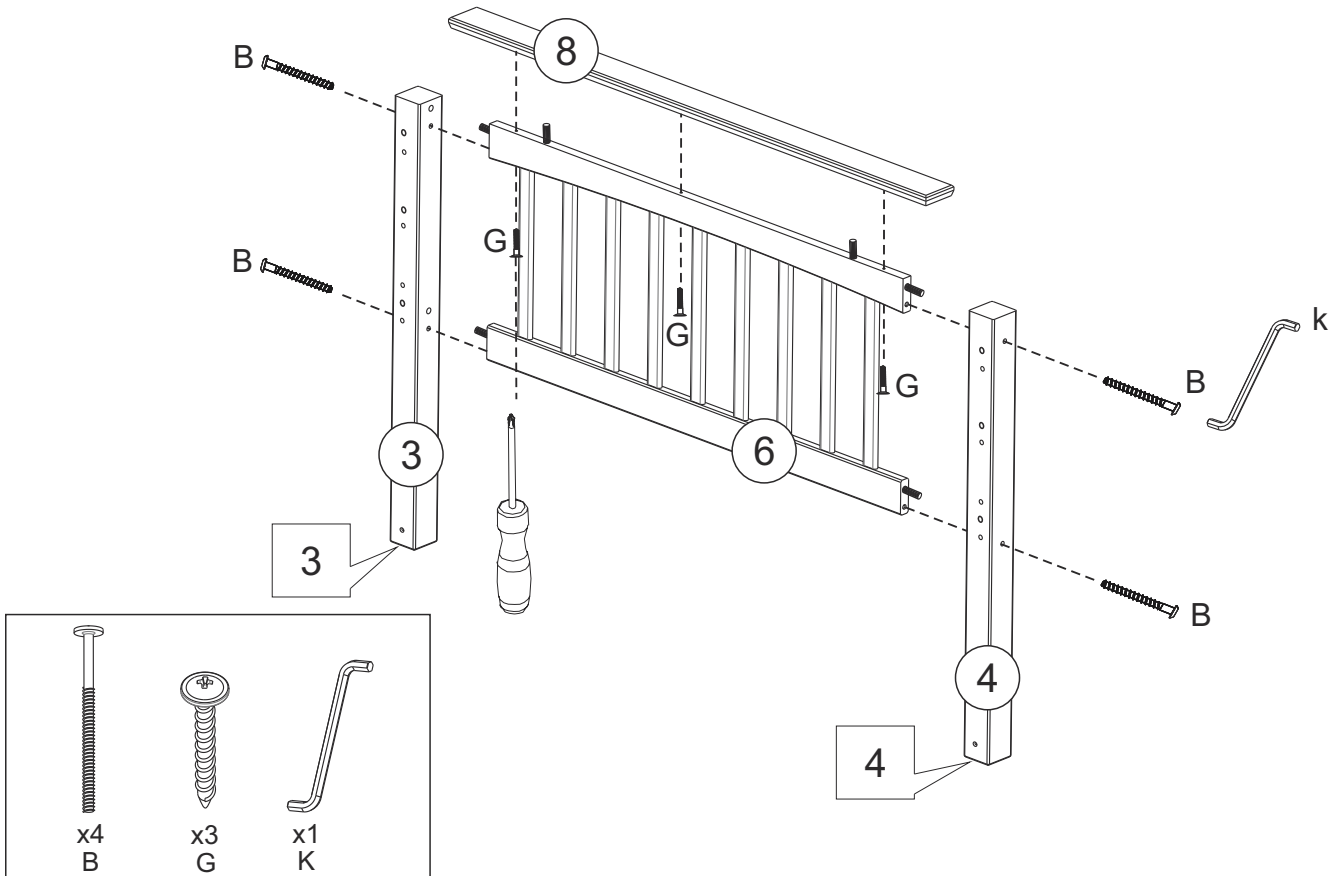
Step 1



Insert wooden dowel (E) in parts (6, 9, 10, 11, 12, 14, 18, 20)

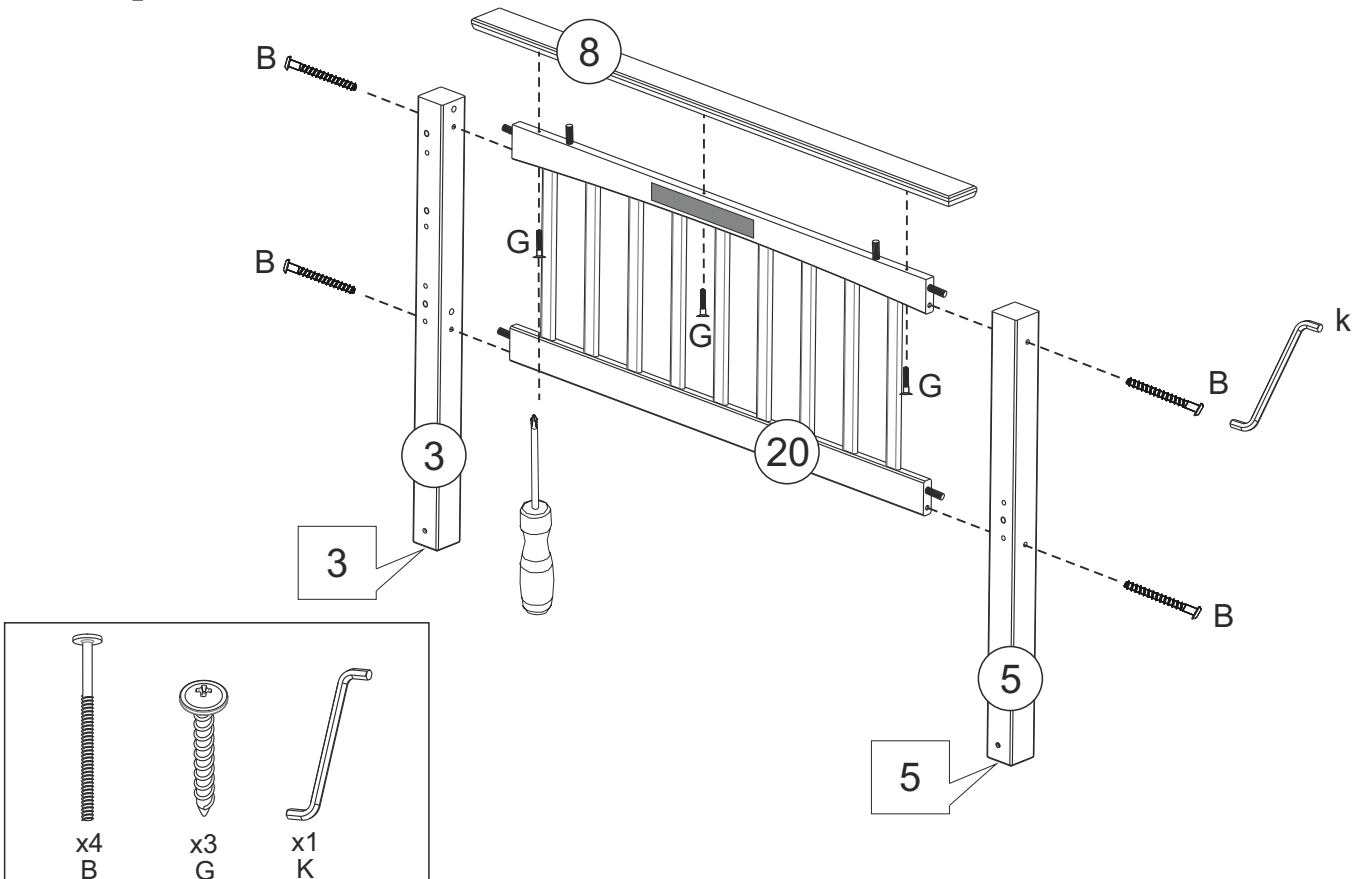


Step 2



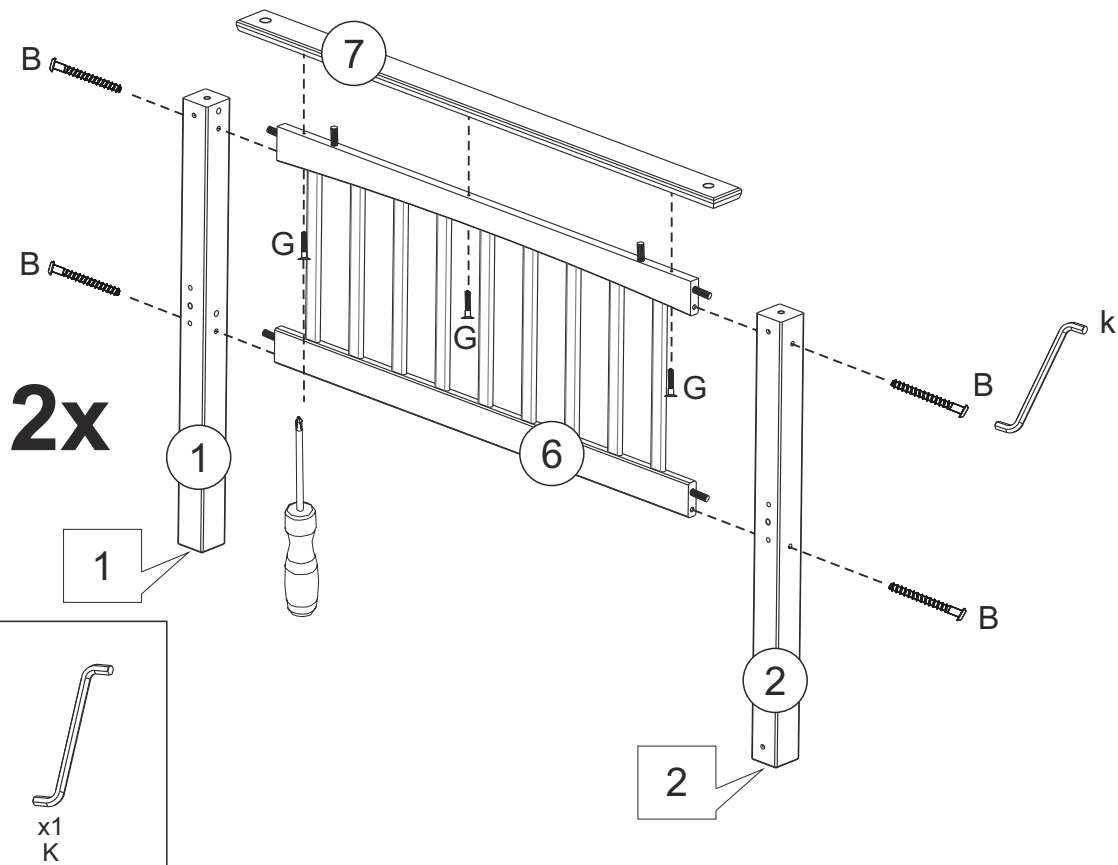
Use Hex key (K) to attach parts (3, 4, 6, 8) together using screw (G) and bolt (B)

Step 3



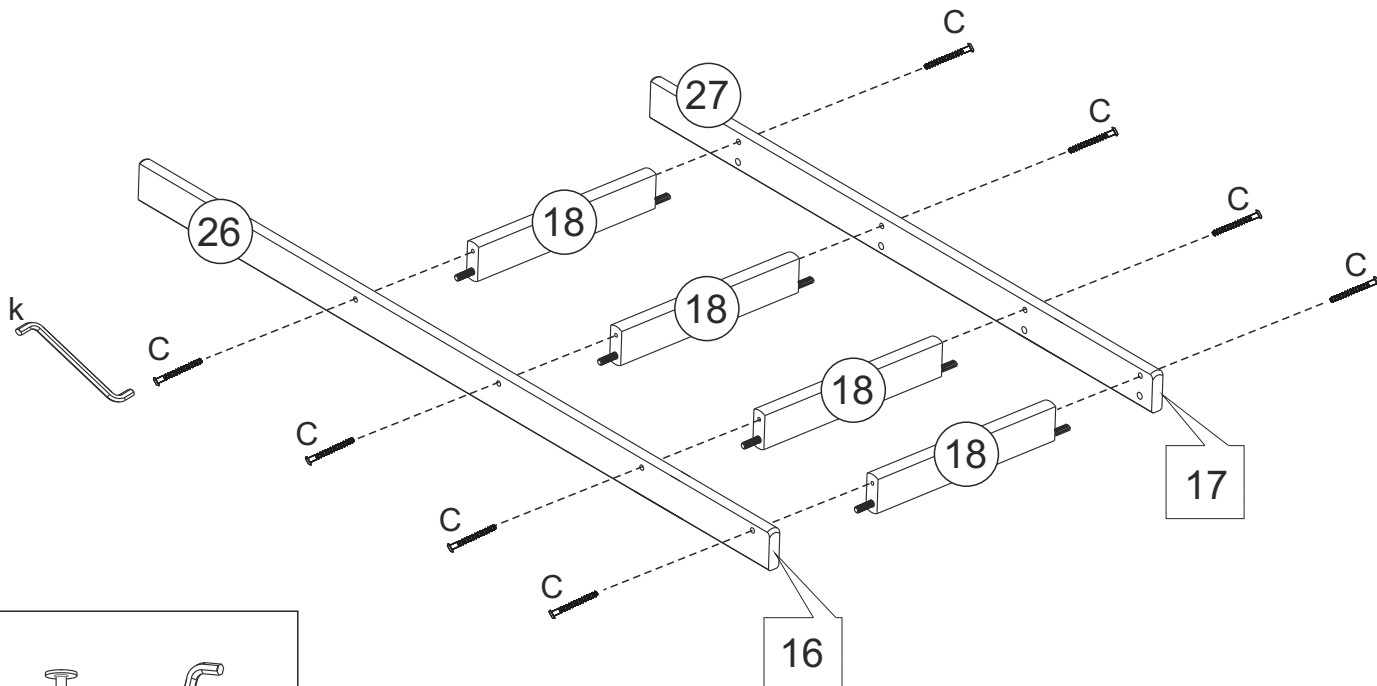
Use Hex key (K) to attach parts (3, 5, 8, 20) together using screw (G) and bolt (B)

Step 4



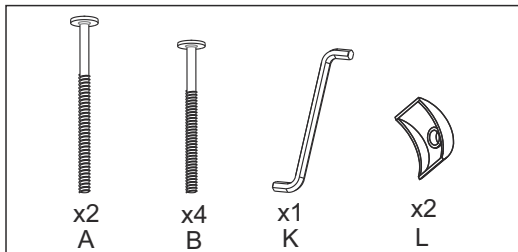
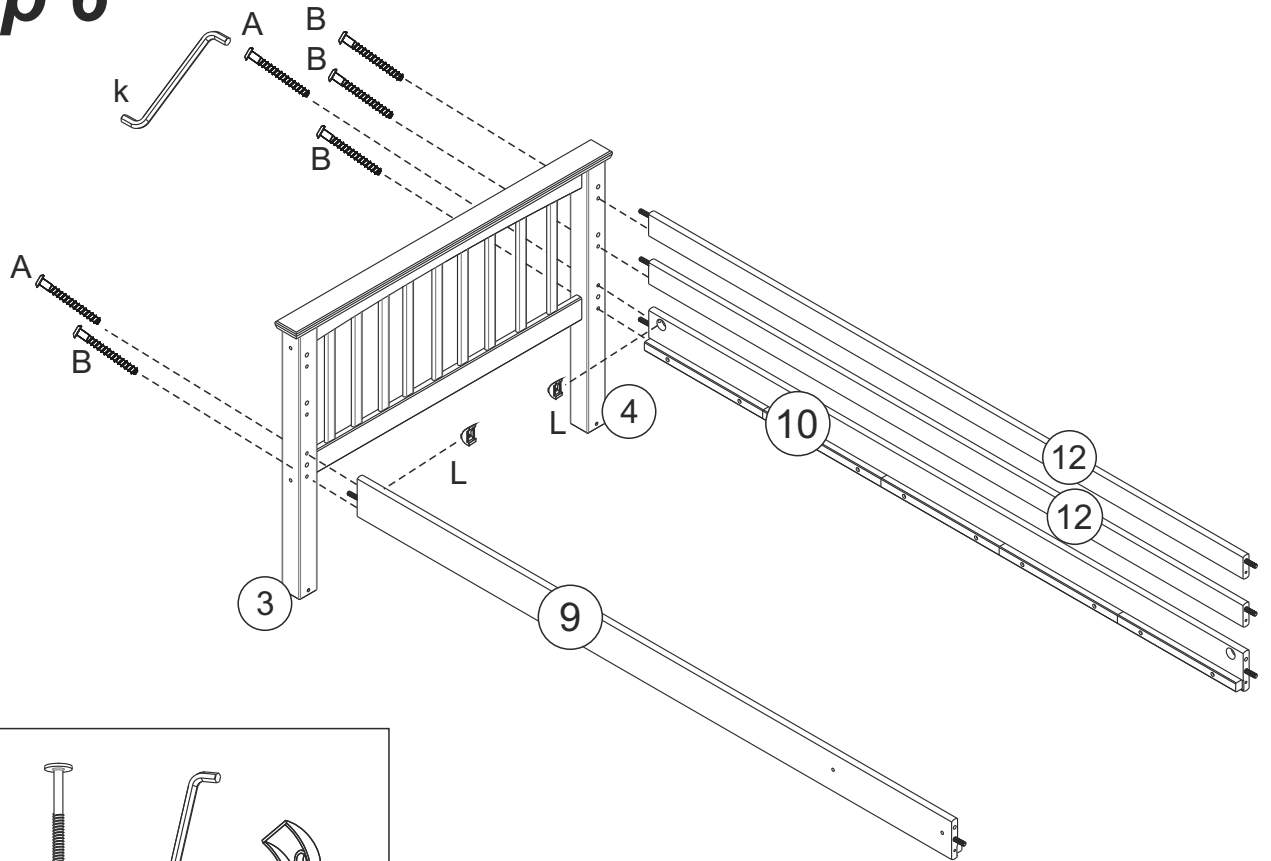
Use Hex key (K) to attach parts (1, 2, 6, 7) together using screw (G) and bolt (B).
Do this step twice.

Step 5



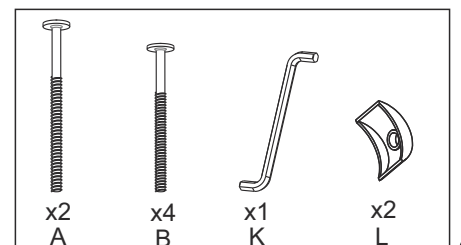
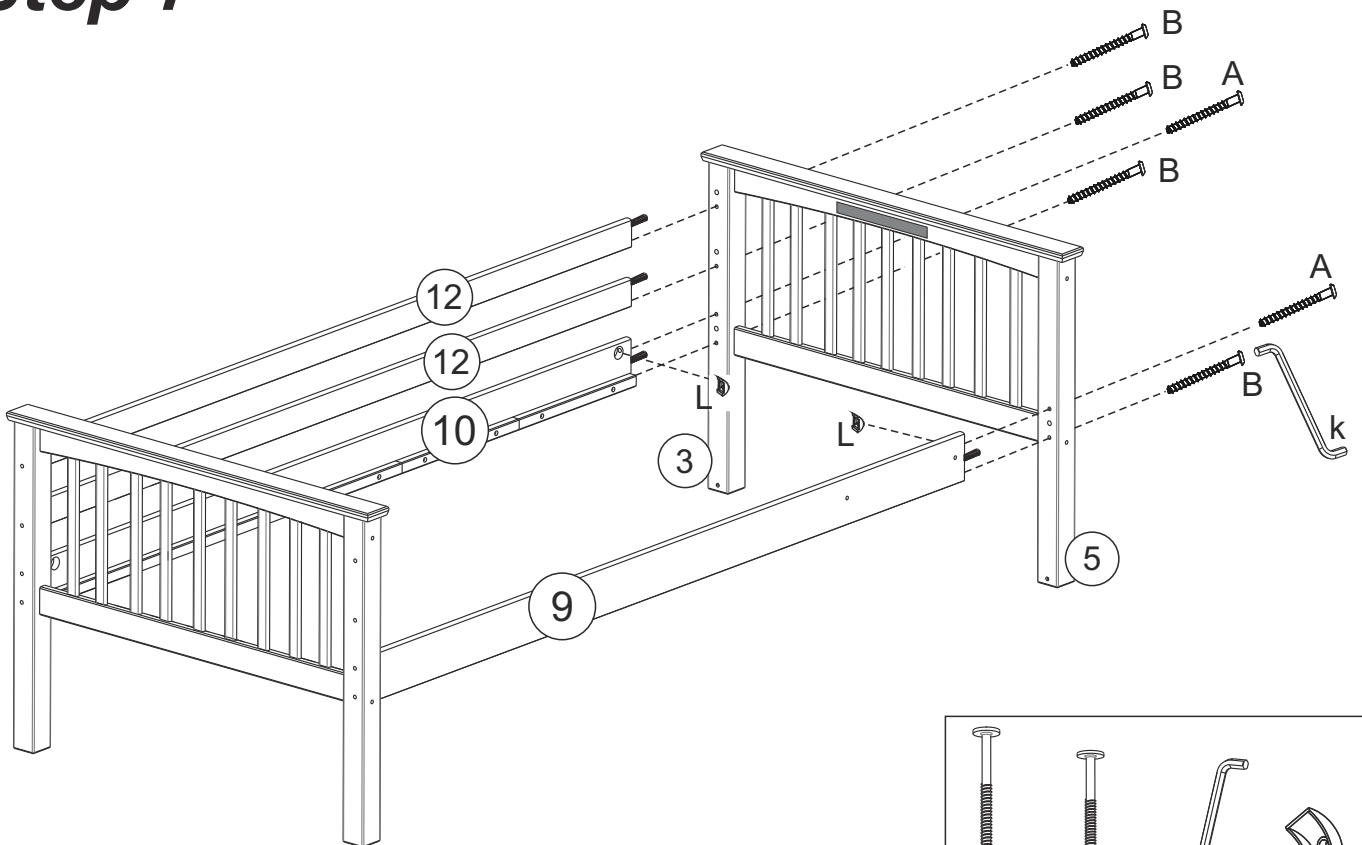
Use Hex key (K) and bolt (C) to attach parts (16, 17) to parts (18).

Step 6



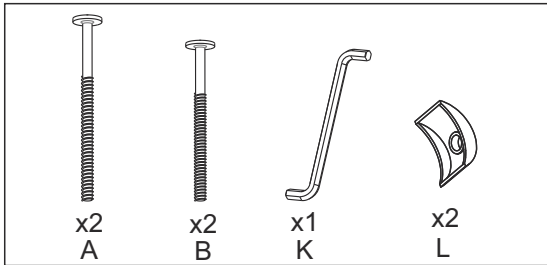
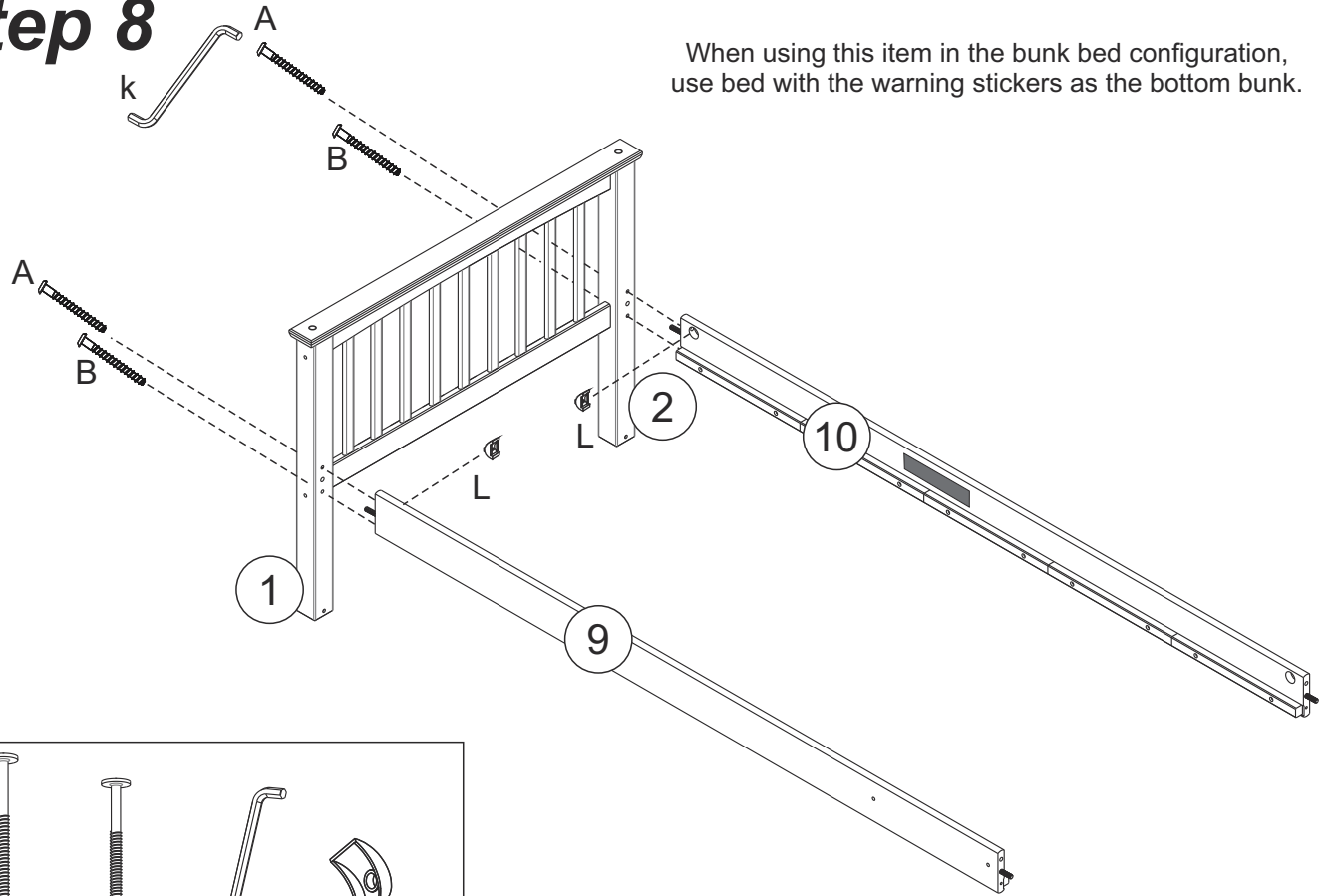
Use bolts (A, B), Nut (L) and Hex Key (L) to attach leg (3) to part (9), and leg (4) to parts (11, 12)

Step 7



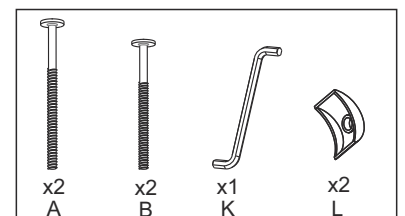
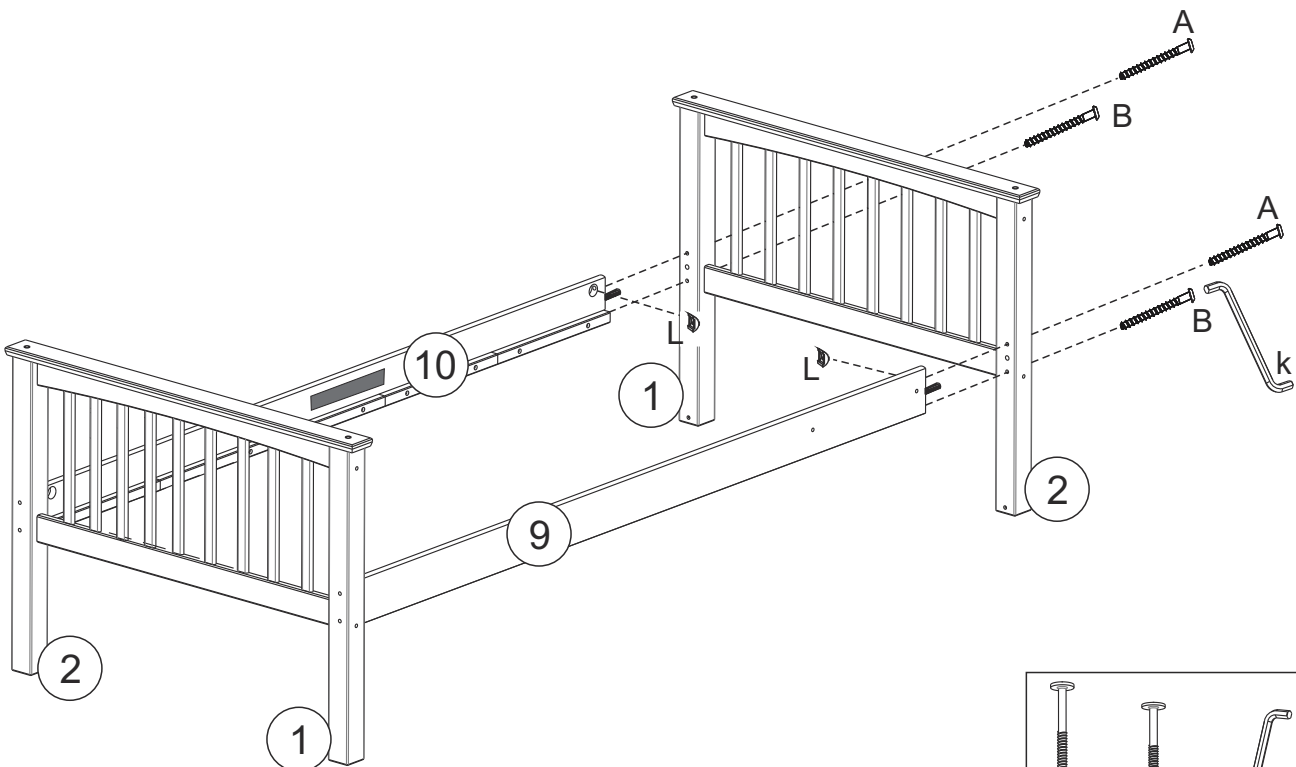
Use bolts (A, B), Nut (L) and Hex Key (L) to attach leg (3) to parts (11, 12), and leg (5) to part (9)

Step 8



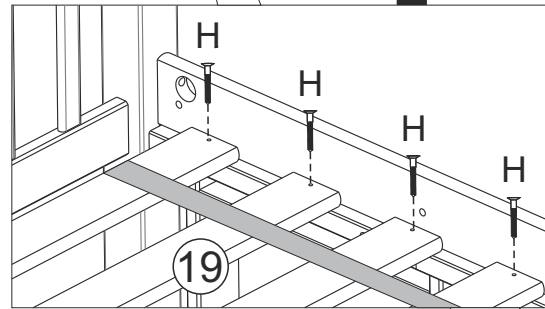
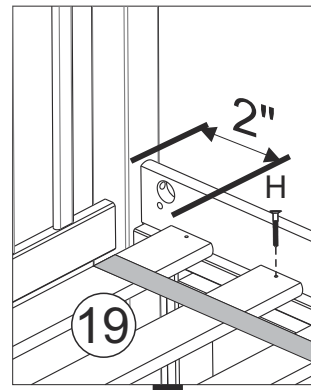
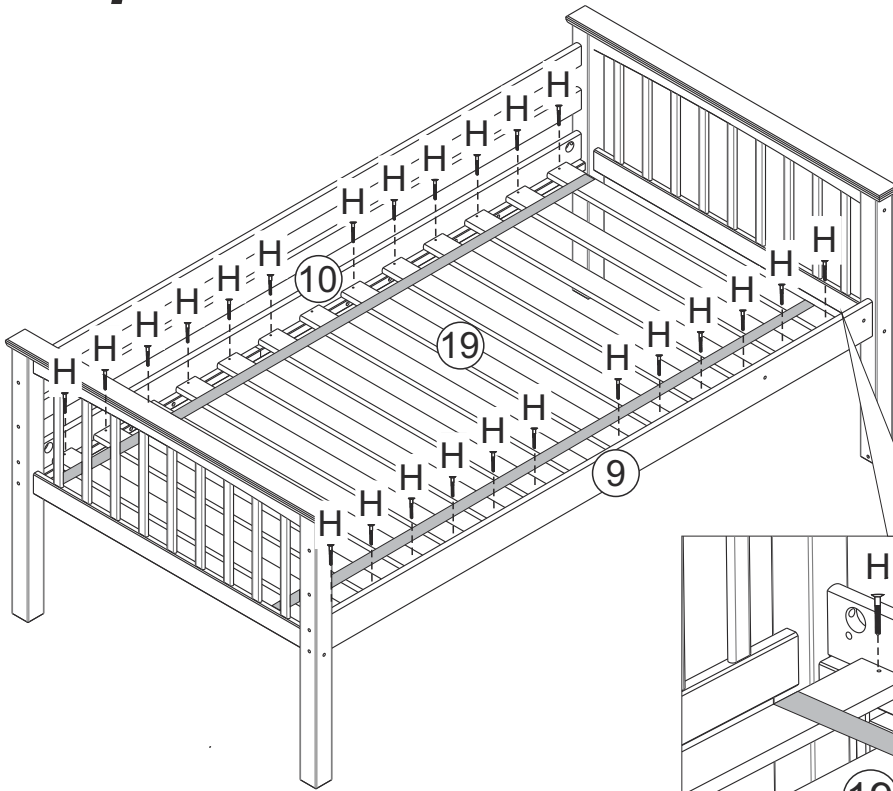
Use bolts (A, B), Nut (L) and Hex Key (K) to attach leg (1) to parts (9), and leg (2) to part (10).

Step 9

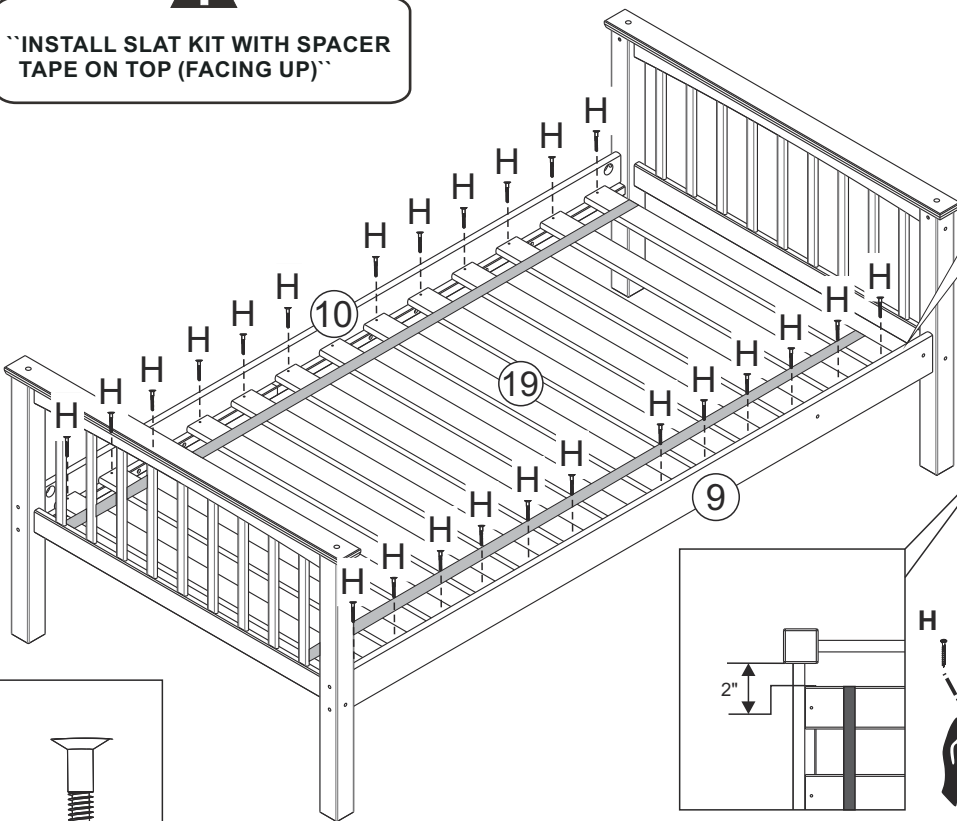


Use bolts (A, B), Nut (L) and Hex Key (K) to attach leg (1) to parts (10), and leg (2) to part (9).

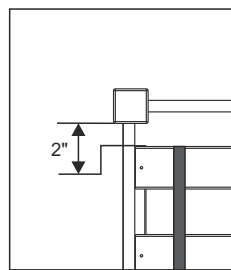
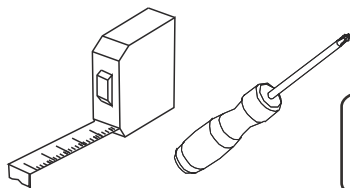
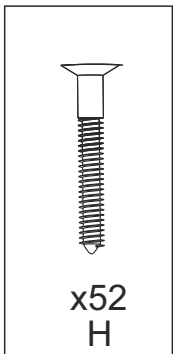
Step 10



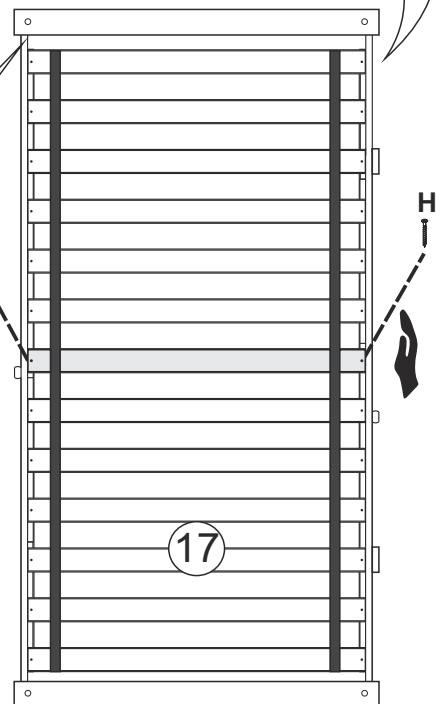
! "INSTALL SLAT KIT WITH SPACER TAPE ON TOP (FACING UP)"



Pressure can be applied to cross beams (9,10, 11) to ensure that mattress supports (17) fit evenly between cross beams

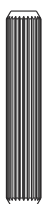
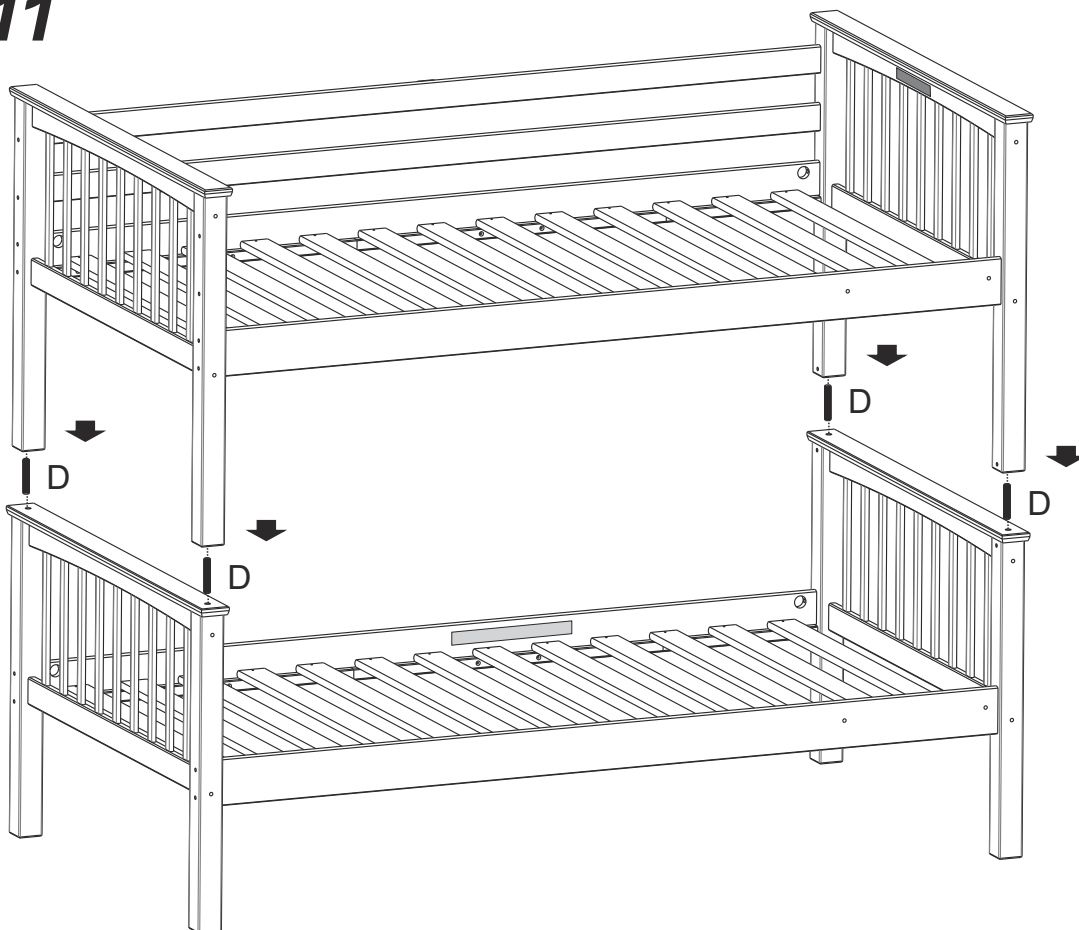


! The first slat must be fixed at 2" from each headboard end.



Use screws (H), to attach mattress supports (19) to bed frame

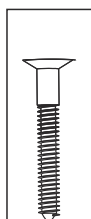
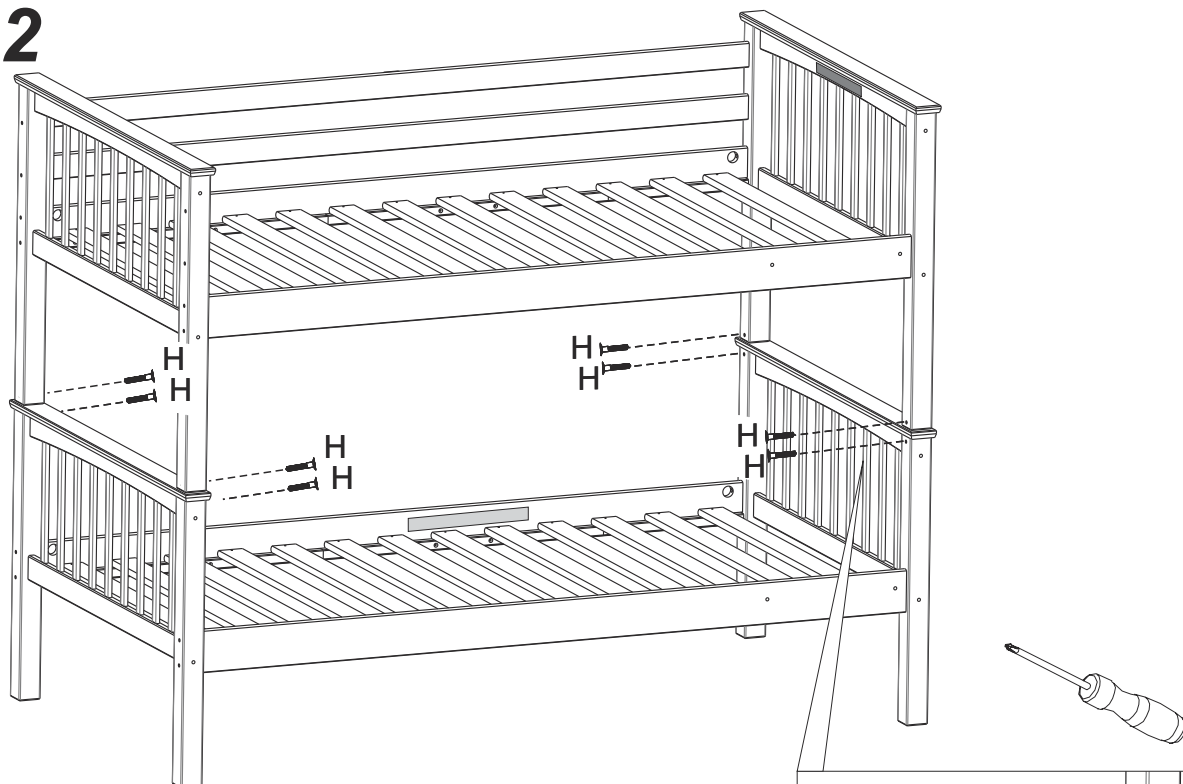
Step 11



x4
D

Attach the top bunk to the bottom bunk using wooden dowel (D).

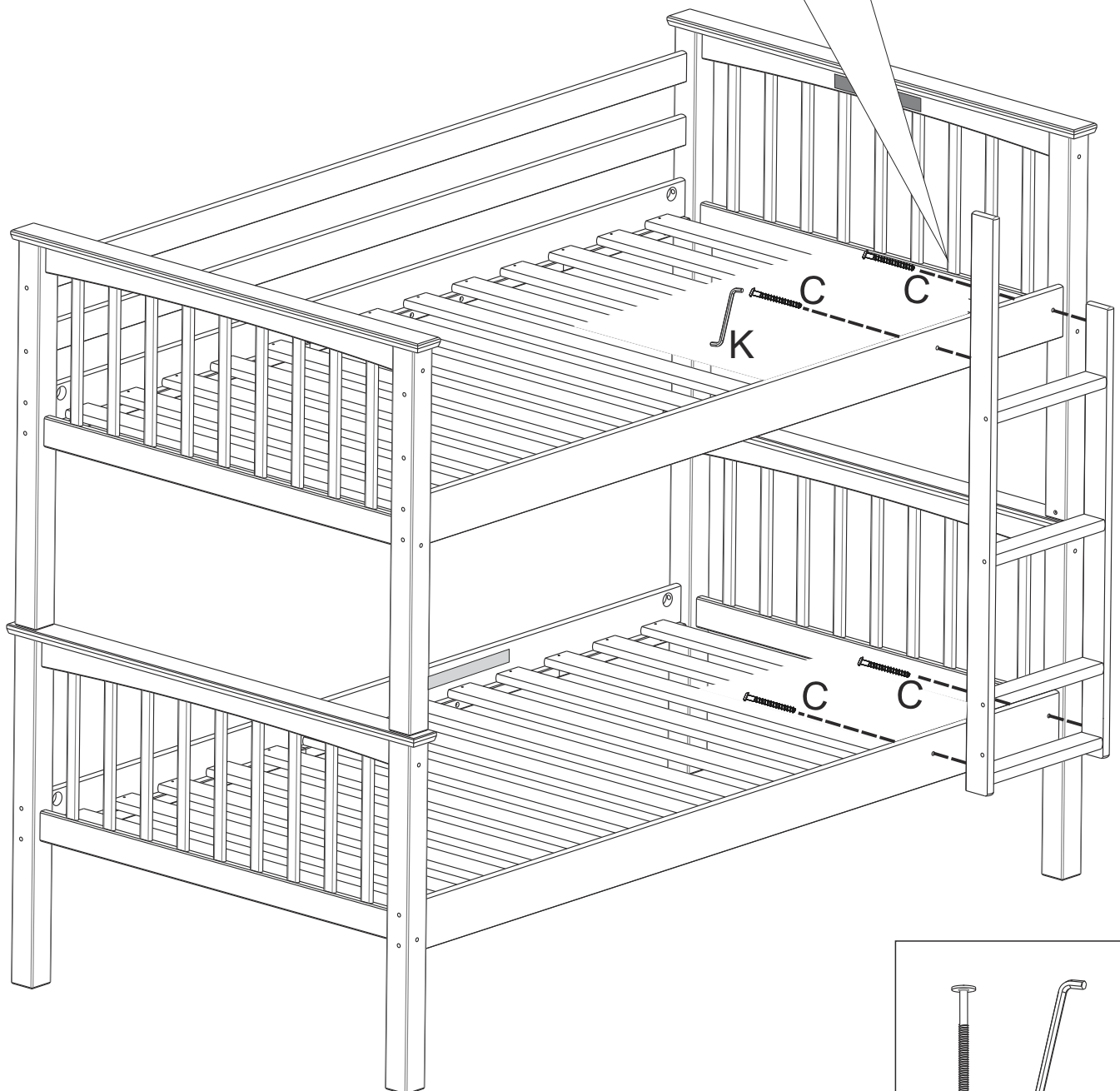
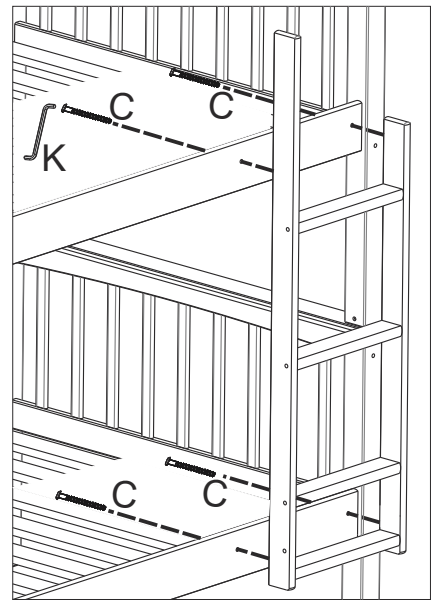
Step 12



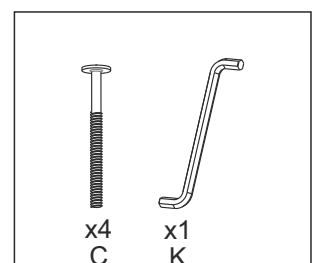
x08
H

Use screw (H) to secure top bunk to bottom bunk.

Step 13



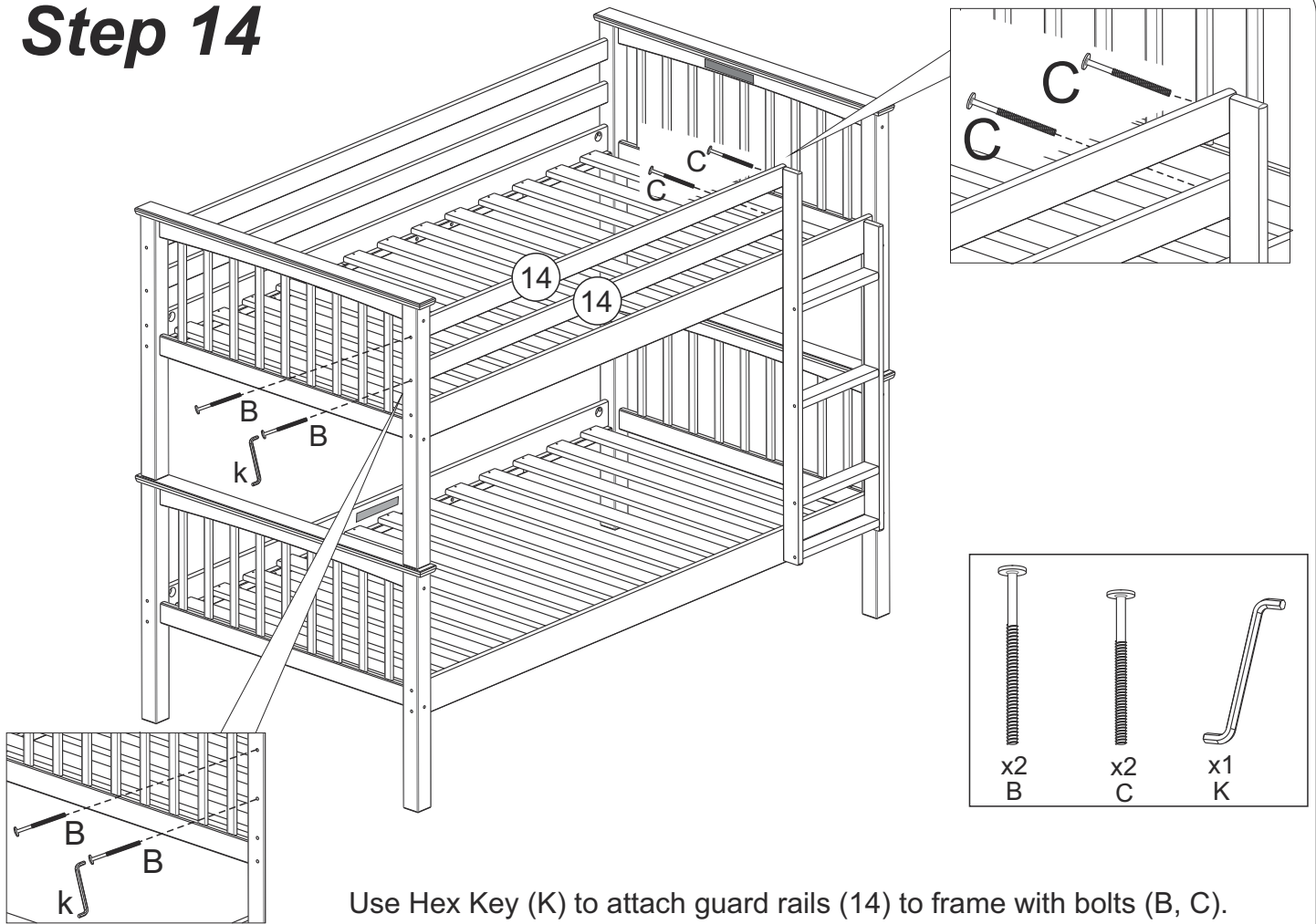
Use Hex Key (K) and Bolt (C) to attach ladder to the side of bunk bed frame.



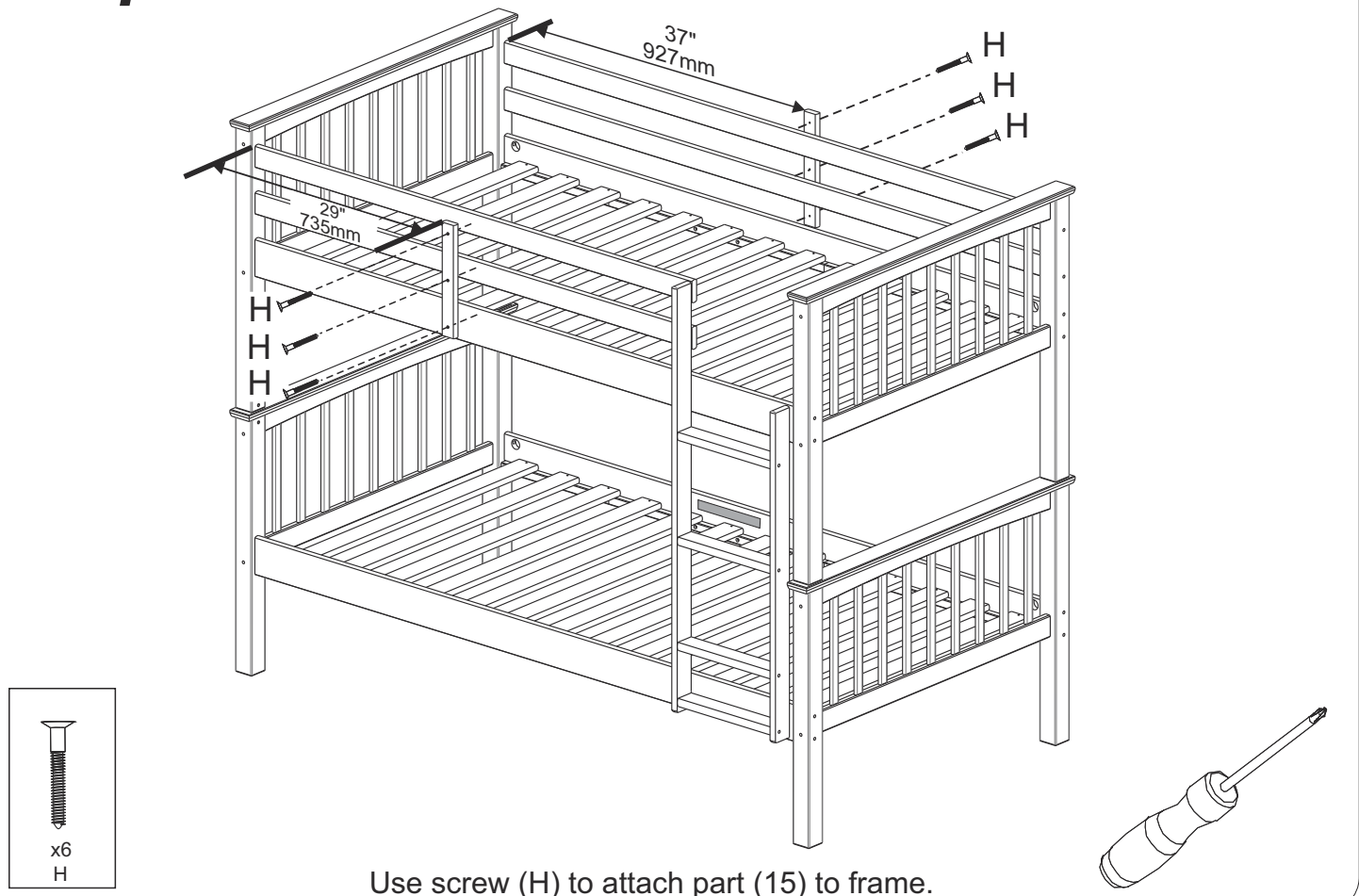
x4
C

x1
K

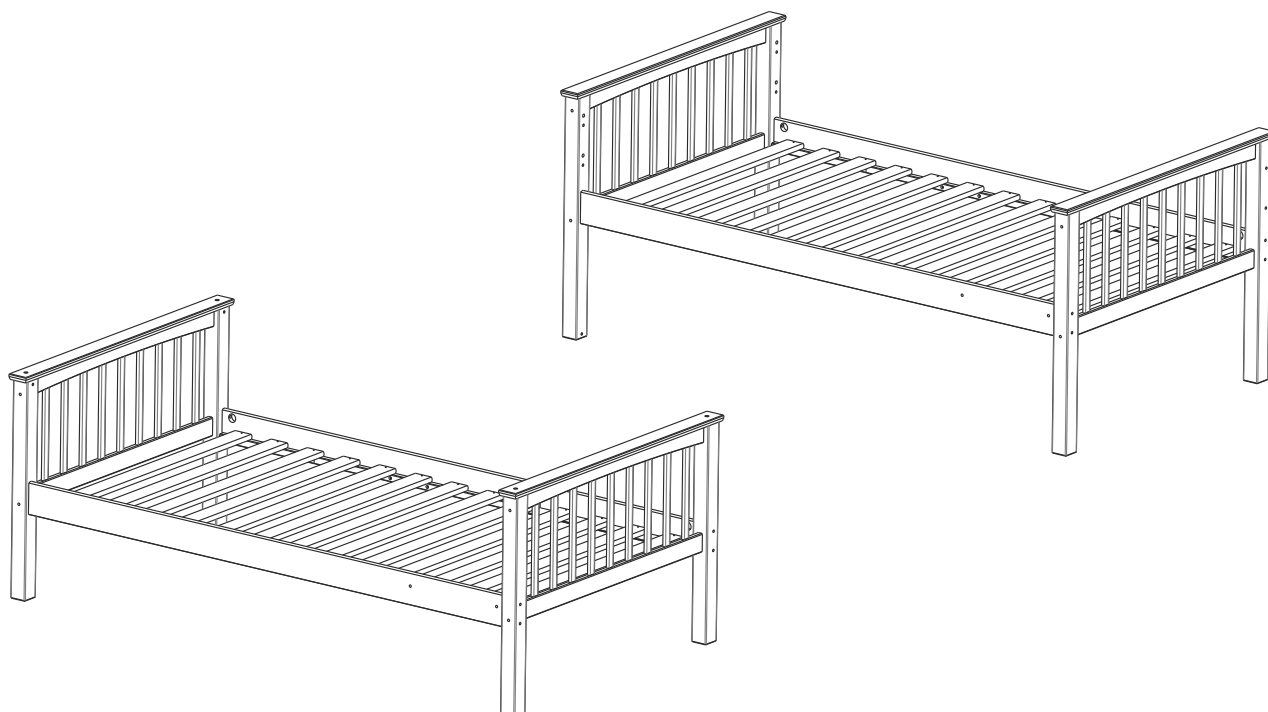
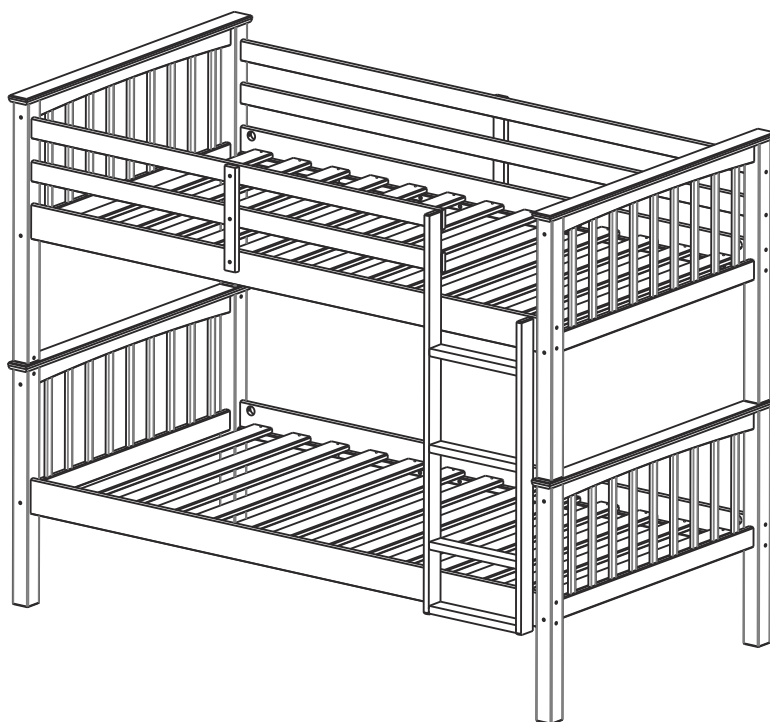
Step 14



Step 15



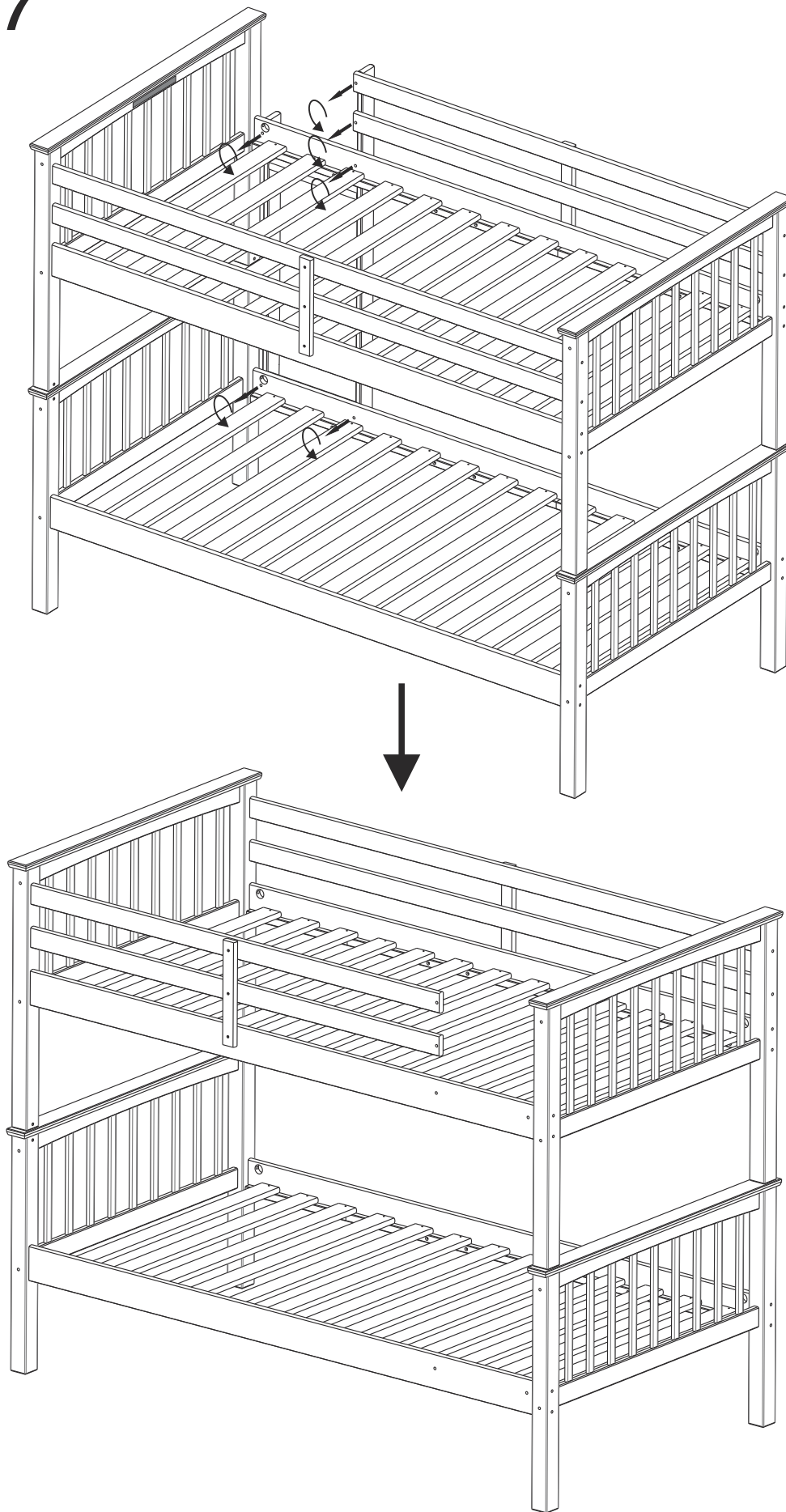
Step 16



Option B

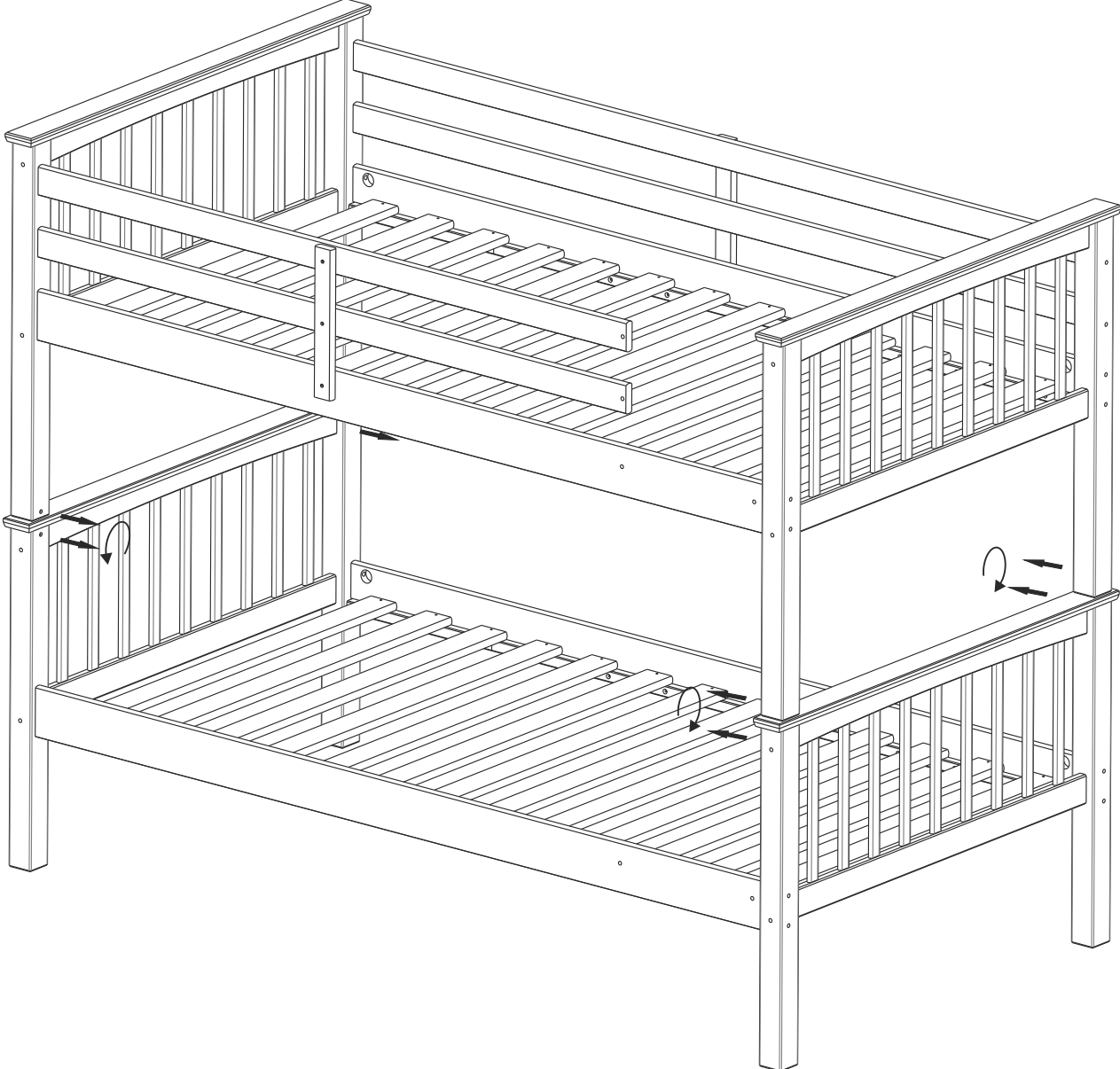
Conversion into Two Single Twin Beds

Step 17

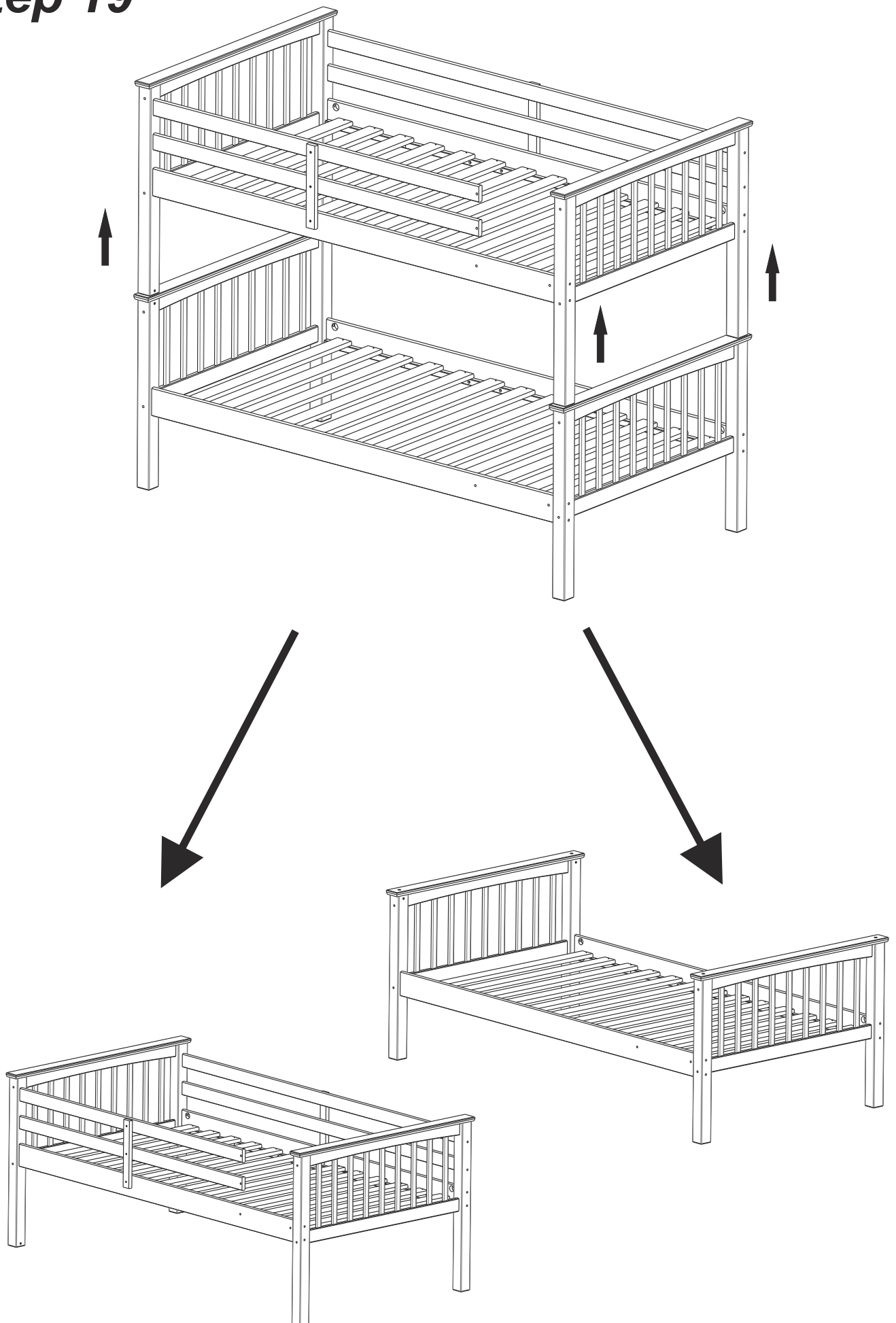


Loosen the appropriate hardware and remove the ladder from the bunk bed assembly.

Step 18

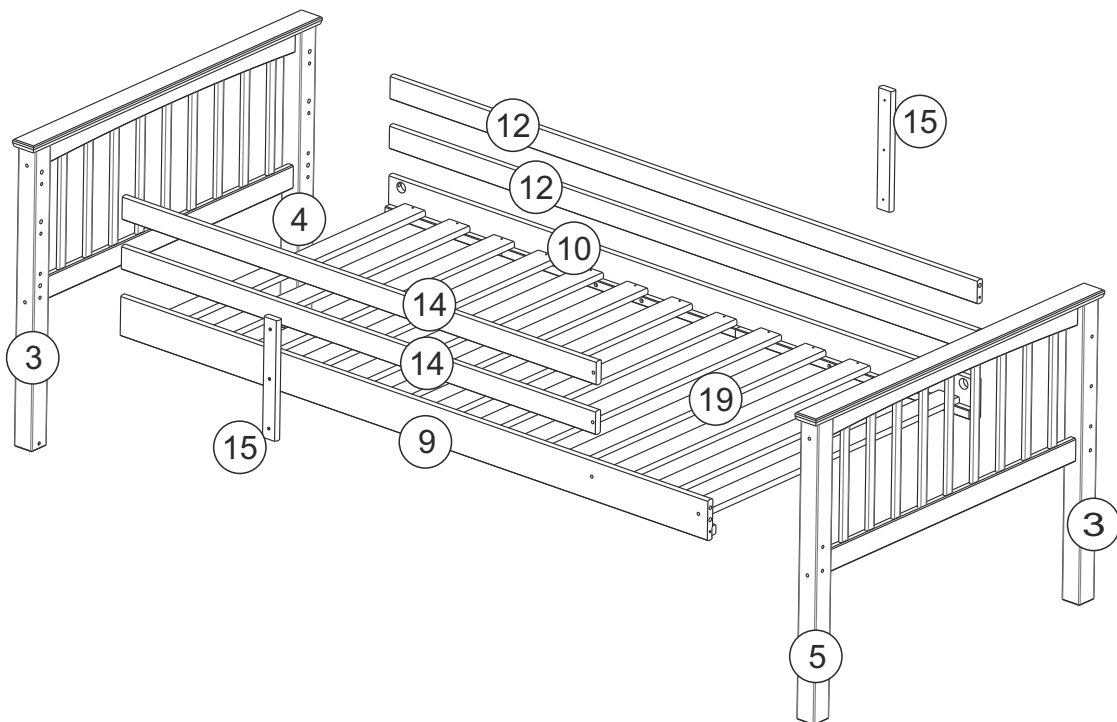
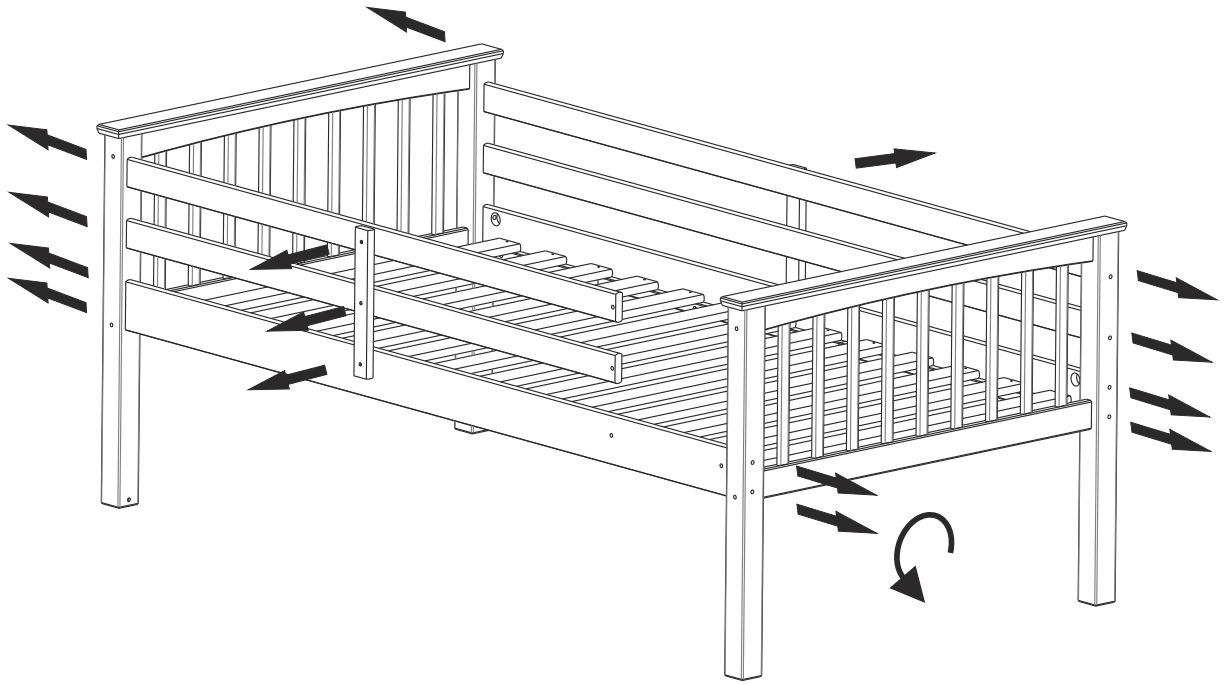


Step 19



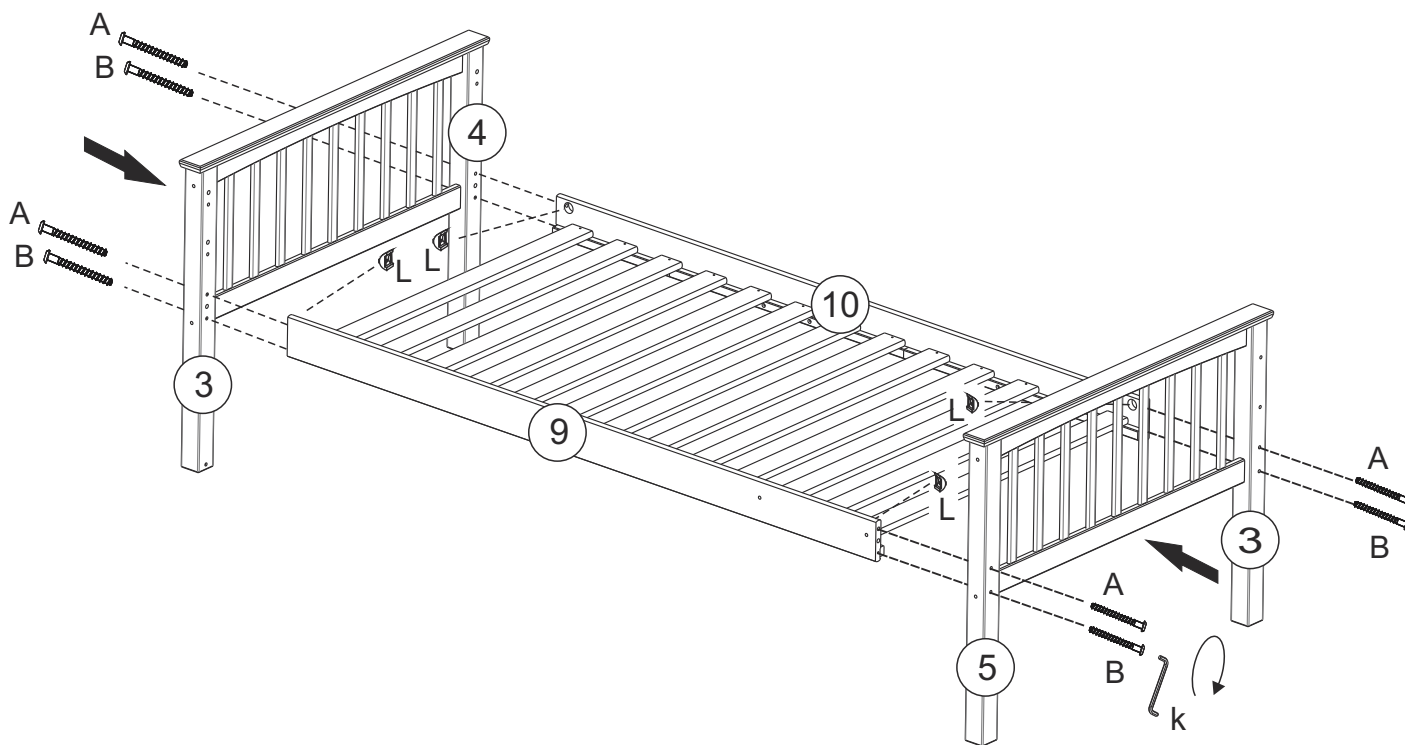
Carefully lift the upper bunk off of the lower bunk.

Step 20

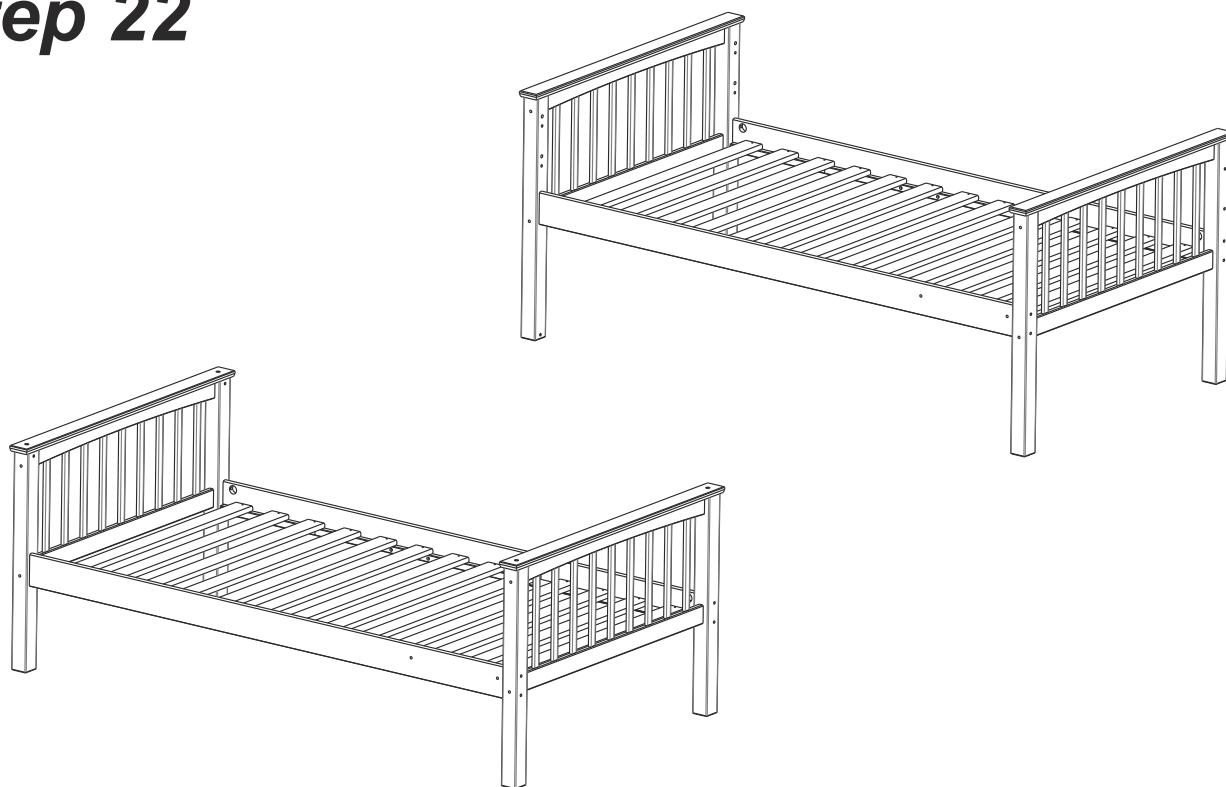


Loosen the appropriate hardware of the upper bunk so that the guardrails and leg assemblies are no longer connected to the bed assembly.

Step 21



Step 22



Option B
Final Assembly