

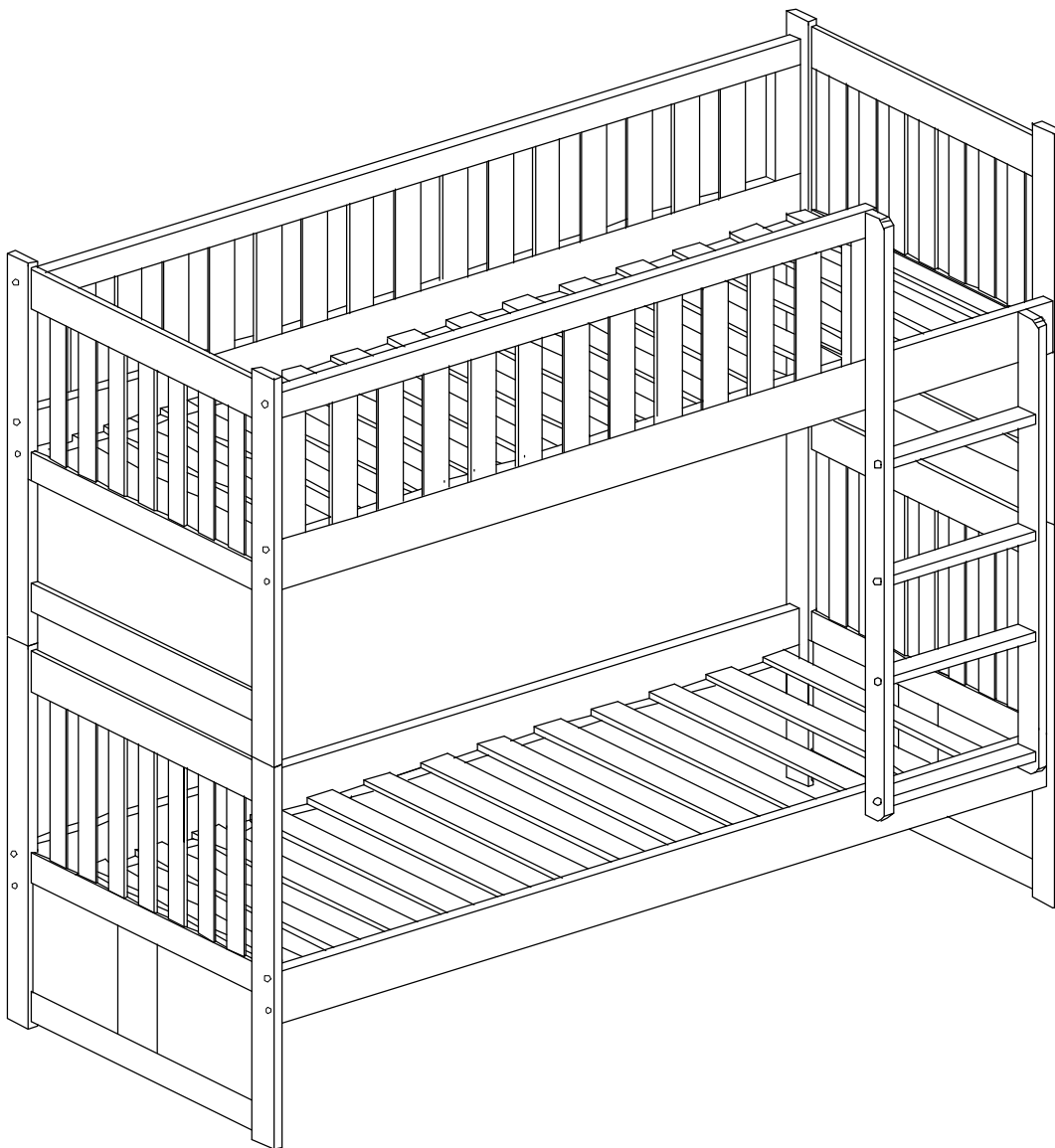
ASSEMBLY INSTRUCTION

TWIN/TWIN BUNK BED





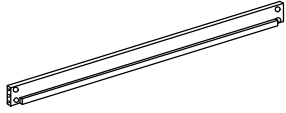
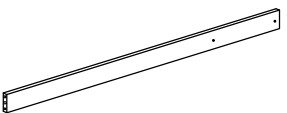
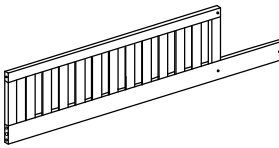
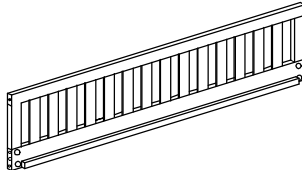

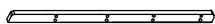

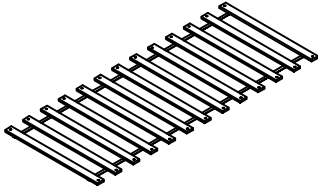
Follow the information on the warning appearing on the upper bunk end structure and on the carton.

Do not remove warning label from bed.

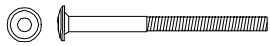


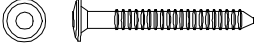



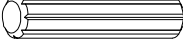

The user of water or sleep flotation mattresses is prohibited.



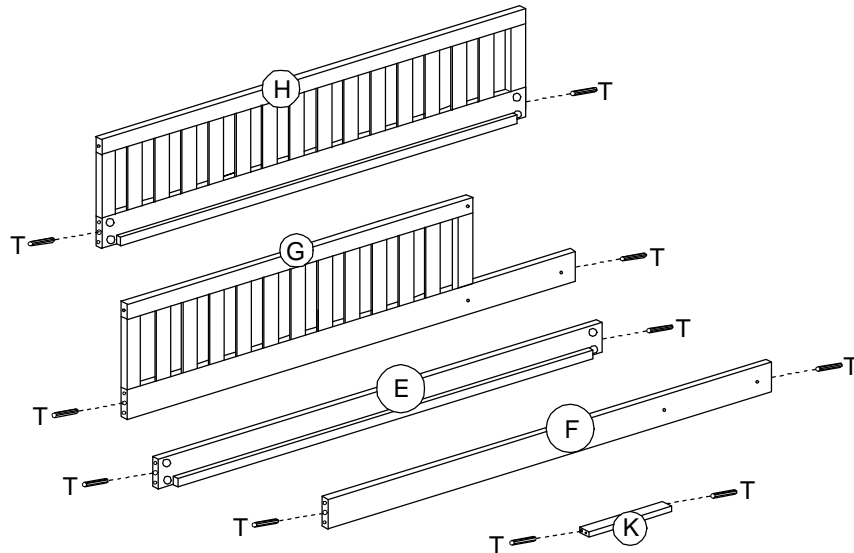
Component List

A Lower Twin Board-LSF  1PC	B Lower Twin Board-RSF  1PC	C Upper Twin Board-LSF  1PC	D Upper Twin Board-RSF  1PC
E Bottom Back Side Rail (No Hole)  1PC	F Bottom Front Side Rail  1PC	G Upper Front Guard Rail  1PC	H Upper Back Guard Rail  1PC
I Ladder Post-LSF  1PC	J Ladder Post-RSF  1PC	K Ladder Step  4PCS	L Upper / Lower Twin Slats  2SETS(13PCS/SET)

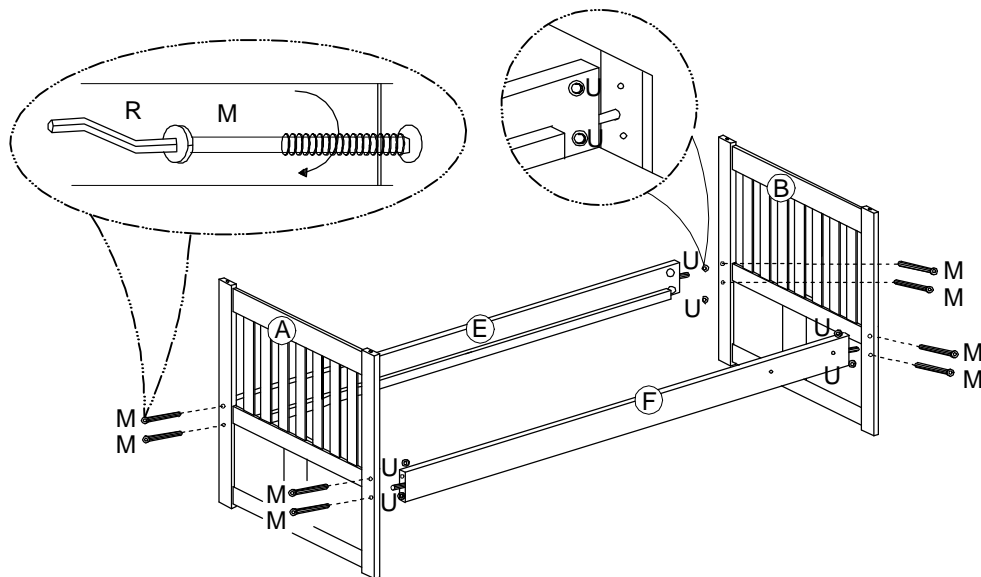
Hardware List

M Bolt 1/4" x 3 3/16"  16PCS	N Bolt 1/4" x 3 1/8"  3PCS	O Bolt 1/4" x 2 3/8"  8PCS	P Bolt 1/4" x 2"  5PCS
Q Screw 5/32" x 1 3/8"  52PCS	R Allen Key M4 x 2 3/8" x 1" x 1"  1PC	S Pin Ø1/2" x 3 1/2"  4PCS	T Wood Dowel Ø10 x 1 3/4"  16PCS
U Washer 1/4" x 7/8" x 1/2" x 3/8"  16PCS	<p>This page lists all the contents included in the box. Please take the time to identify the hardware as well as the individual components to this product. As you unpack and prepare for assembly, place the contents on a carpeted or padded area to protect them from damage.</p>		

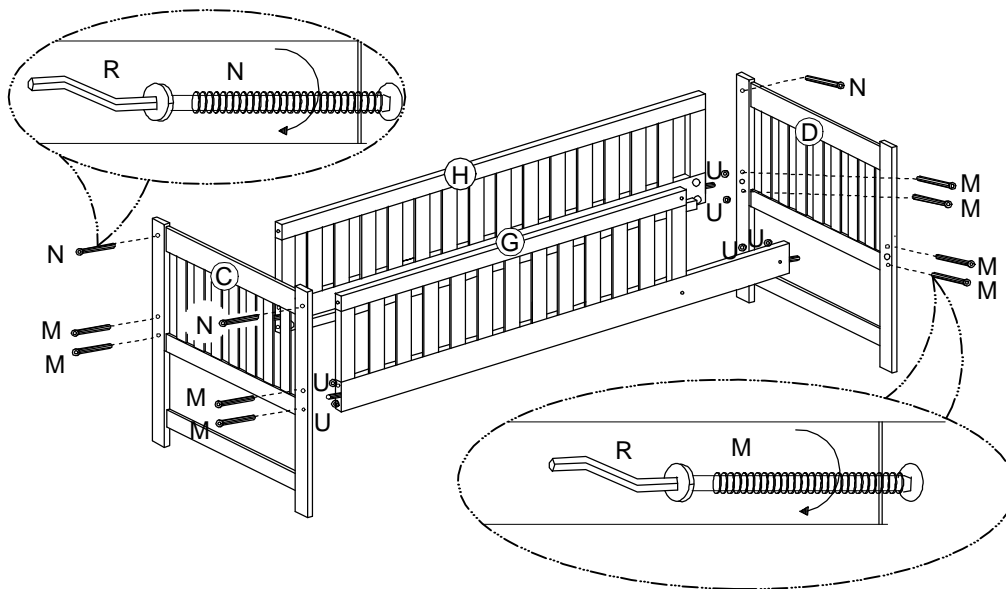
1 Insert wood dowel (T) to the holes as shown in the drawings.



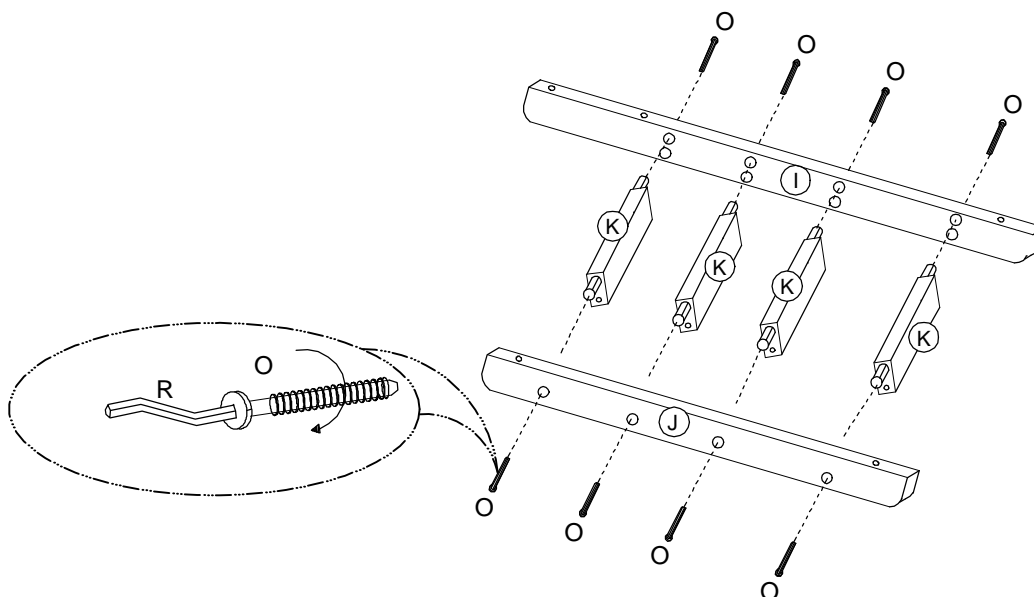
2 Join the bottom back side rail (no hole) (E) & bottom front side rail (F) to lower twin board-LSF (A) and lower twin board-RSF (B) with bolt (M) and washer (U).



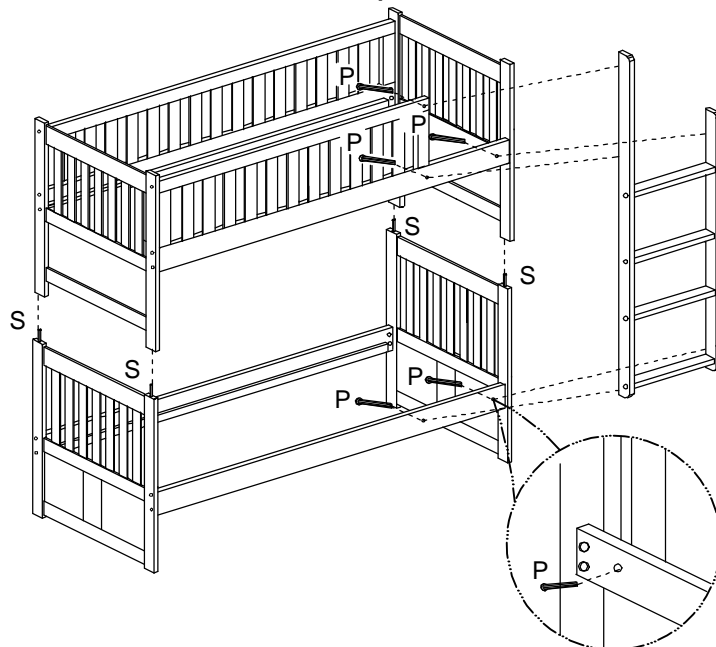
- 3** Attach the upper front guard rail (G) and upper back guard rail (H) with upper twin board-LSF (C) and upper twin board-RSF (D) by using bolt (M), washer (U) and bolt (N). After that tighten bolts by allen key (R).



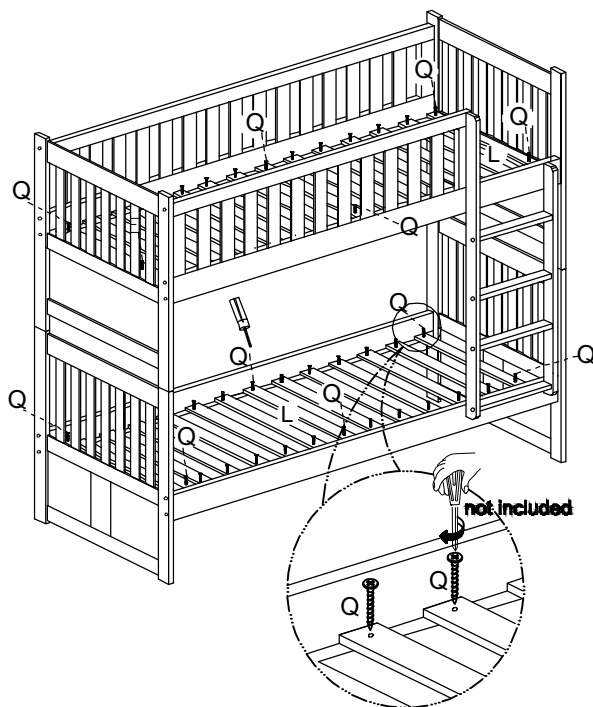
- 4** Attach the ladder steps (K) with ladder post-LSF (I) and ladder post-RSF (J) by using bolt (O) and allen key (R).



- 5** Attach 4 pcs pin (S) into the holes joining bed. Attach the upper bed with lower bed as below the picture. Attach the ladder with bolt (P) and tighten bolts by allen key (R) from inside of the bunk bed as the below picture.



- 6** Put upper/lower twin slats (L) for each of bed and use screws (Q) and tighten all slats by screwdriver (not provide) as below picture.



IMPORTANT NOTICE

IMPORTANT NOTICE

-For Twin/Full bunk bed :

Use only mattress which is 74" long and 38" wide on upper bunk.

Use only mattress which is 74" long and 54" wide on lower bunk.

-For Twin/Twin bunk bed :

Use only mattress which is 74" long and 38" wide on upper bunk.

Use only mattress which is 74" long and 38" wide on lower bunk.

-Ensure thickness of mattress does not exceed 8" and mattress is at least 5" below upper edge of guardrails.

SAFETY WARNING

-Do Not remove warning label from bed.

-Always use the recommended size mattress or mattress support, or both, to help prevent the likelihood of entrapment or falls.

-Surface of mattress must be at least 5" (127mm) below the upper edge of guardrails.

-Do not allow children under 6 years of age to use the upper bunk.

-Periodically check and ensure that the guardrail, ladder, and other components are in their proper position, free from damage, and that all connectors are tight.

-Do not allow horseplay on or under the bed and prohibit jumping on the bed.

-Always use the ladder for entering and leaving the upper bunk.

-Do not use substitute parts-Contract the manufacturer or dealer for replacement parts.

-Use of night light may provide added safety precaution for a child using the upper bunk.

-Always use guardrails on both long sides of the upper bunk. If the bunk bed will be placed next to the wall, the guardrail that runs the full length of the bed should be placed against the wall to prevent entrapment between the bed and wall.

-The used of water or sleep flotation mattress is prohibited.

STRANGULATION HAZARD

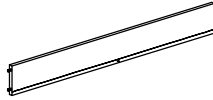
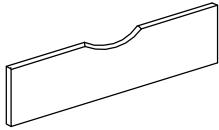
-Never attach or hang items to any part of the bunk bed that are not designed for use with the bed ; for example, but not limited to, hooks, belts, and jump ropes.

-Keep these instructions for future reference.

ASSEMBLY INSTRUCTION

2 PCS STORAGE BOXES WITH CASTERS

- A** Drawer Front Panel **B** Drawer Back Panel **C** Panel With Caster - LSF **D** Panel With Caster - RSF



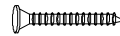
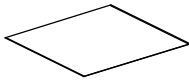
2 PCS

2 PCS

2 PCS

2 PCS

- E** Drawer Bottom Panel **F** Center Support Bar **G** Screw 5/32"x 1 3/8 "

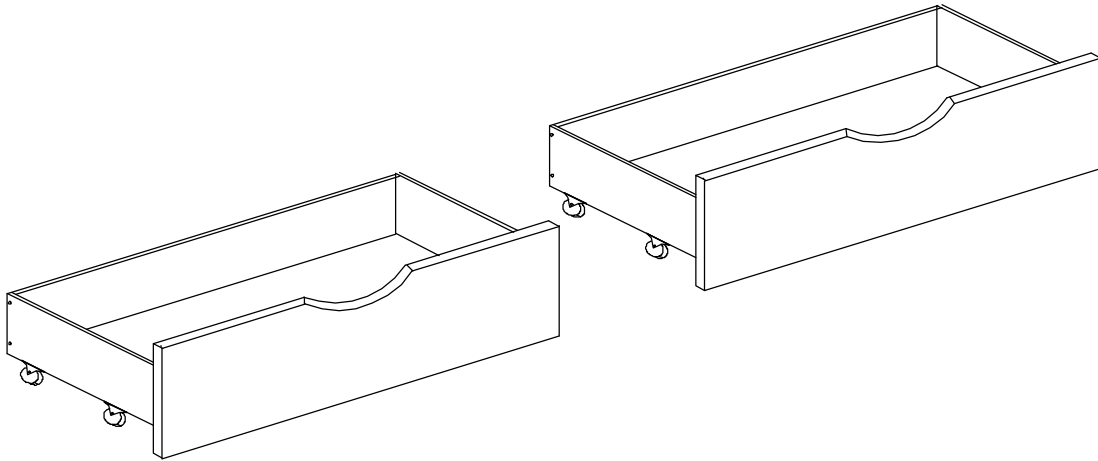


2 PCS

2 PCS

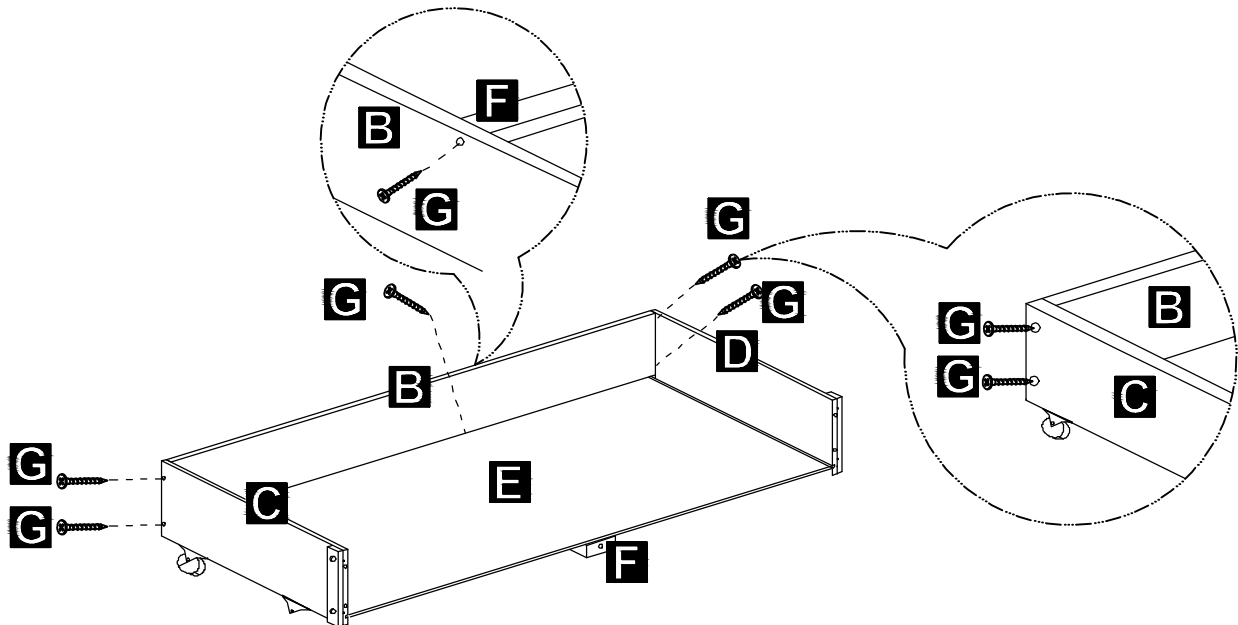
20 PCS

DO NOT TIGHTEN BOLTS UNTIL COMPLETELY ASSEMBLED.

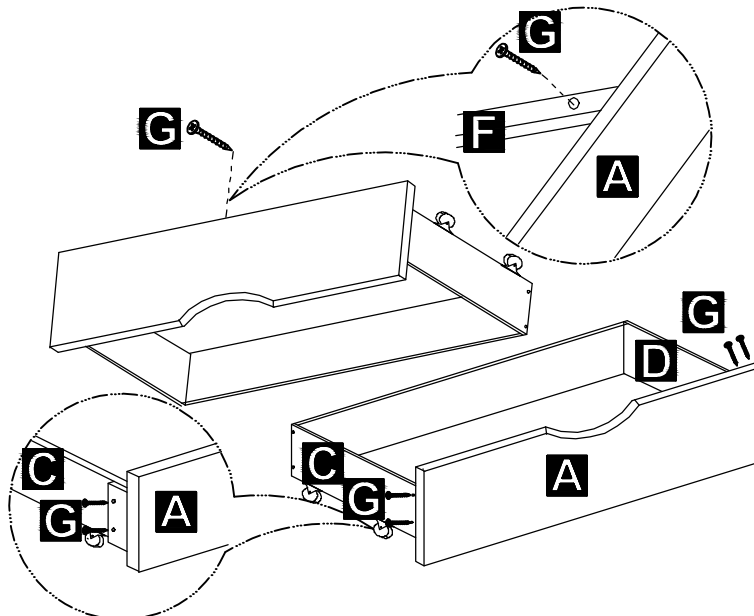


This page lists all the contents included in the box. Please take the time to identify the hardware as well as the individual components to this product. As you unpack and prepare for assembly, place the contents on a carpeted or padded area to protect them from damage.

-
- 1** Install the drawer back panel (B) , panel with caster - LSF (C) , panel with caster - RSF (D) , drawer bottom panel (E) and center support bar (F) by using screw (G) .



-
- 2** Install the drawer front panel (A) , panel with caster - LSF (C) , panel with caster - RSF (D) , drawer bottom panel (E) and center support bar (F) by using screw (G) . Tighten all screw (G) by screwdriver (not provide) as below picture.



Cleaning & Care

Treat surface with care. Surface is resistant to scratches but is not scratch resistant. Clean surfaces with a dry or damp soft cloth. Do not use abrasive cleaners. Hardware may loosen over time. Periodically check that all connections are tight.