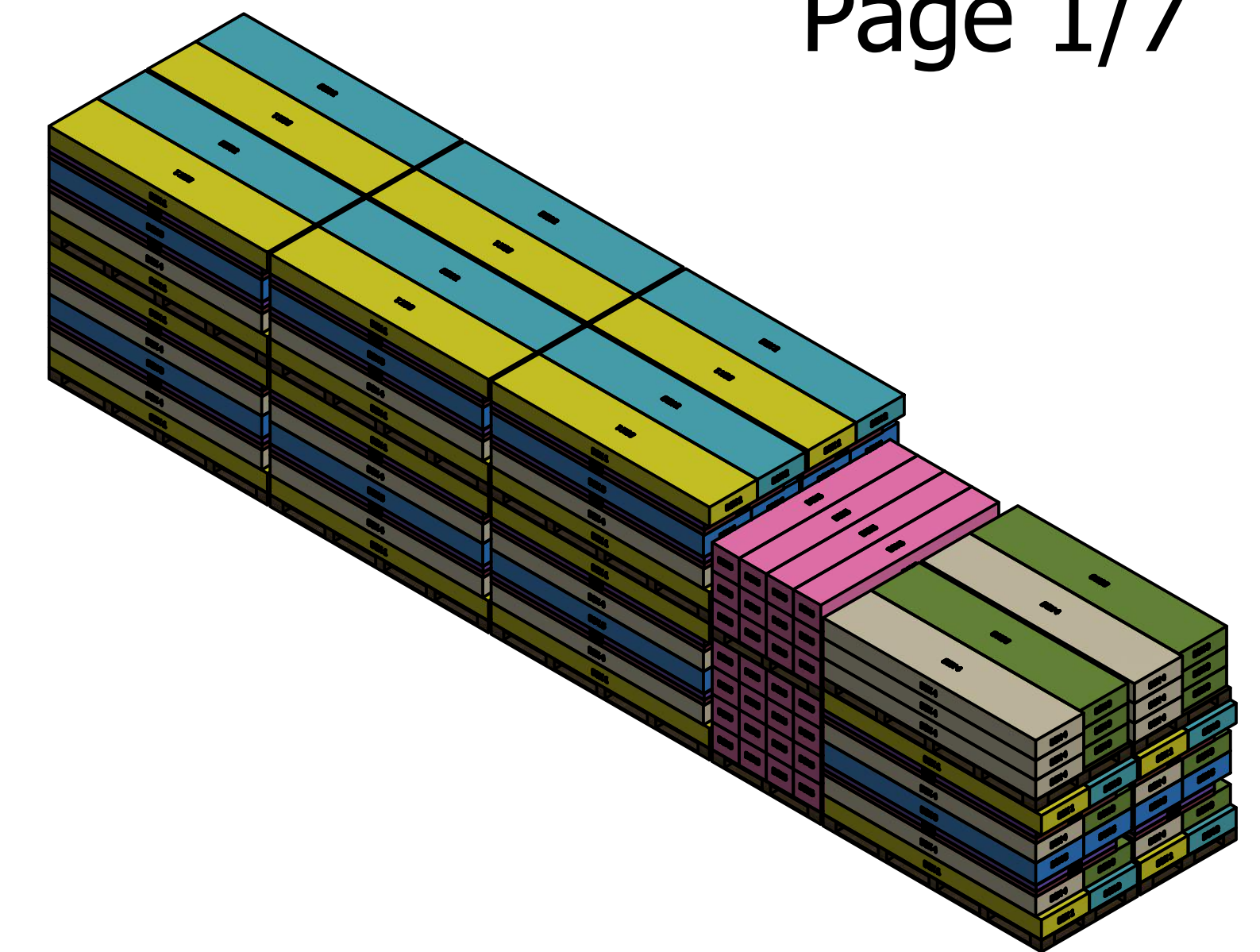
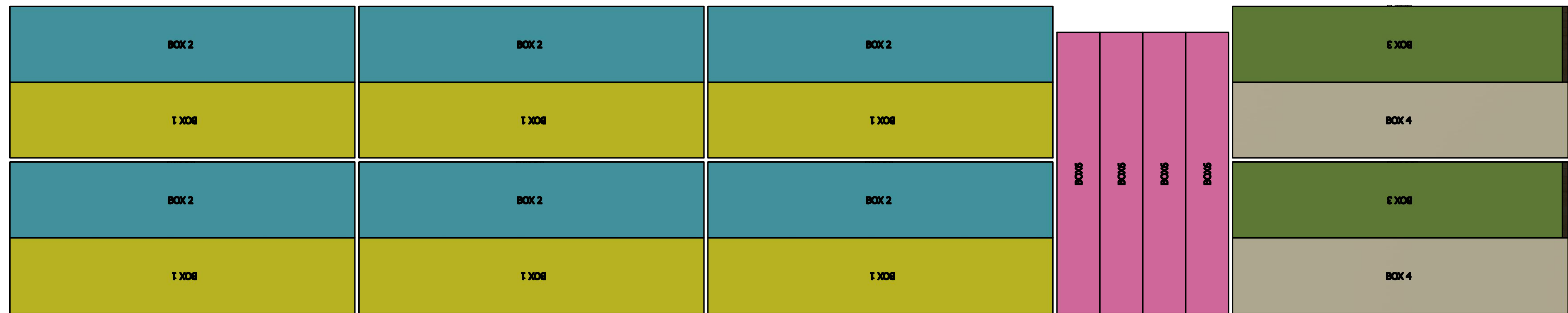


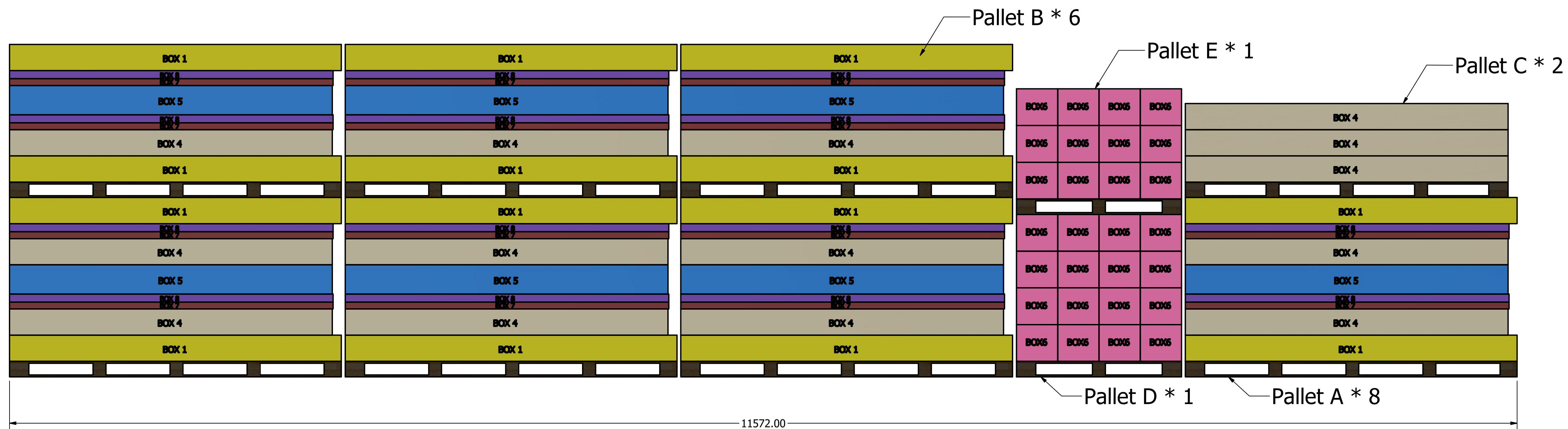
2506077 16x14 LODGE GAZEBO Container Loading Diagram

(1 set=8 boxes, 28 units/40HQ, 18 pallets/ 40HQ, Gross Weight:19340kg)

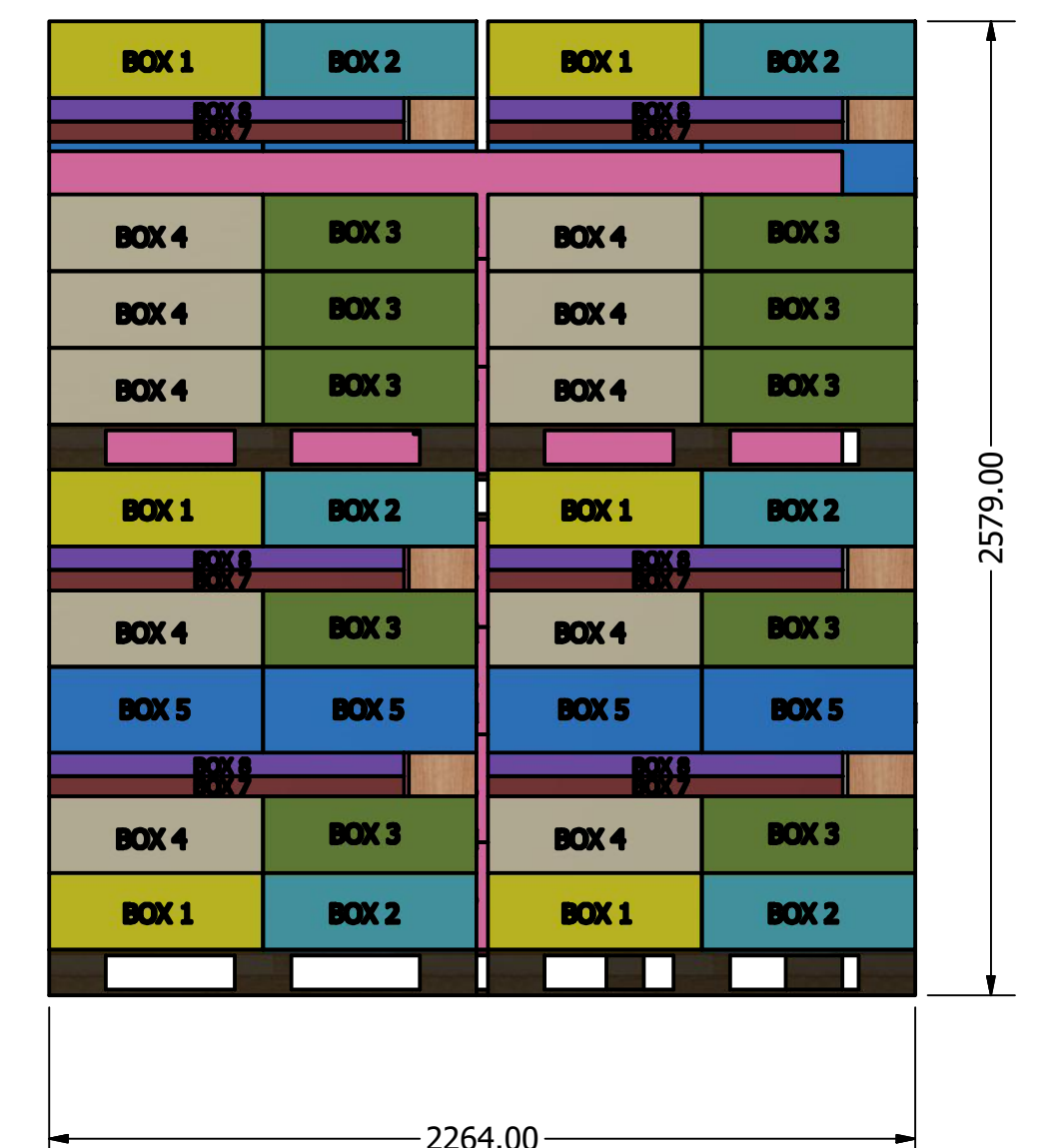
Top View



Side View



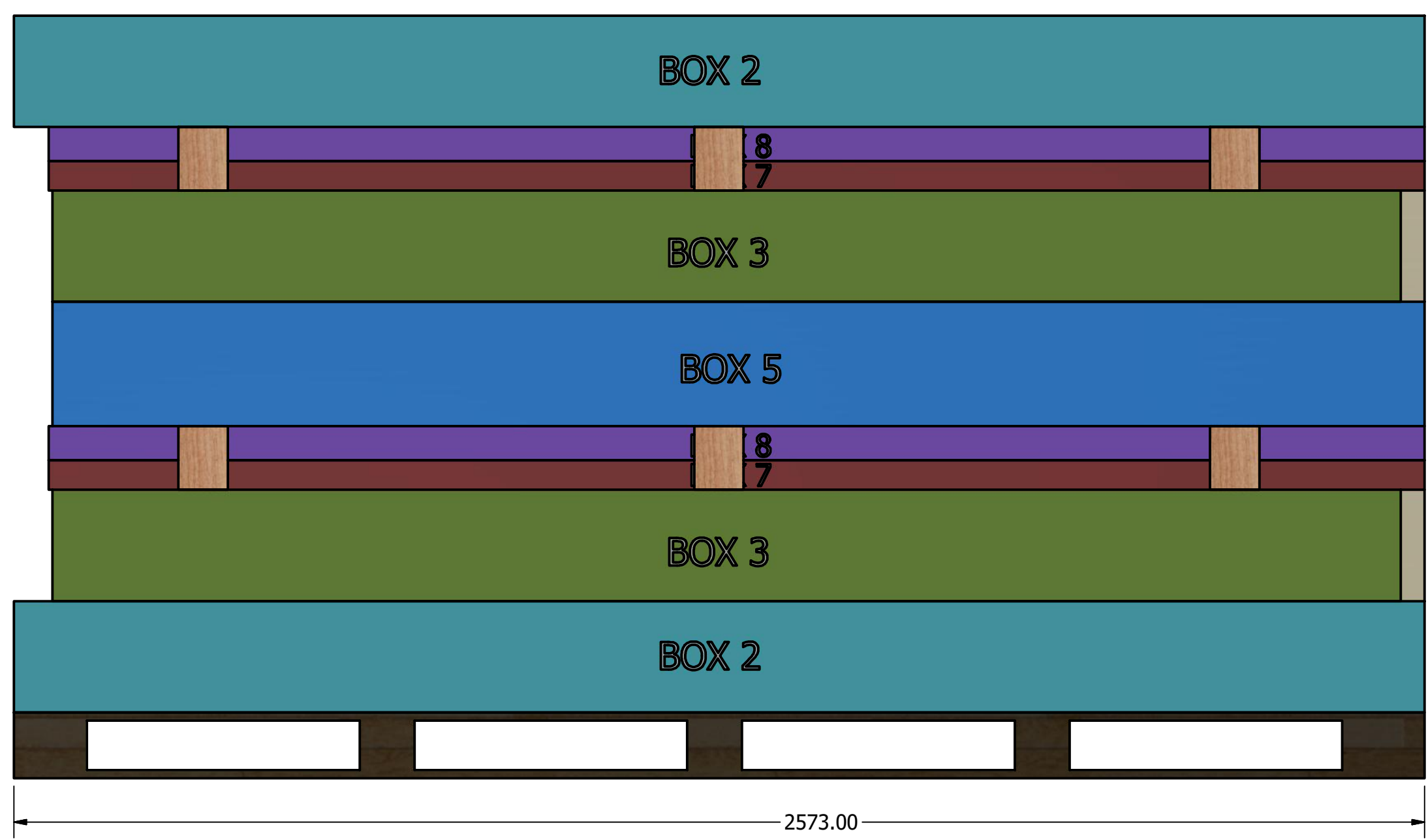
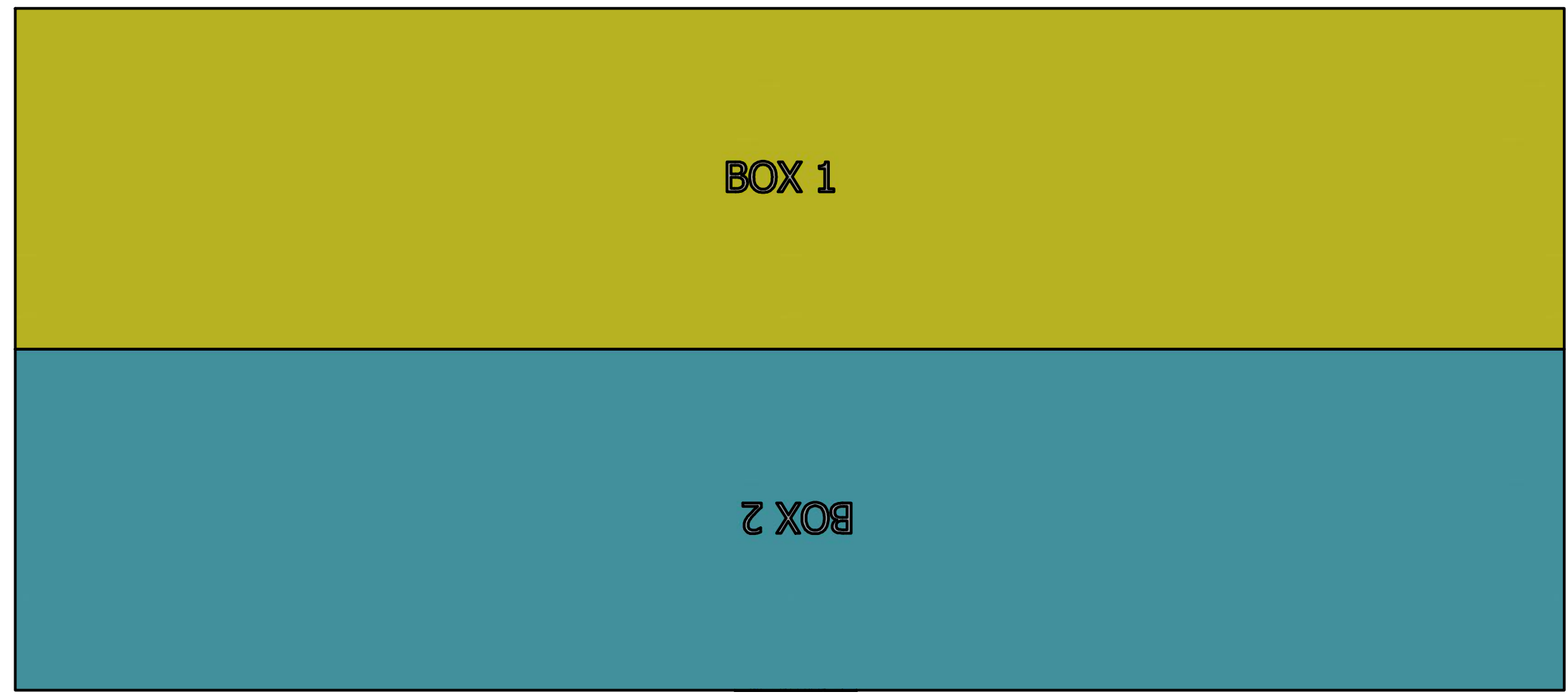
End View



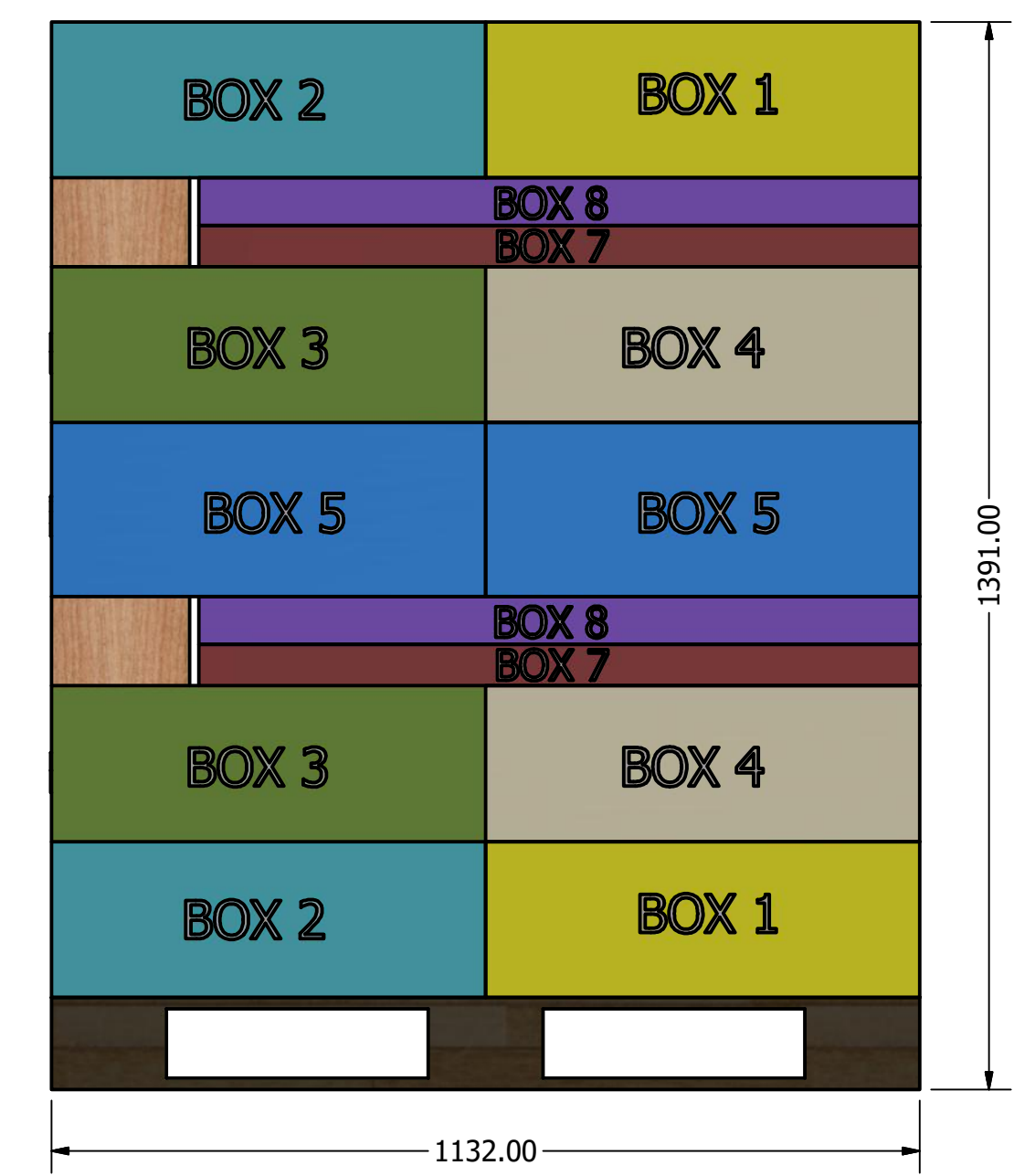
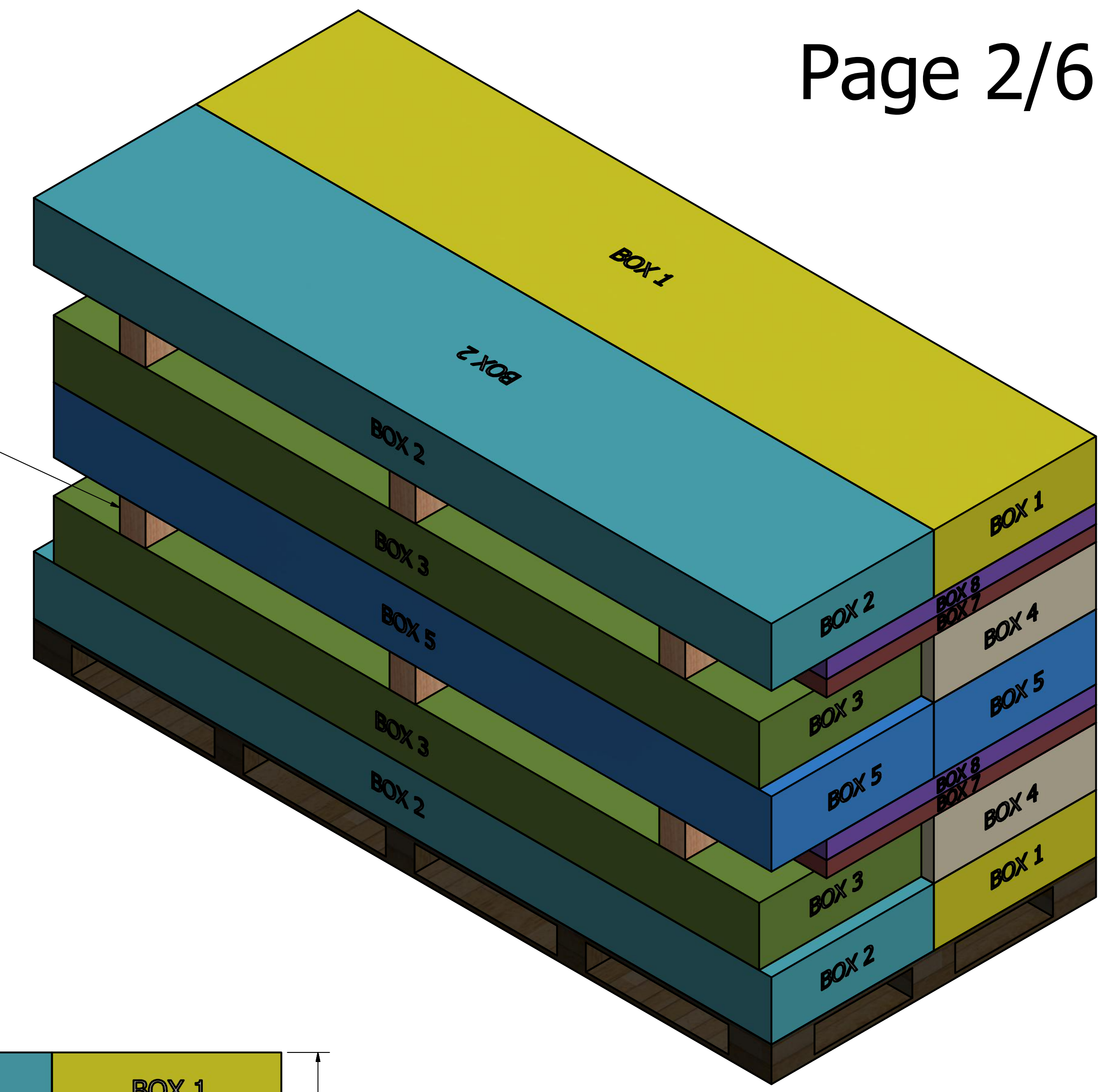
DRAWN Rudy		TITLE		
CHECKED				
QA		SIZE D	DWG NO	REV
MFG		SCALE 1 : 20		
APPROVED		SHEET 1 OF 1		

Pallet A

(Wood kit *2)



Plywood block * 6
 胶合板块*6
 190mm*90mm*116mm

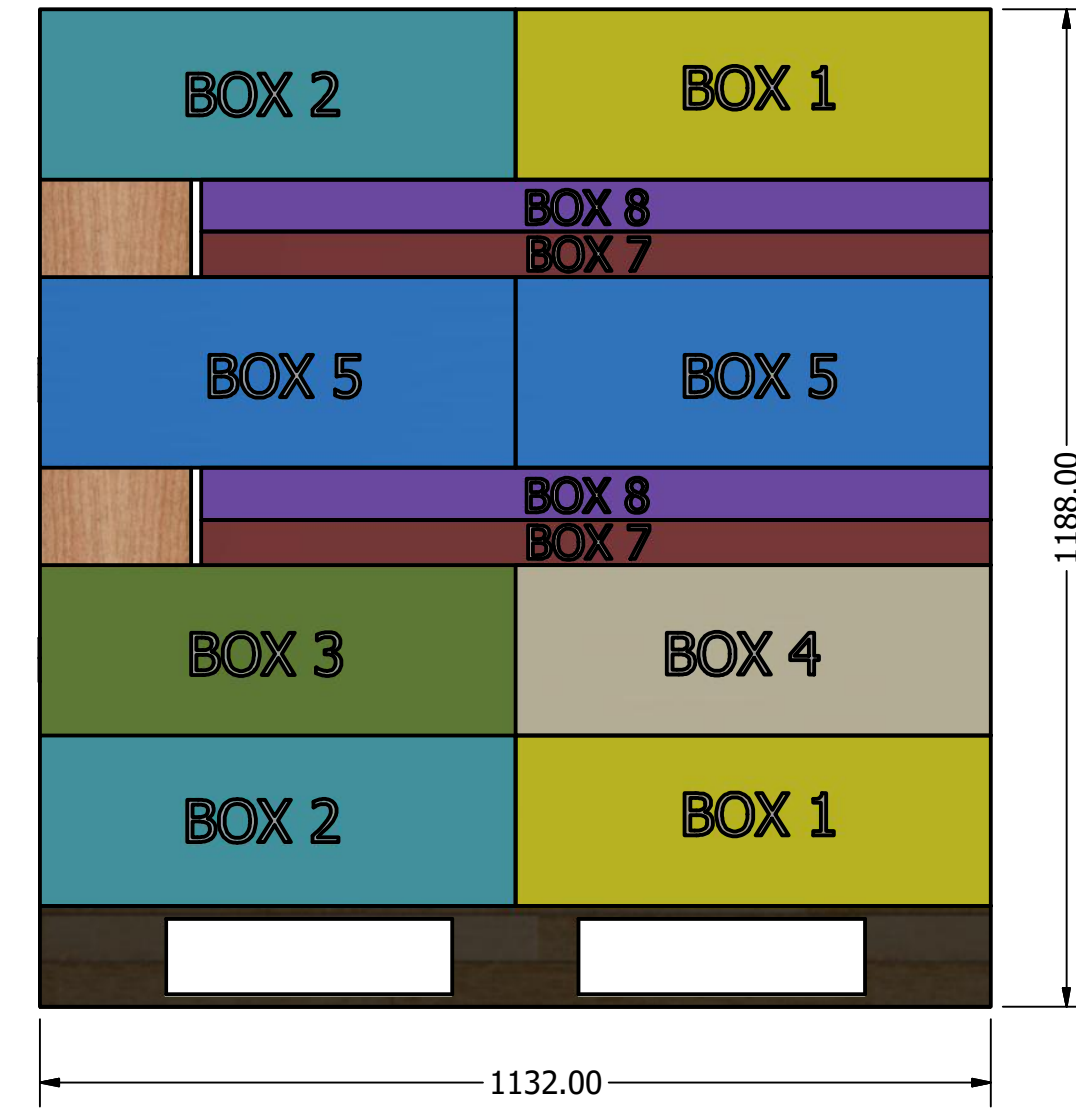
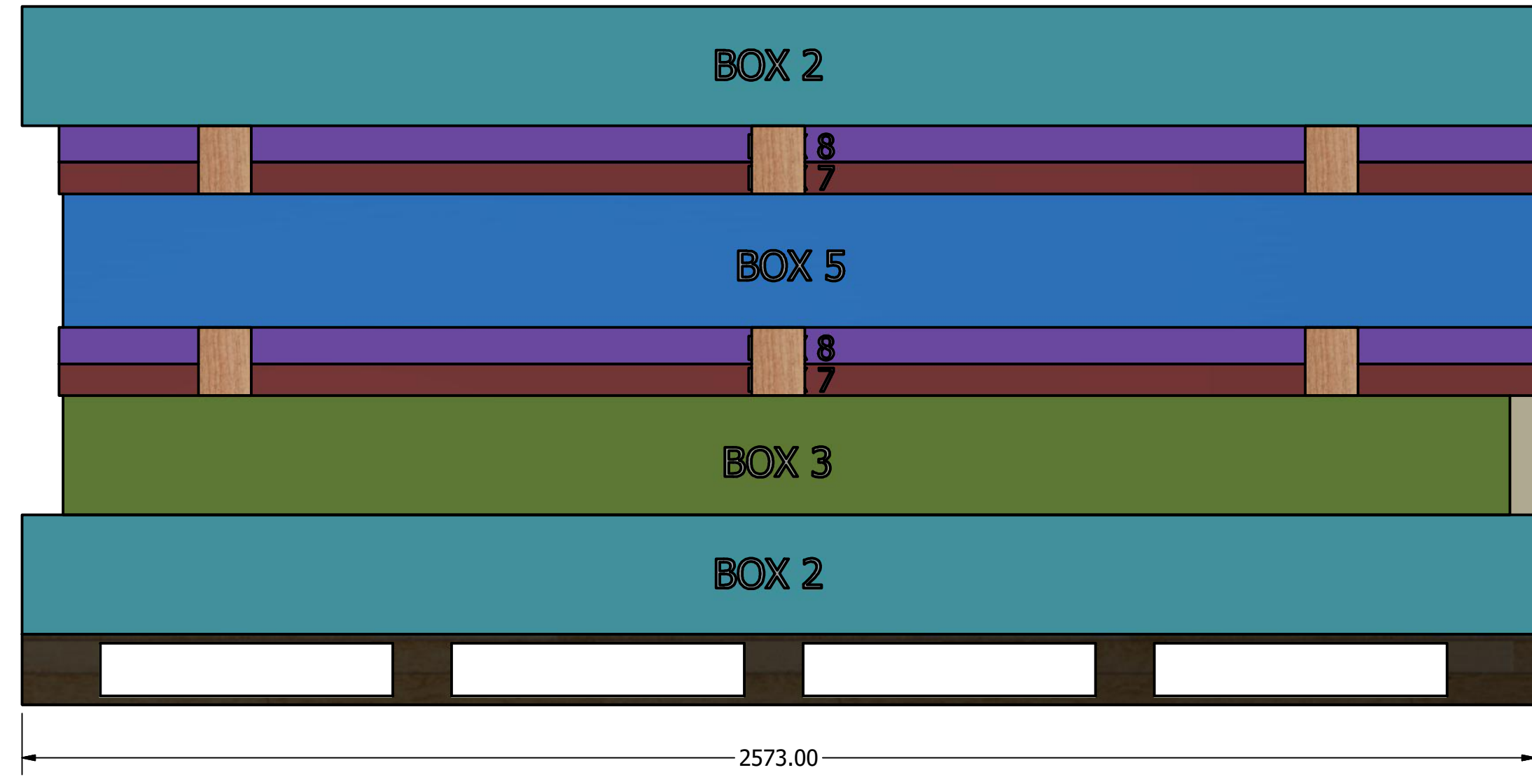
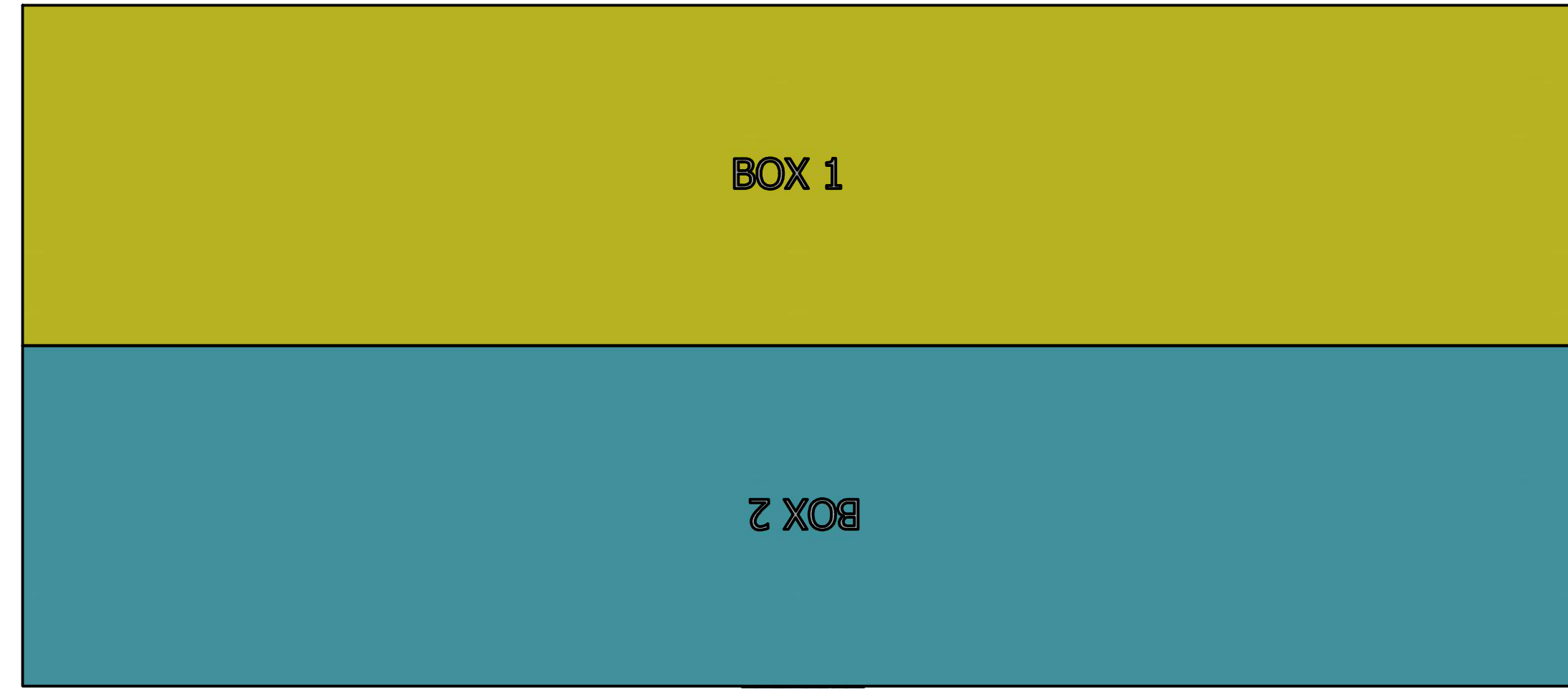
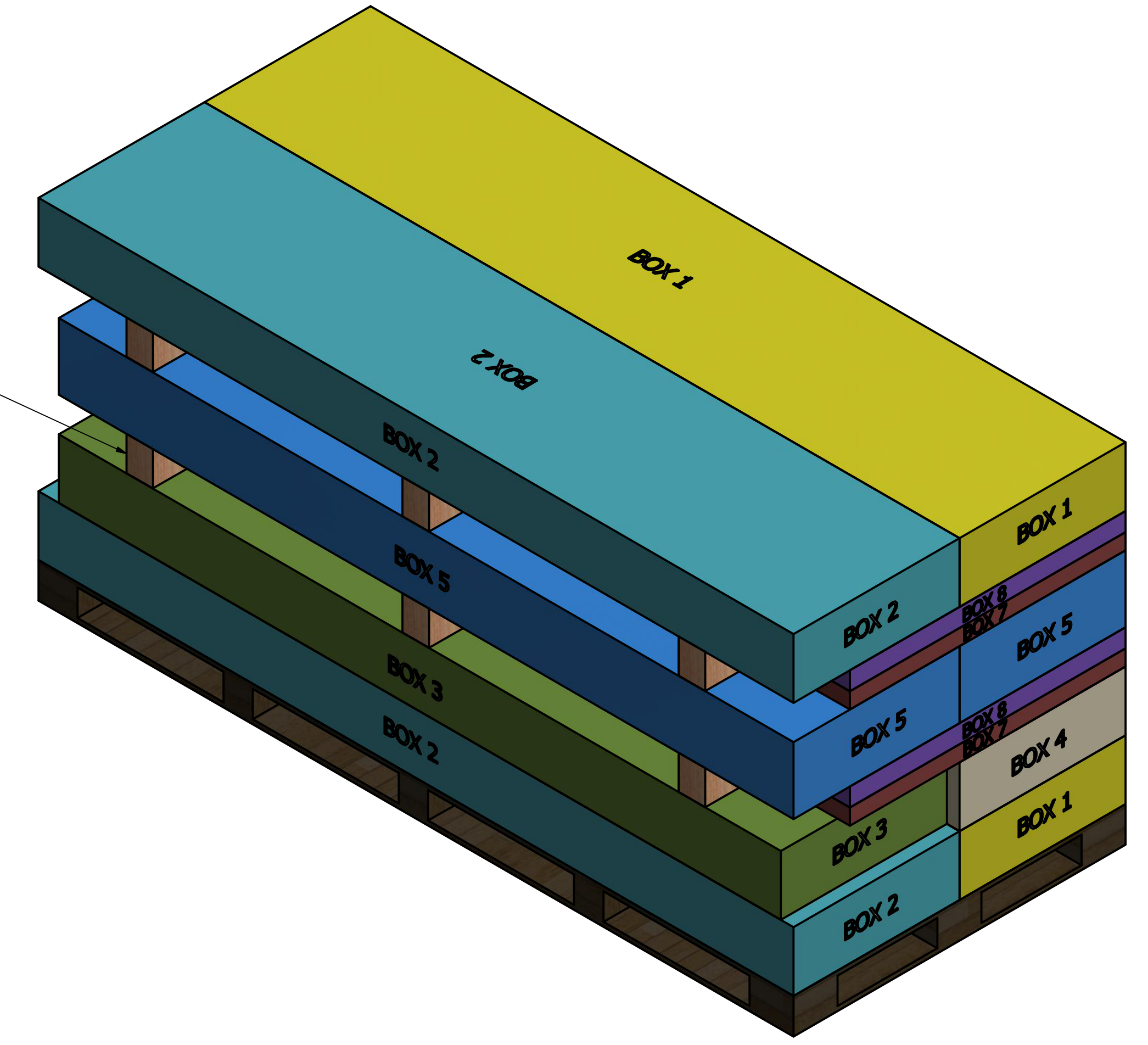


DRAWN Rudy		TITLE	
CHECKED			
QA			
MFG			
APPROVED			
		SIZE D	DWG NO Pallet A
		SCALE 1 / 9	REV
		SHEET 1 OF 1	

Pallet B

(Wood kit *1 +BOX1*1+BOX2 *1+ BOX5*1+BOX7*1+BOX8*1)

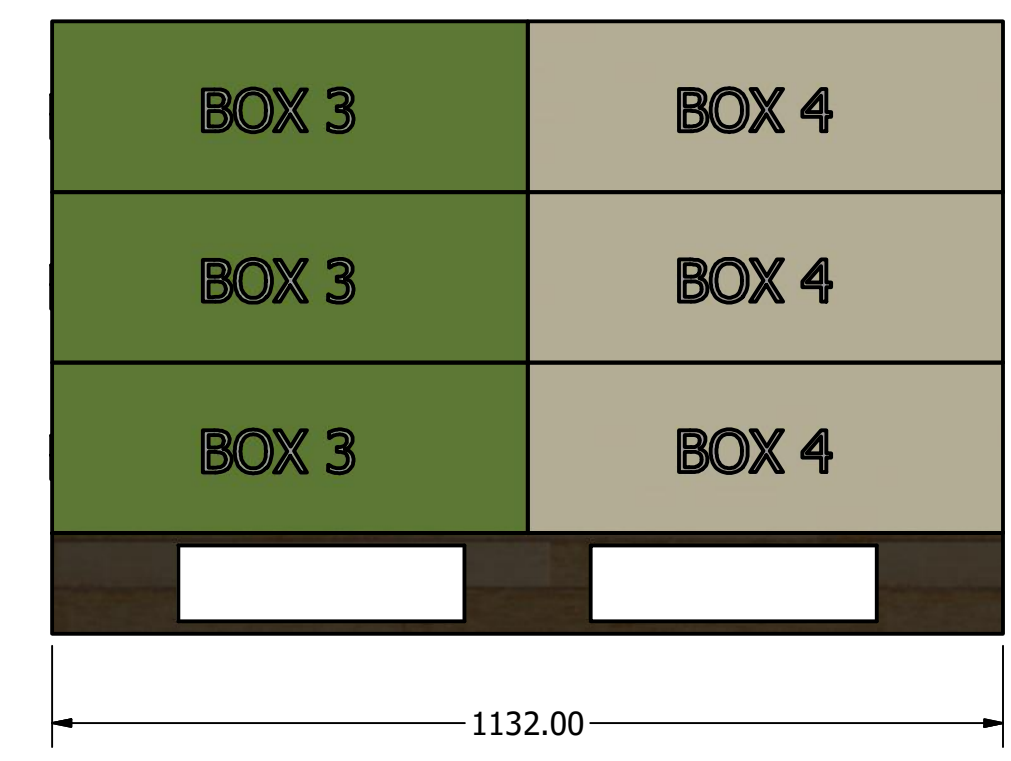
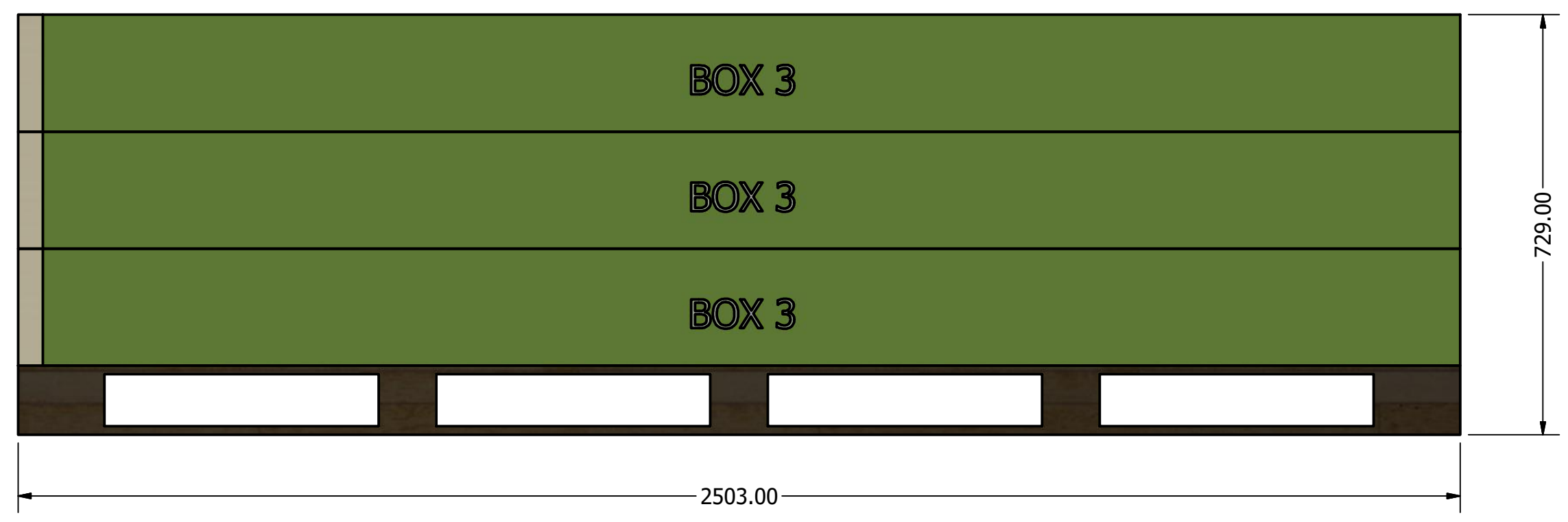
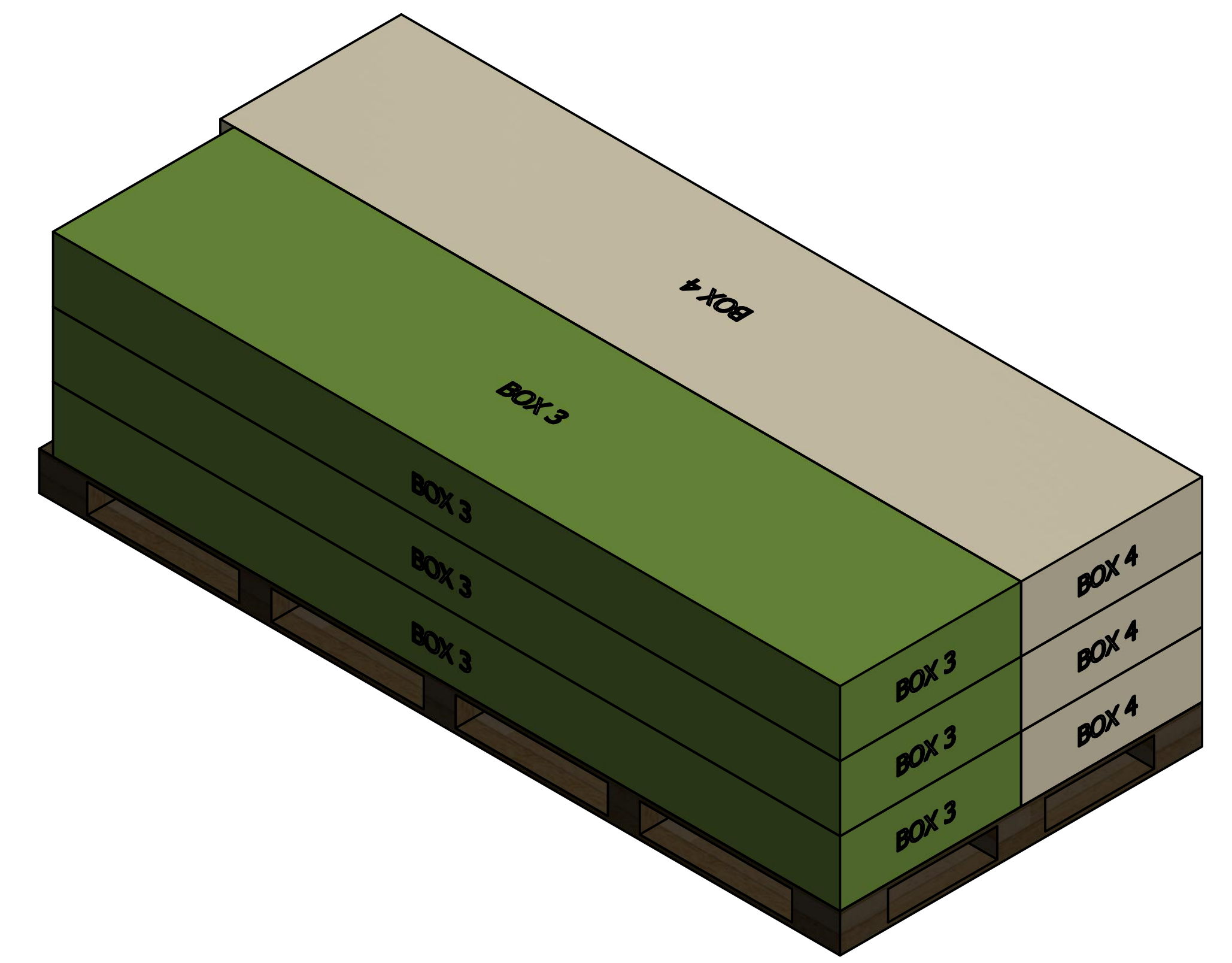
Plywood block * 6
 胶合板块*6
 190mm*90mm*116mm



DRAWN Rudy		TITLE	
CHECKED		TITLE	
QA		TITLE	
MFG		TITLE	
APPROVED		TITLE	
		SIZE D	DWG NO Pallet A
		SCALE 1 : 9	REV
		SHEET 1 OF 1	

Pallet C

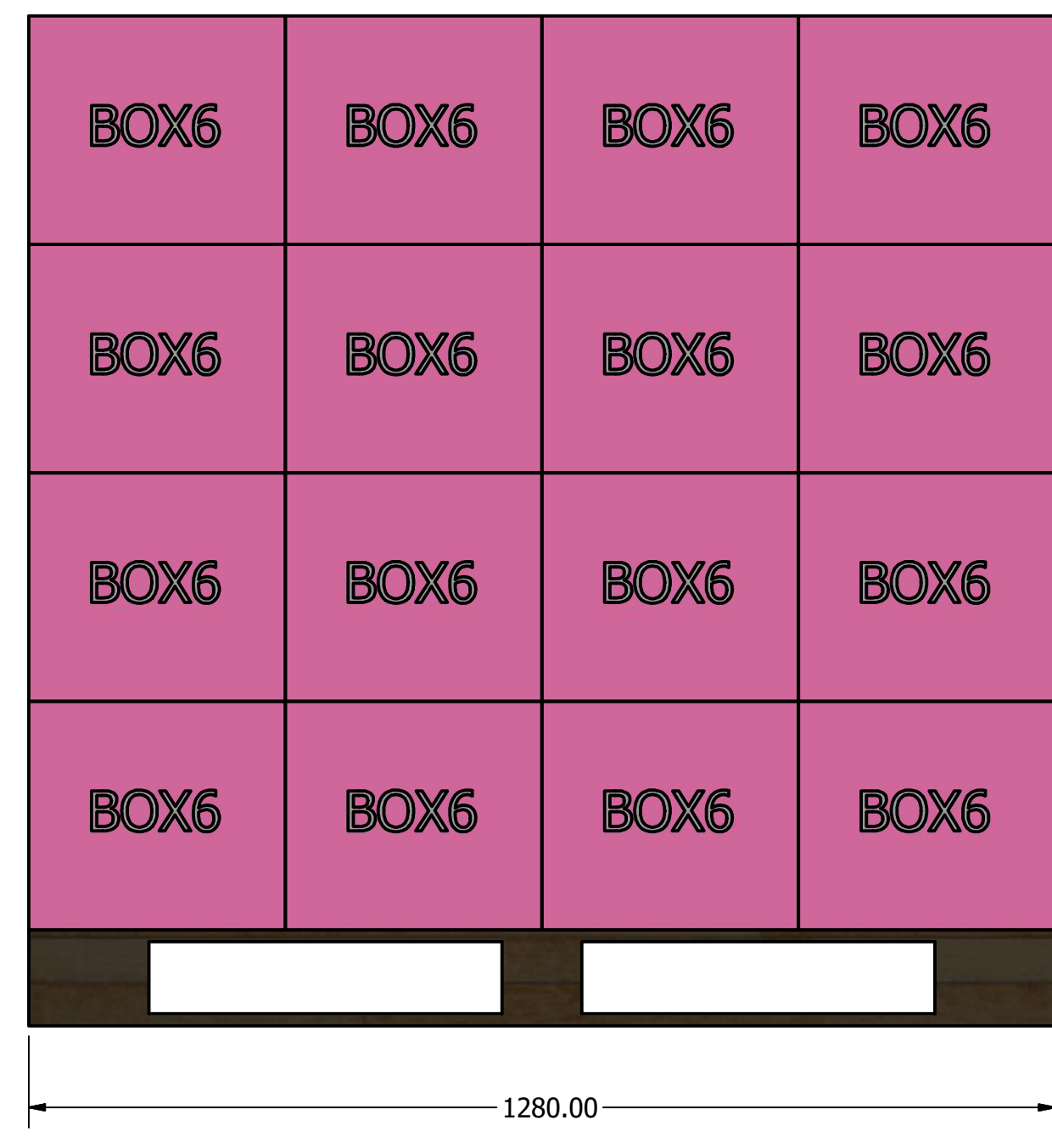
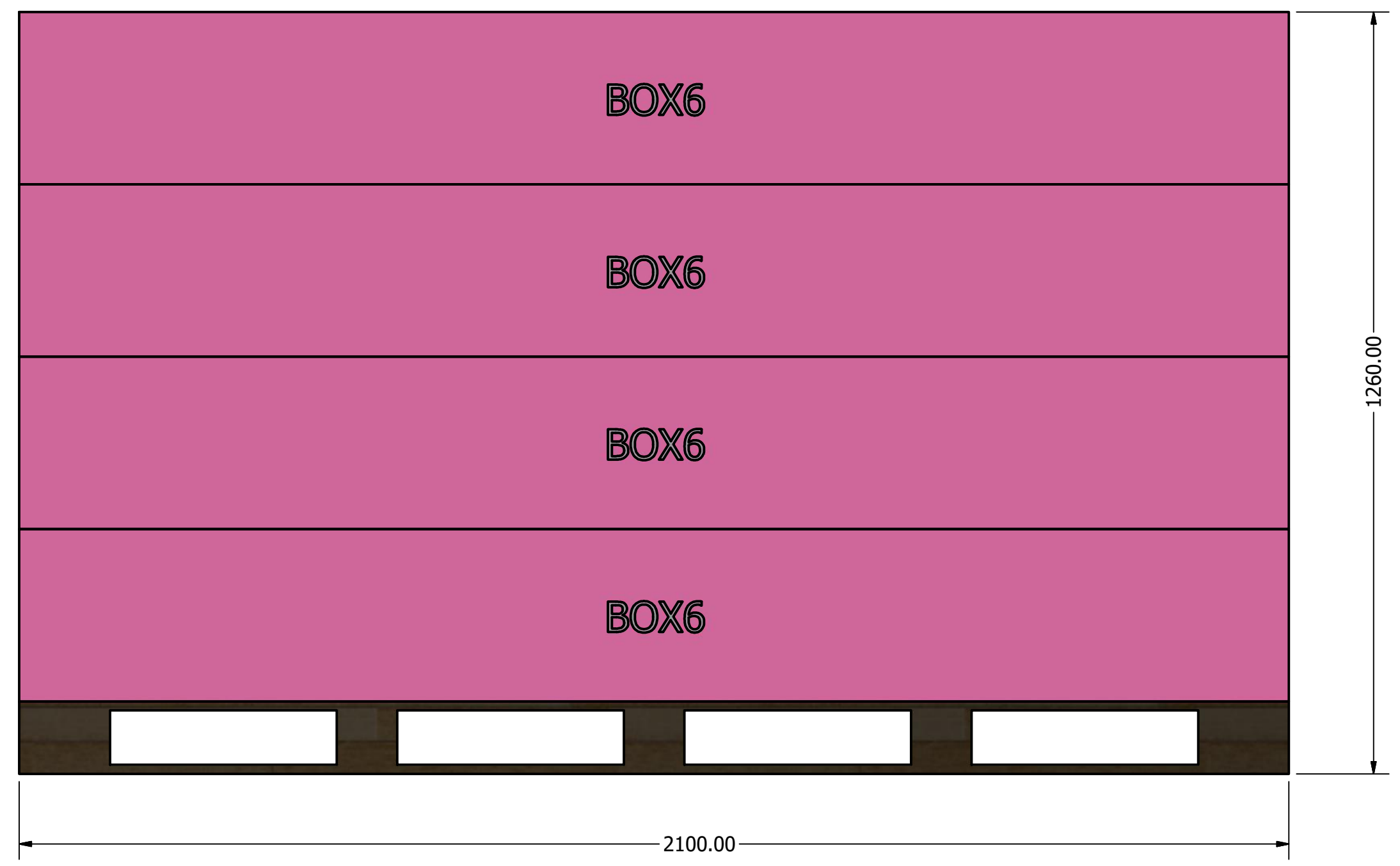
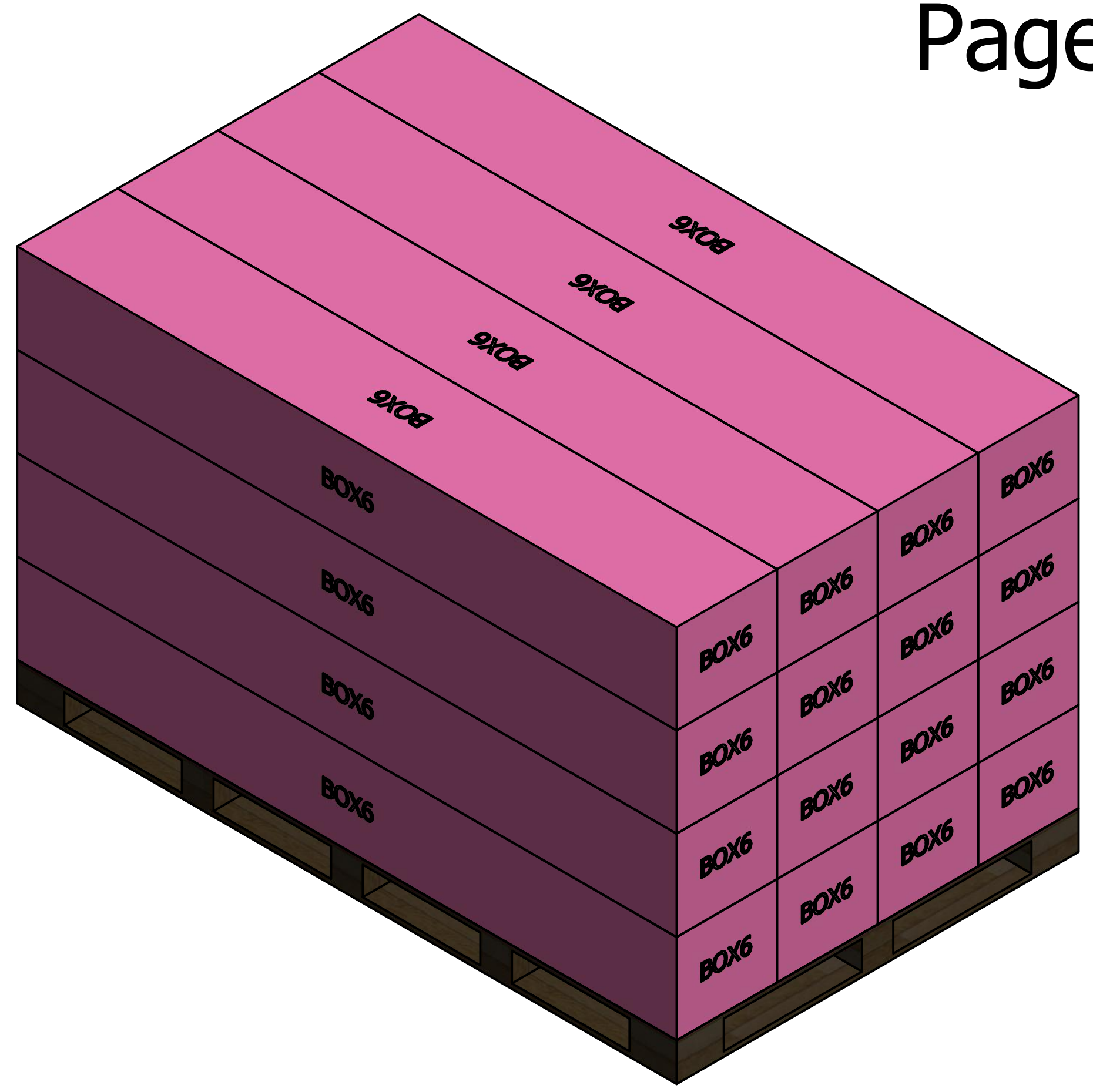
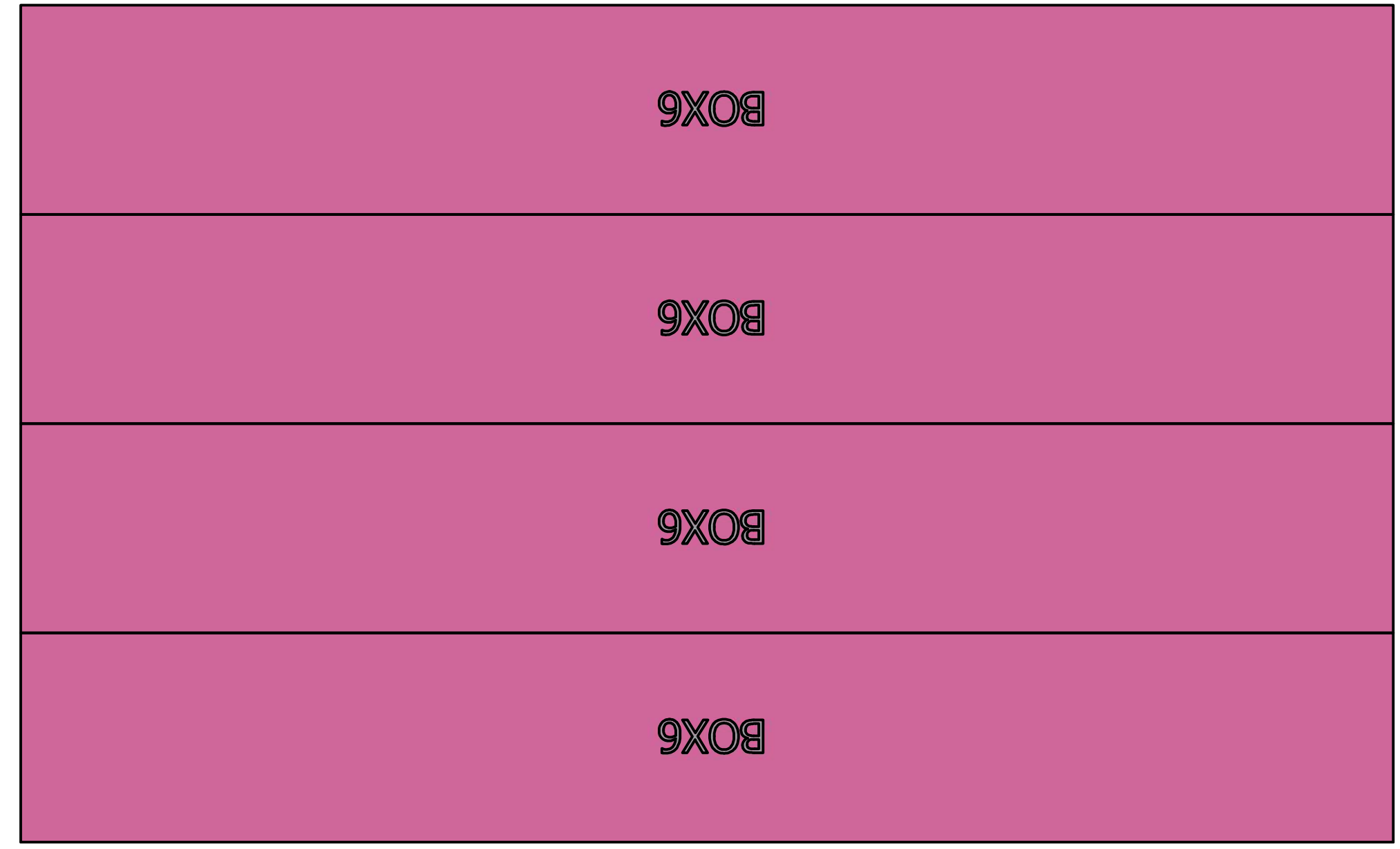
(BOX3 *3+BOX4 *3)



DRAWN Rudy			
CHECKED		TITLE	
QA			
MFG			
APPROVED			
		SIZE D	DWG NO Pallet A
		SCALE 1: 9	REV
		SHEET 1 OF 1	

Pallet D

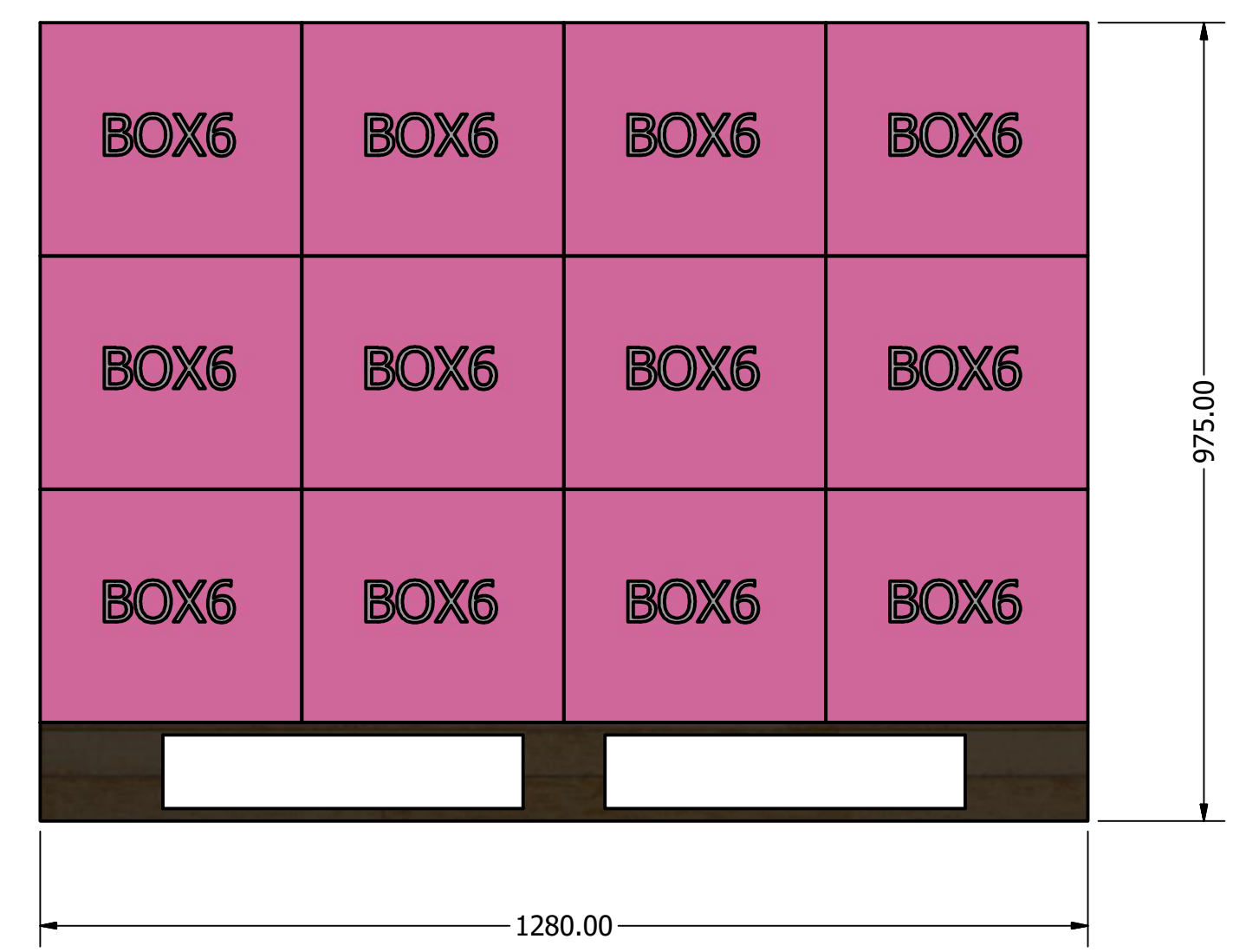
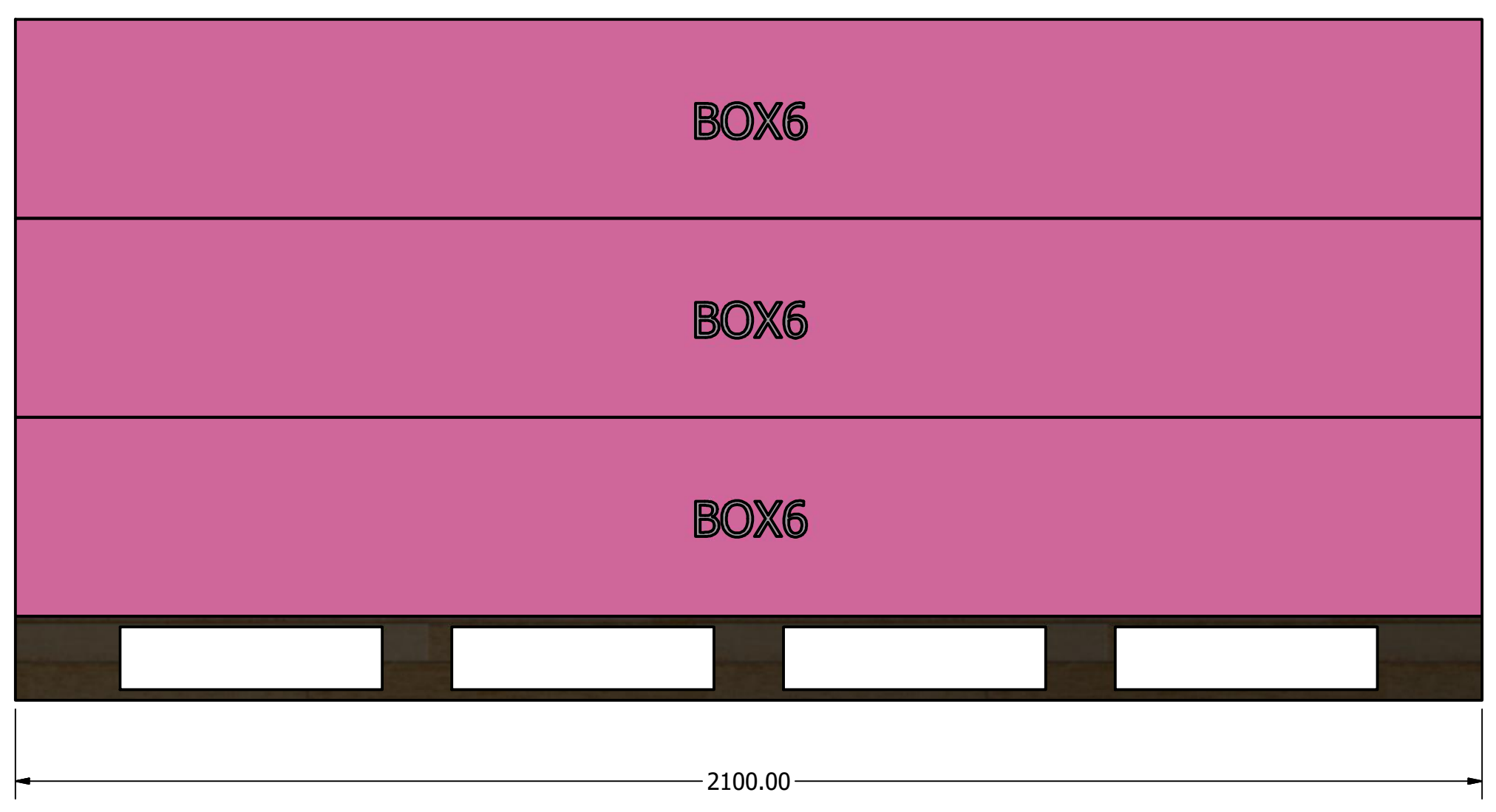
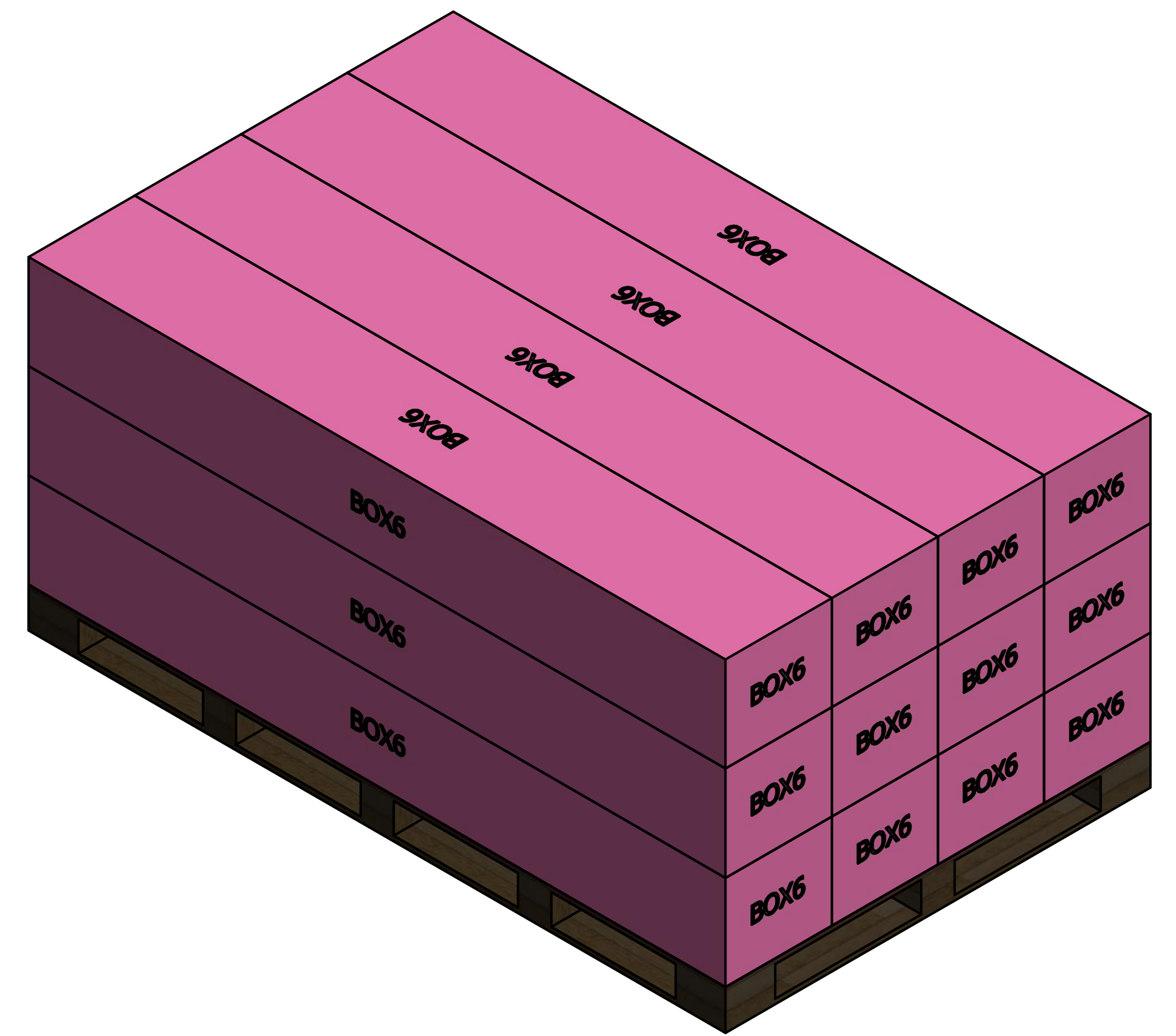
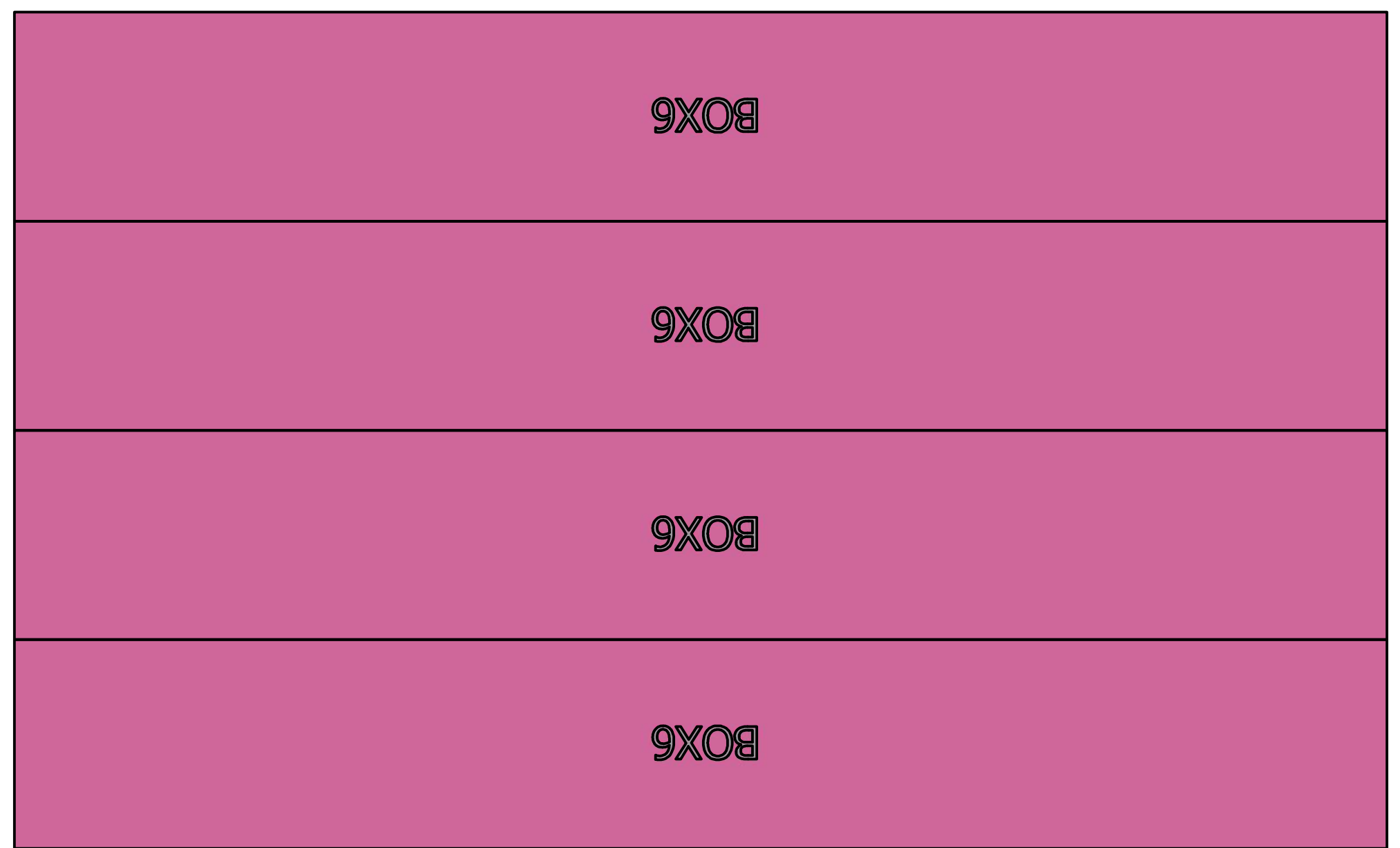
(BOX6*16)



DRAWN Rudy		TITLE		
CHECKED				
QA				
MFG				
APPROVED		SIZE D	DWG NO Pallet A	REV
		SCALE 1 : 8	SHEET 1 OF 1	

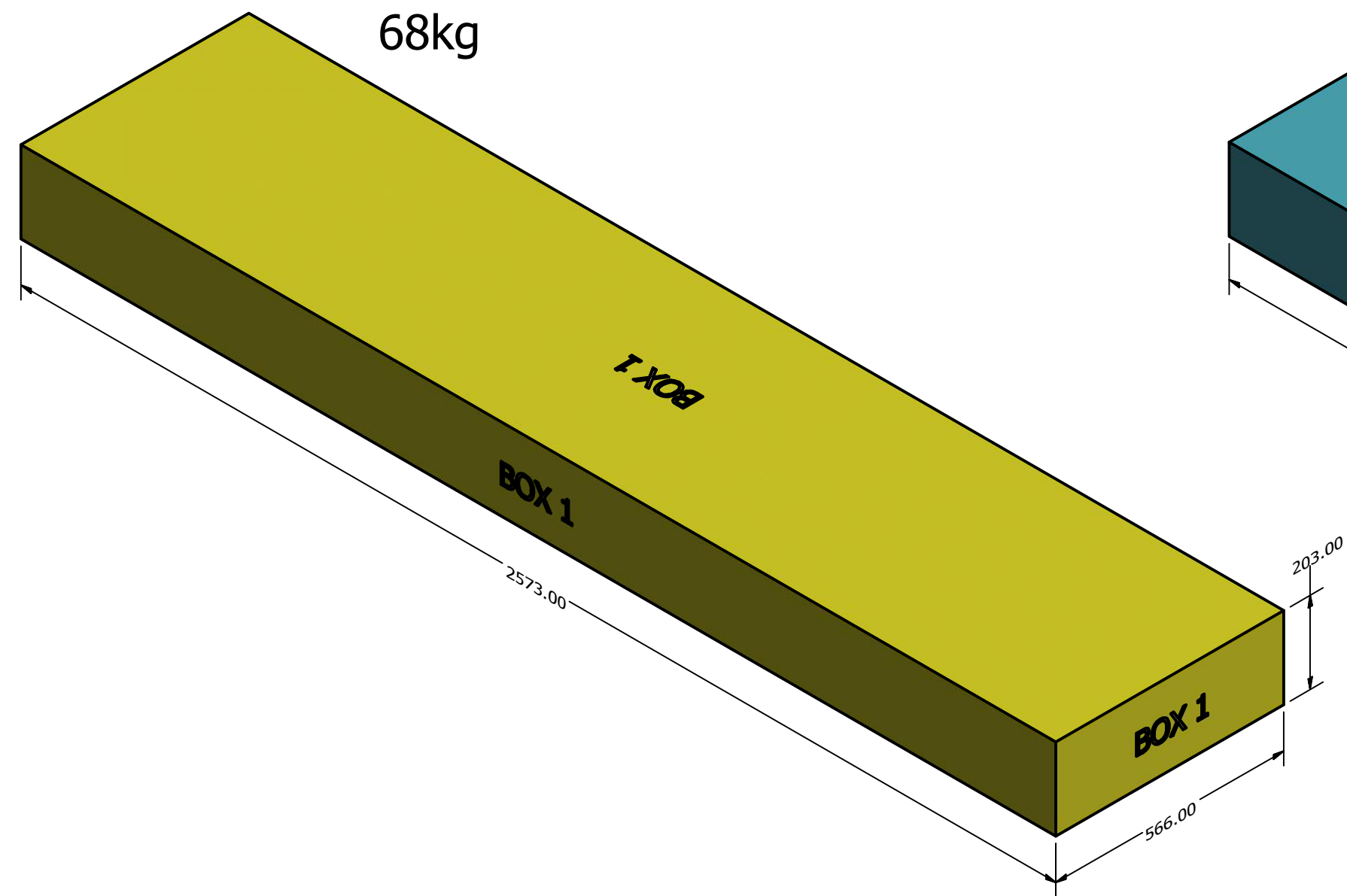
Pallet D

(BOX6*12)

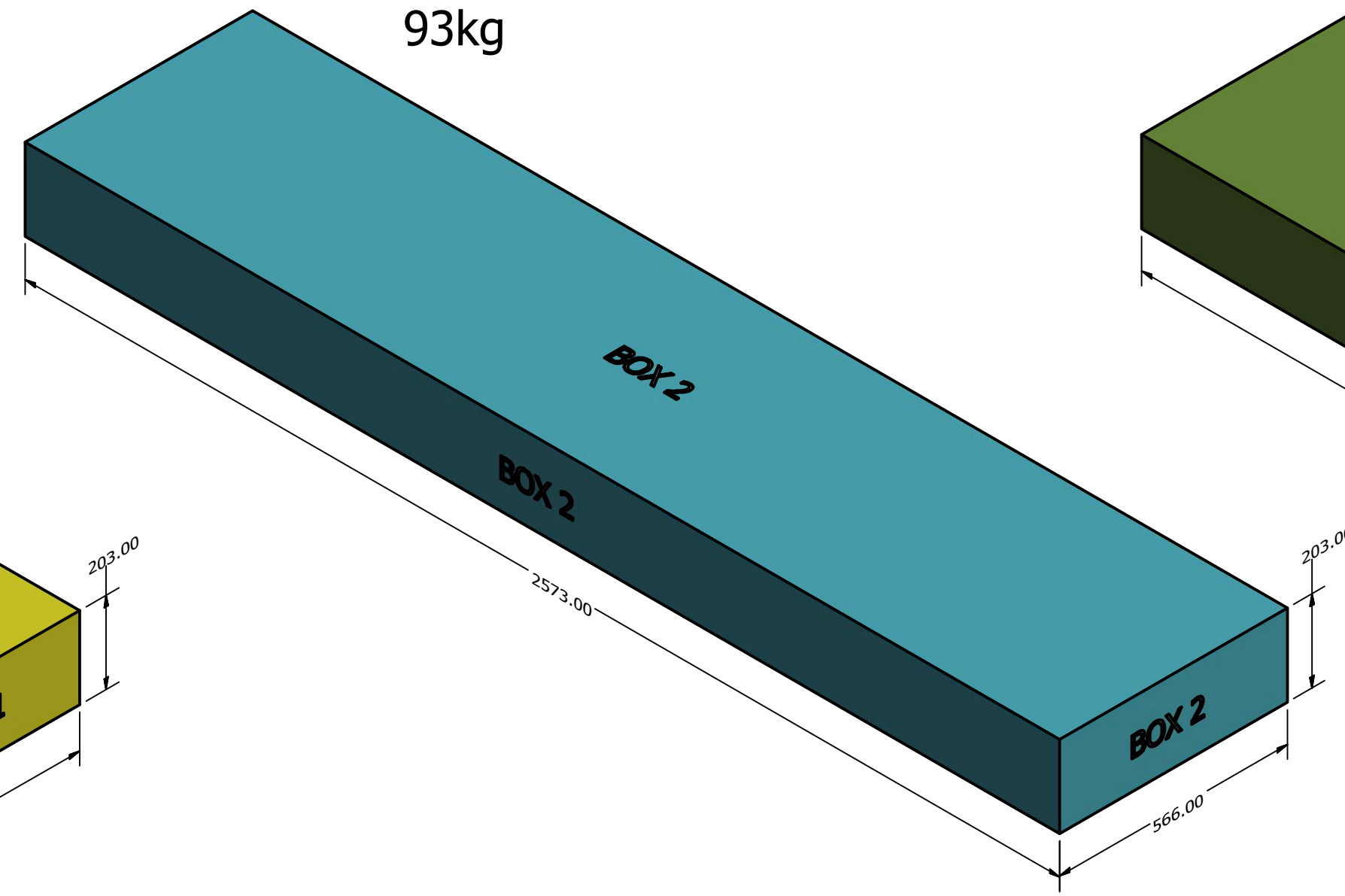


DRAWN Rudy		TITLE	
CHECKED			
QA			
MFG			
APPROVED			
		SIZE D	DWG NO Pallet A
		SCALE 1 : 8	REV
		SHEET 1 OF 1	

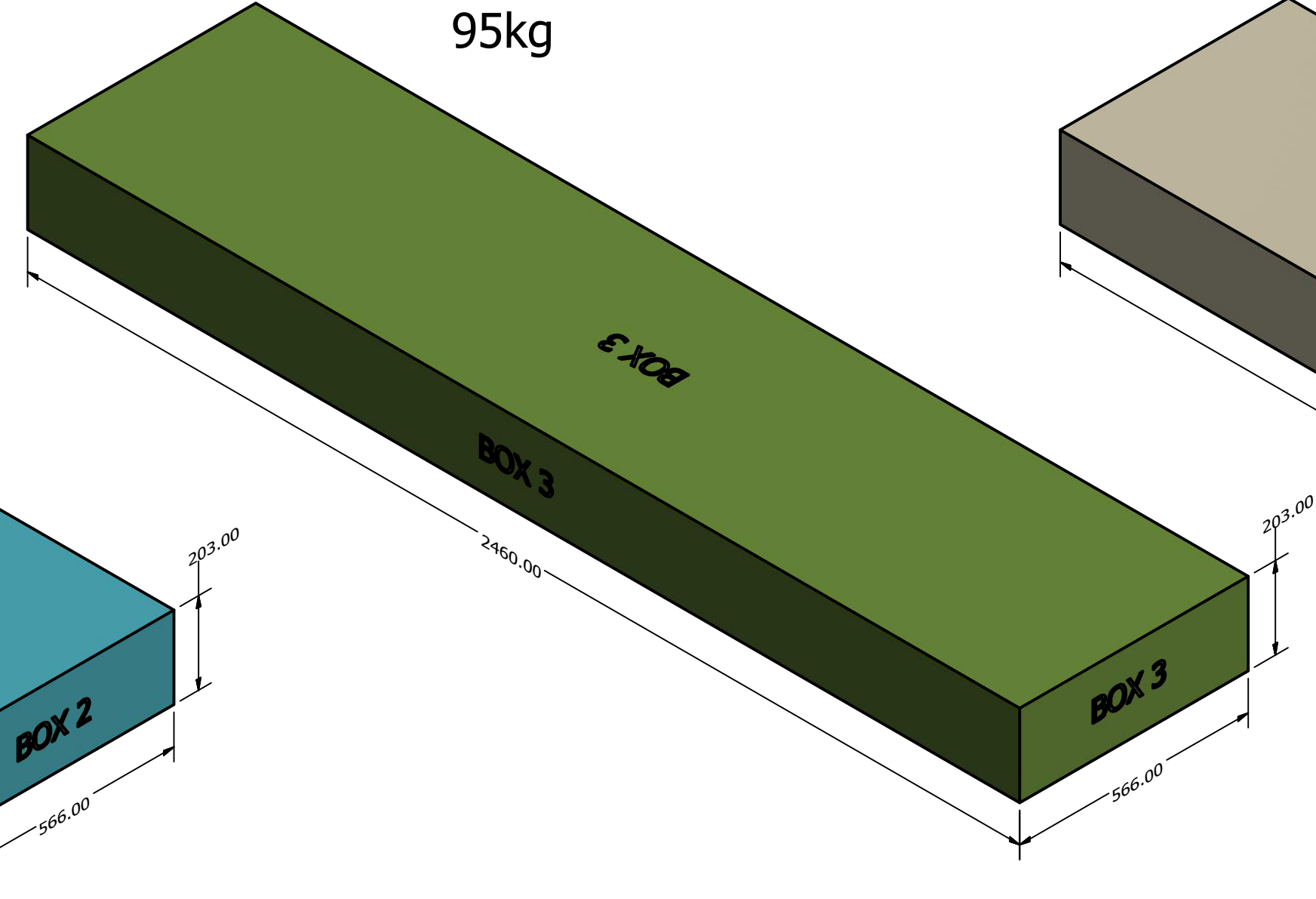
BOX1



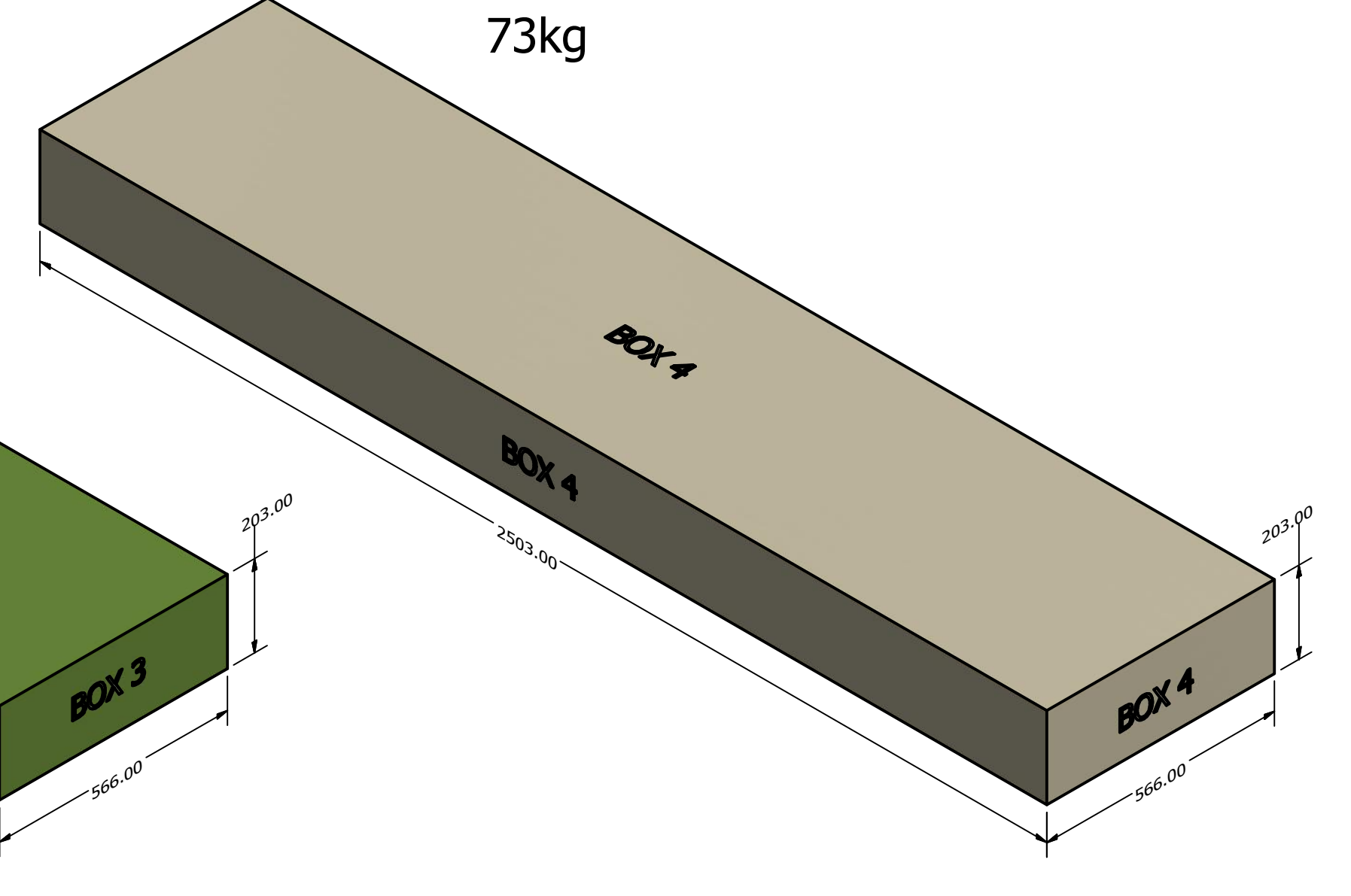
BOX2



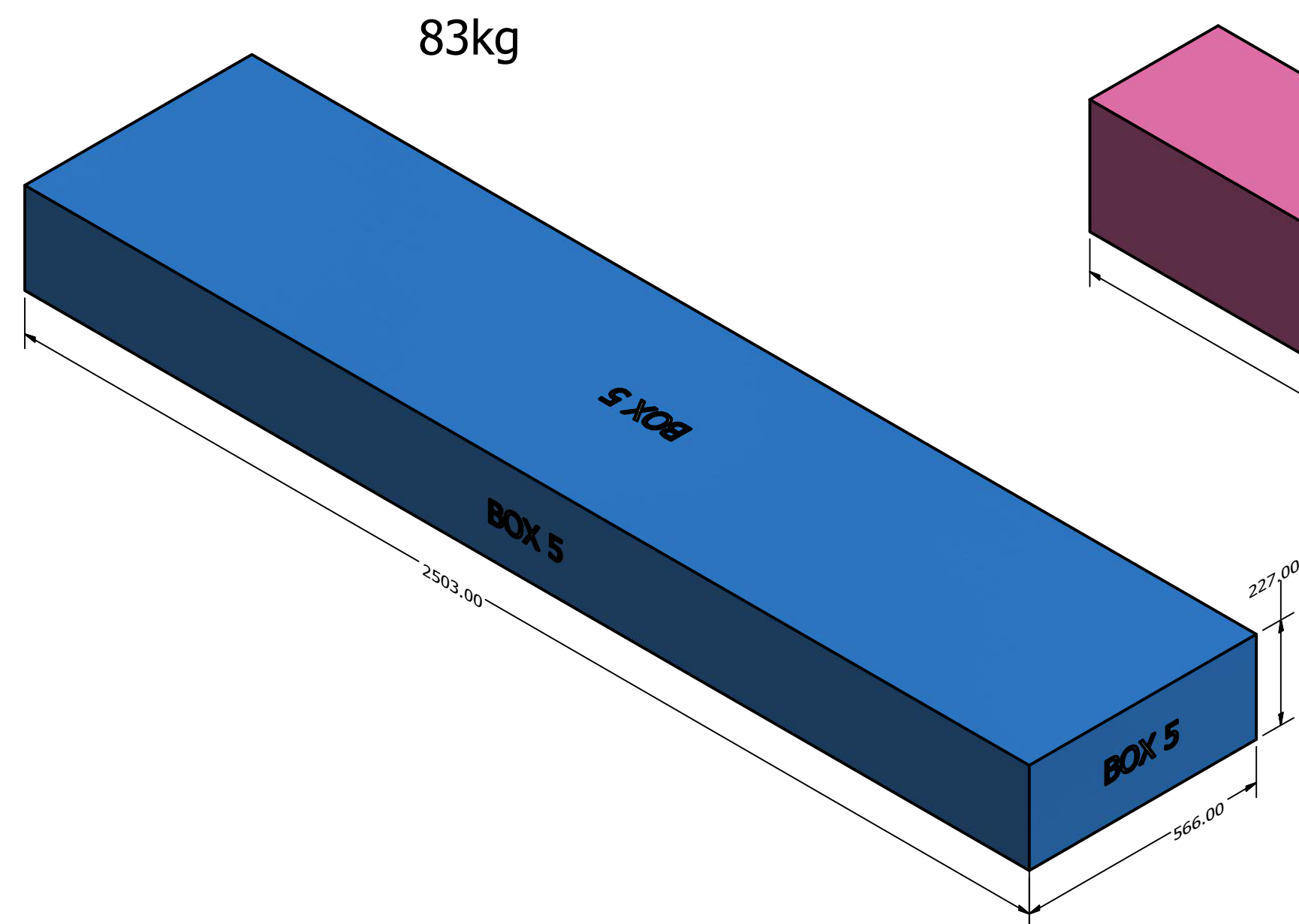
BOX3



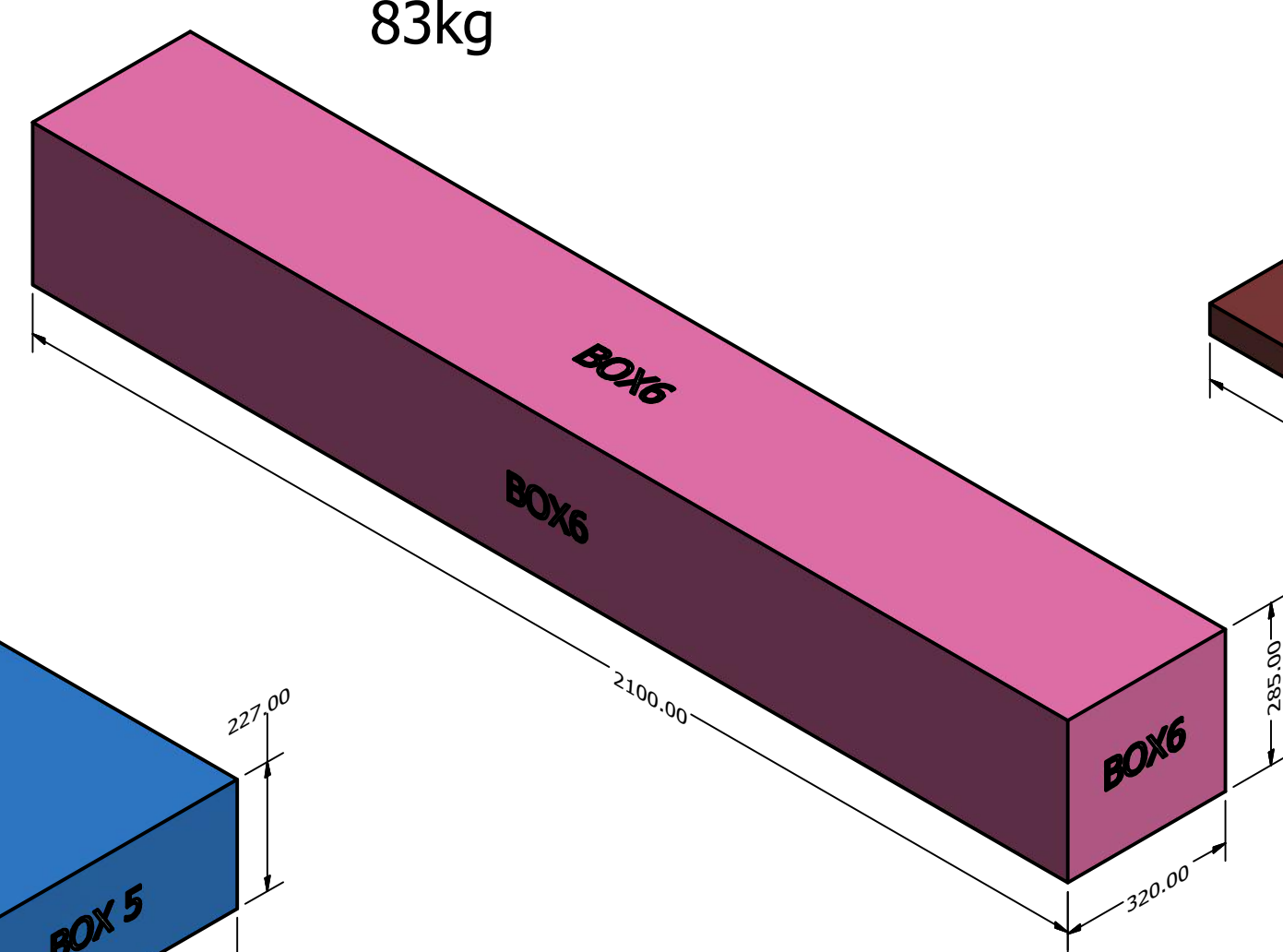
BOX4



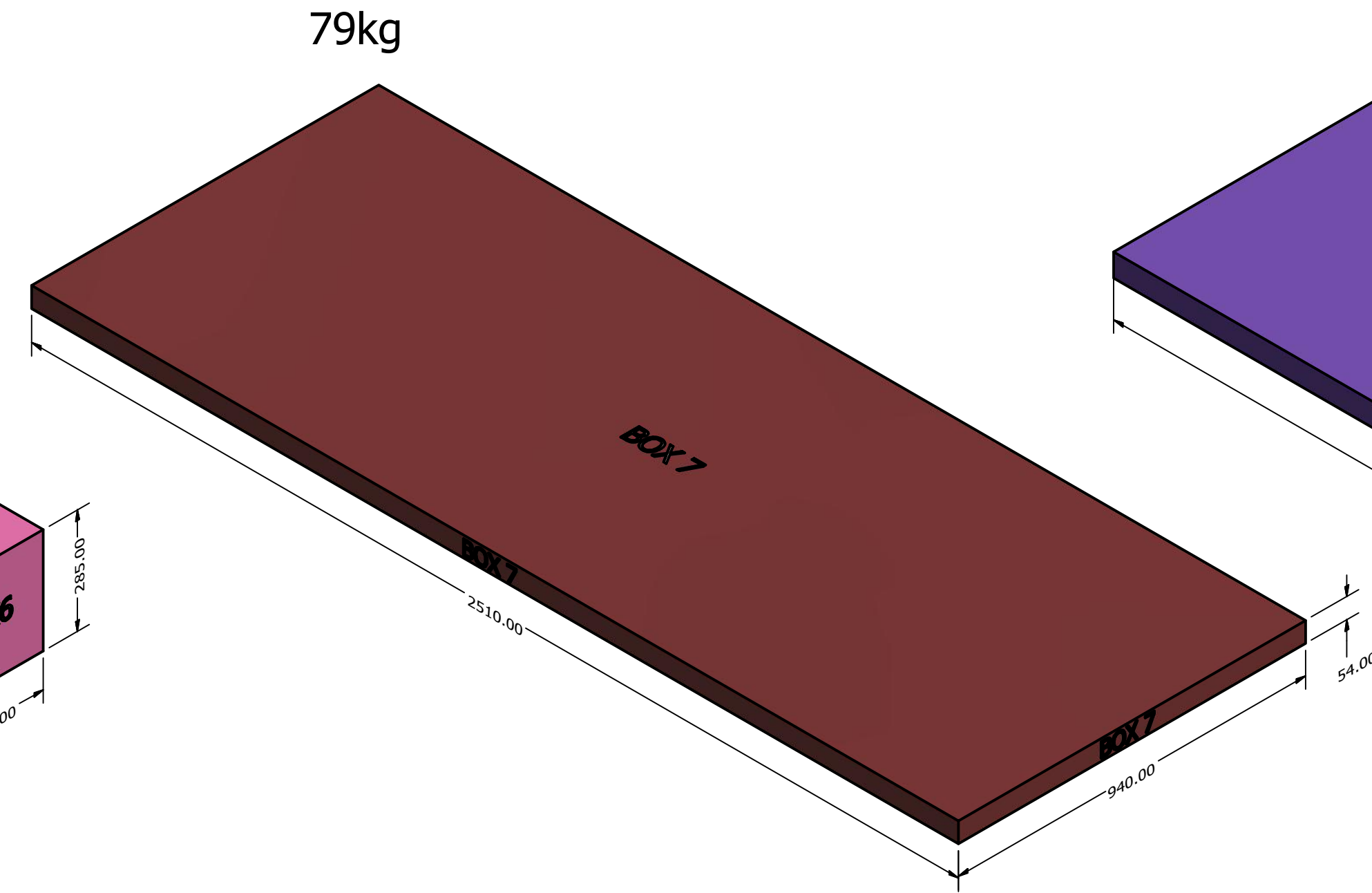
BOX5



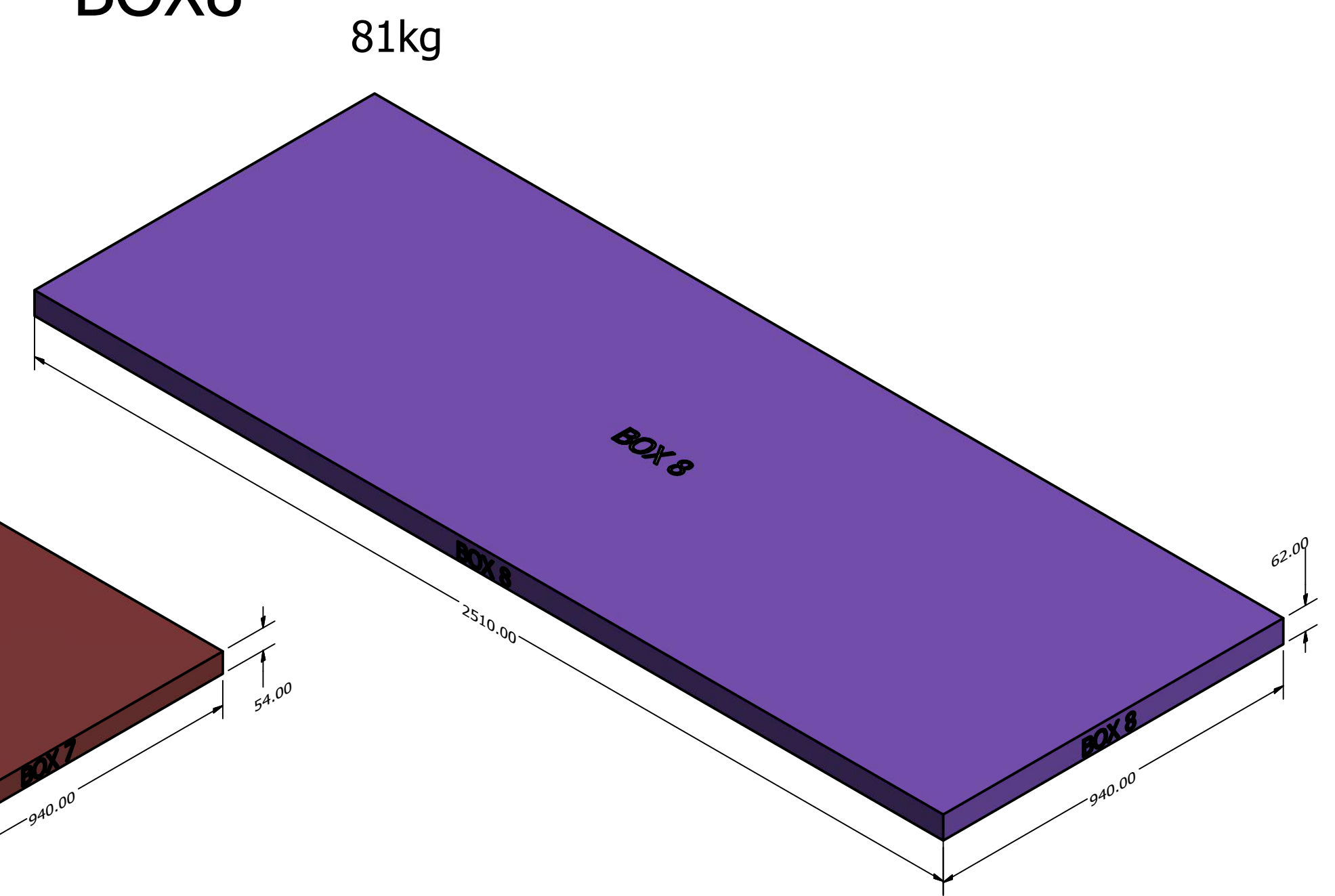
BOX6



BOX7



BOX8



DRAWN	Rudy	2019-12-16		
CHECKED			TITLE	
QA				
MFG				
APPROVED				
			SIZE	DWG NO
			D	BOXES
			SCALE	1 / 10
				SHEET 1 OF 1