

# ASSEMBLY INSTRUCTION

## SERVER WITH LED TOUCH LIGHT

**A**

Buffet



1 pc

**B**

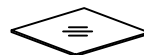
Glass L/R



2 pcs

**C**

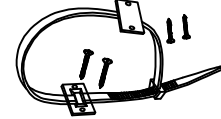
Glass



1 pc

**D**

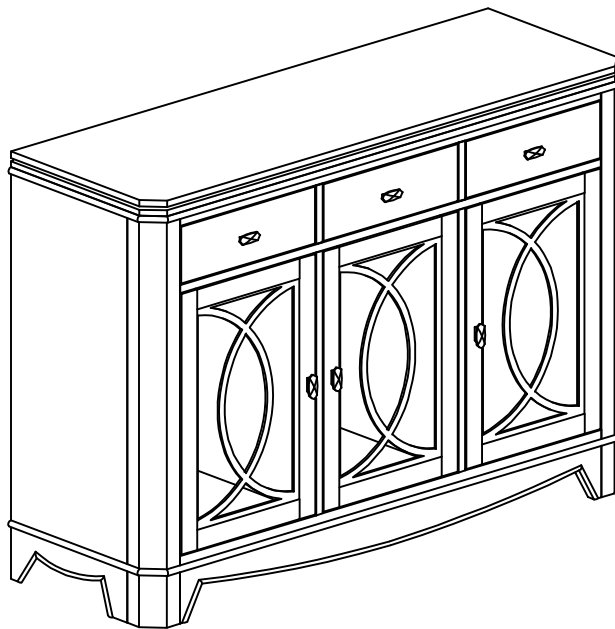
Tipping Restraint



1 set

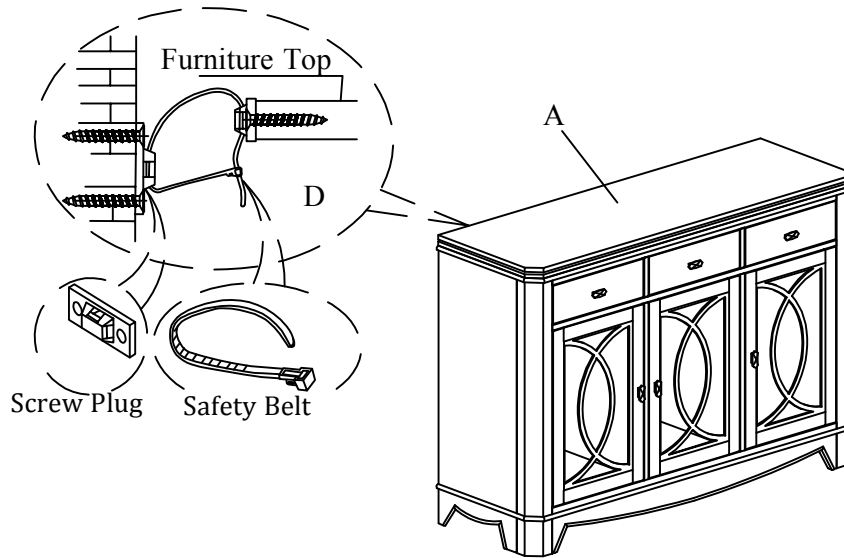
**E**Shelf Bracket  
Ø6.2 x 12mm x 18mm

12 pcs



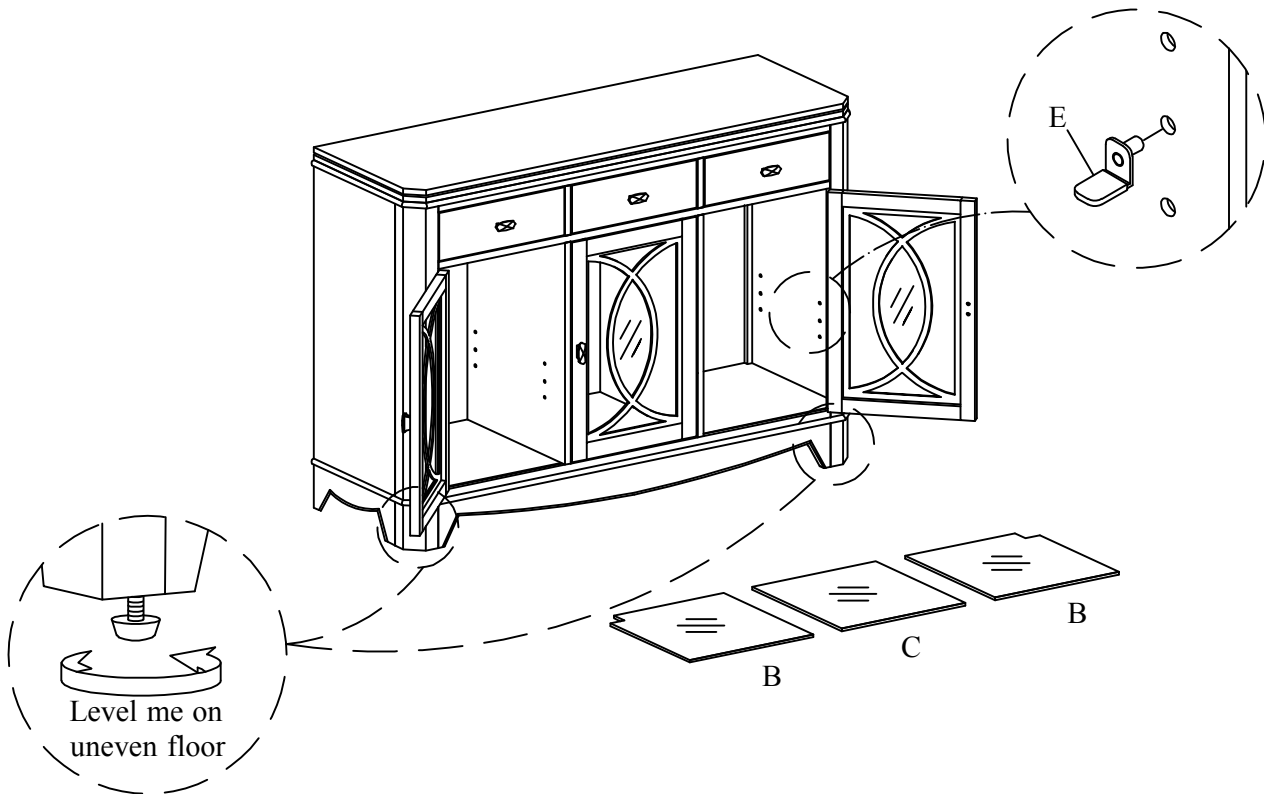
This page lists all the contents included in the box. Please take the time to identify the hardware as well as the individual components to this product. As you unpack and prepare for assembly, place the contents on a carpeted or padded area to protect them from damage.

**1** Attach Tipping Restraint (D). The Tipping Restraint is stapled at the back of the Buffet (A).



- 1) Drill holes at wall and insert screw plug into holes.
- 2) Move assembled unit to wall and screw in safety belt using screw.
- 3) Screw in safety belt at wall using screw.

**2** Insert Shelf Bracket (E) to pre-drilled holes, then put Glass L/R (B) in two sides and Glass (C) in the middle.



### Cleaning & Care

Treat surface with care. Surface is resistant to scratches but is not scratch resistant. Clean surfaces with a dry or damp soft cloth. Do not use abrasive cleaners. Hardware may loosen over time. Periodically check that all connections are tight.