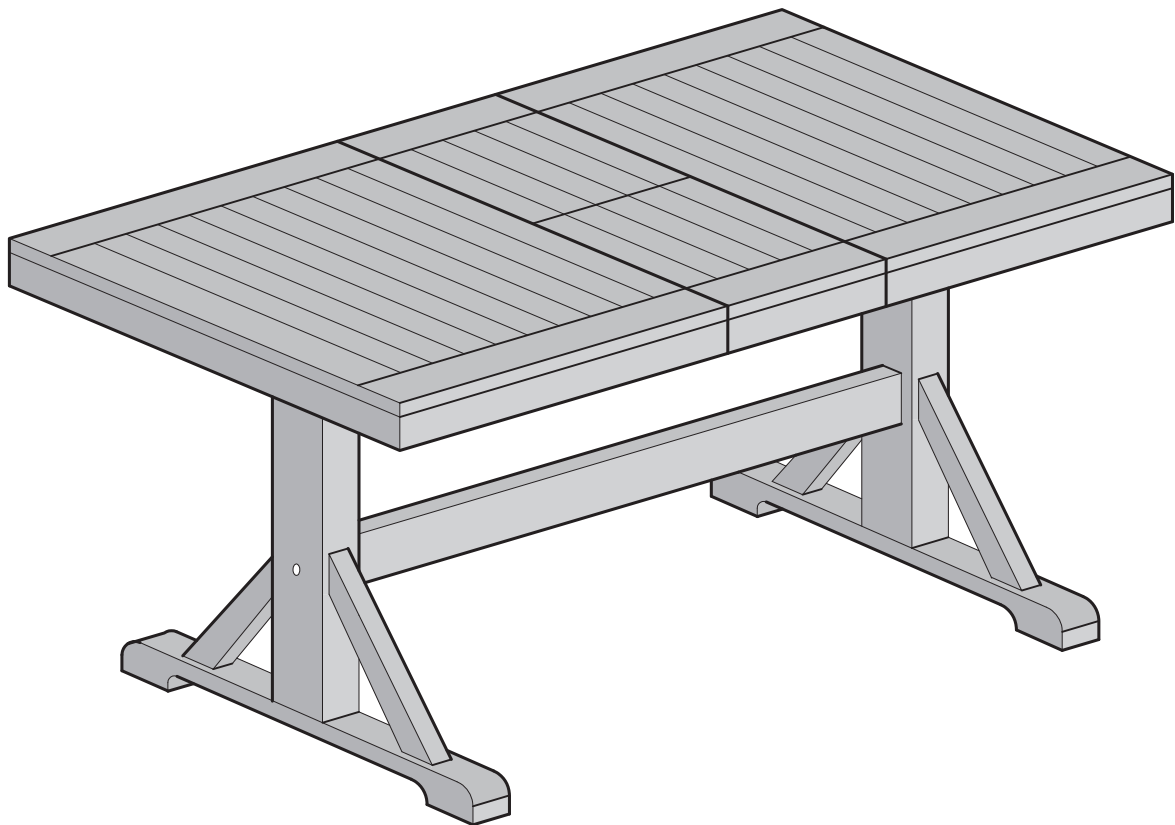




ITEM # : TW60W
Assembly Instructions

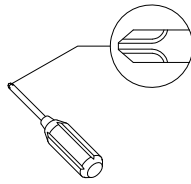


Please visit our website for the most current instructions, assembly tips, report damage, or request parts. www.walkeredison.com

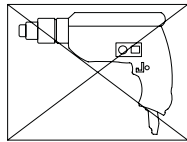
Revised 03/2017

General Assembly Guidelines

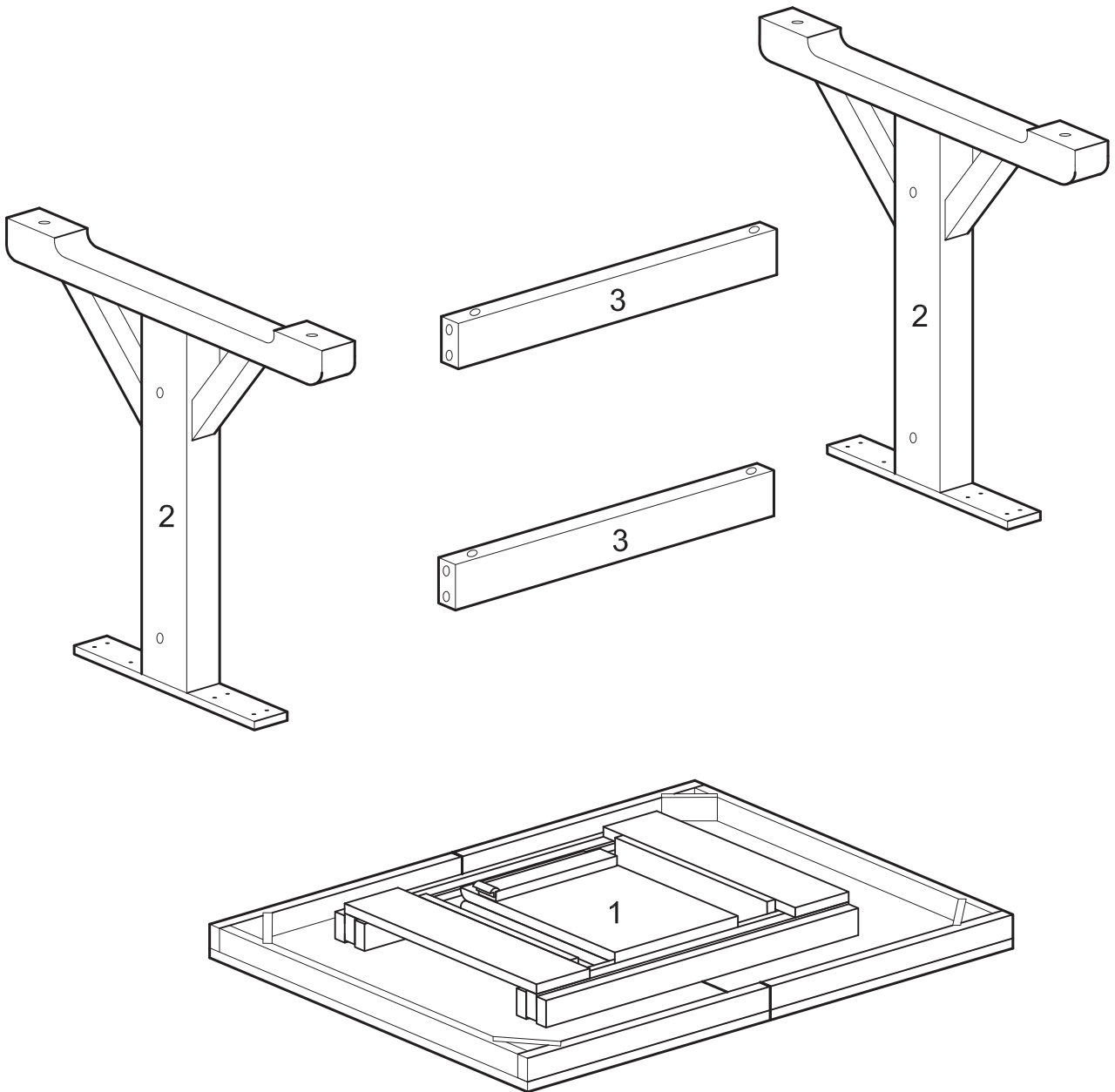
- I. Insure that all parts and hardware are available before beginning assembly.
- II. Follow each step carefully to insure the proper assembly of this product.
- III. Two people are recommended for ease in the assembly of this product.
- IV. The main types of hardware used to assemble this product are wood dowels, nuts, bolts, and screws.
- V. A Phillips head screwdriver is required for the assembly of this product.







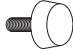


- VI. Power tools should not be used to assemble this product.



Parts List



Hardware List

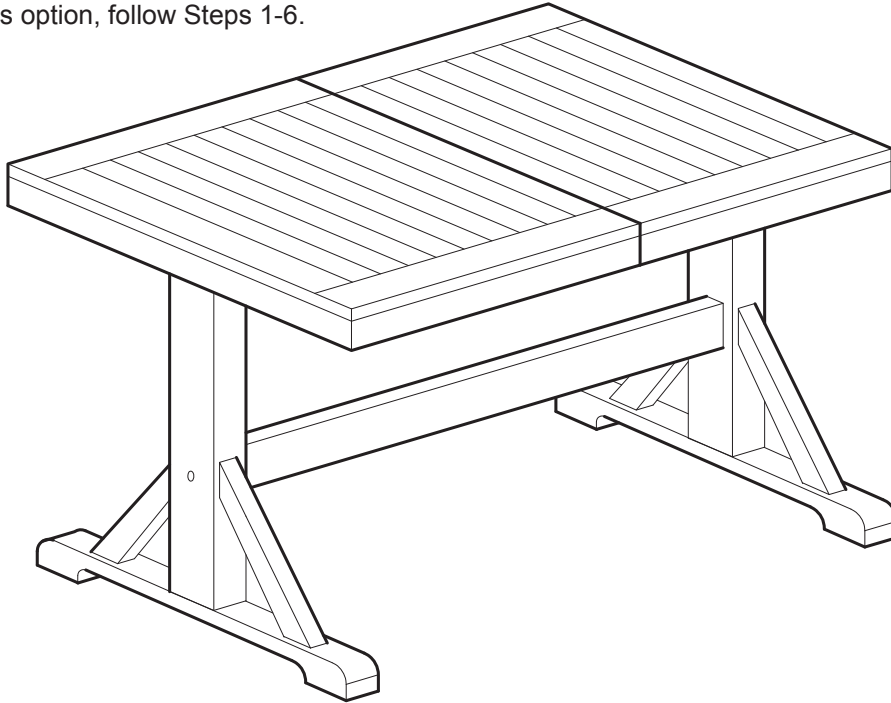
A		M10*35(mm)	Wood dowel	4 pcs
B		M6*90(mm)	Bolt	4 pcs
C			Nut	4 pcs
D		M4*32(mm)	Screw	16 pcs
E			Foot	4 pcs
F			Wood button	4 pcs
G		M4(mm)	Wrench	1 pc

*The hardware quantities listed above are required for proper assembly.
Some extra hardware may also have been included.*

Assembly Options

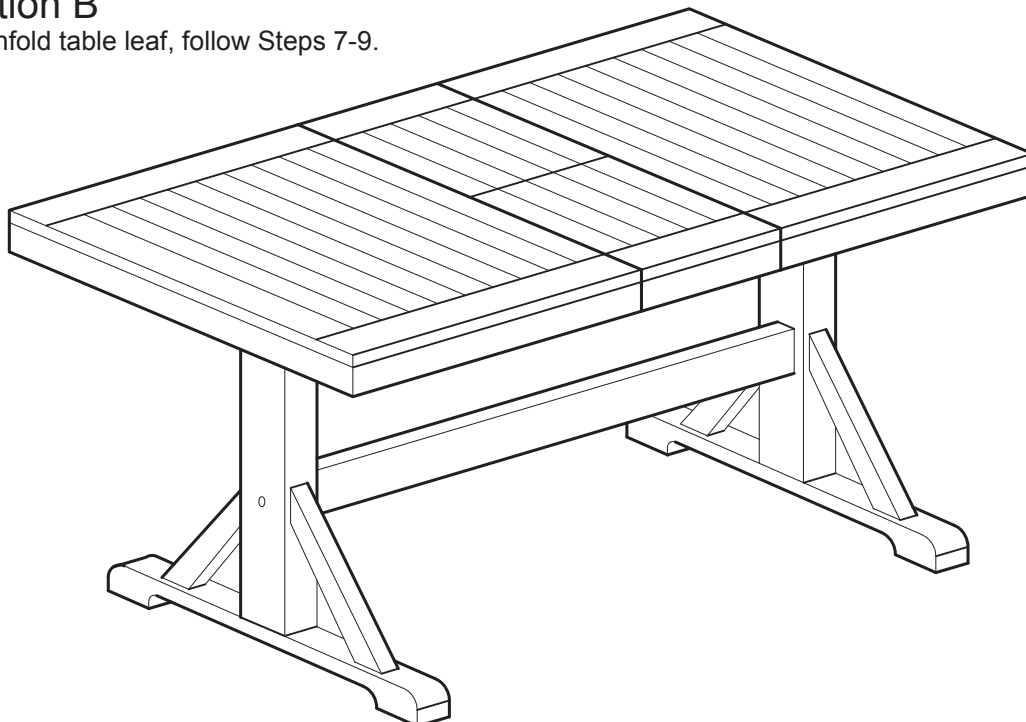
Option A

To build this option, follow Steps 1-6.

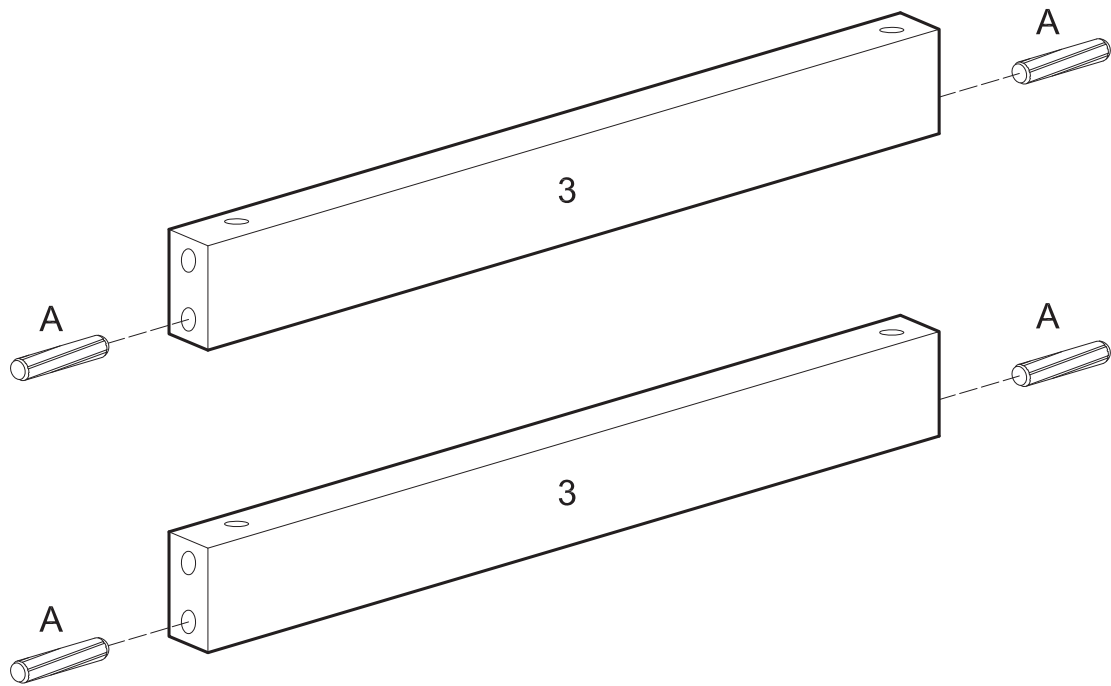


Option B

To unfold table leaf, follow Steps 7-9.

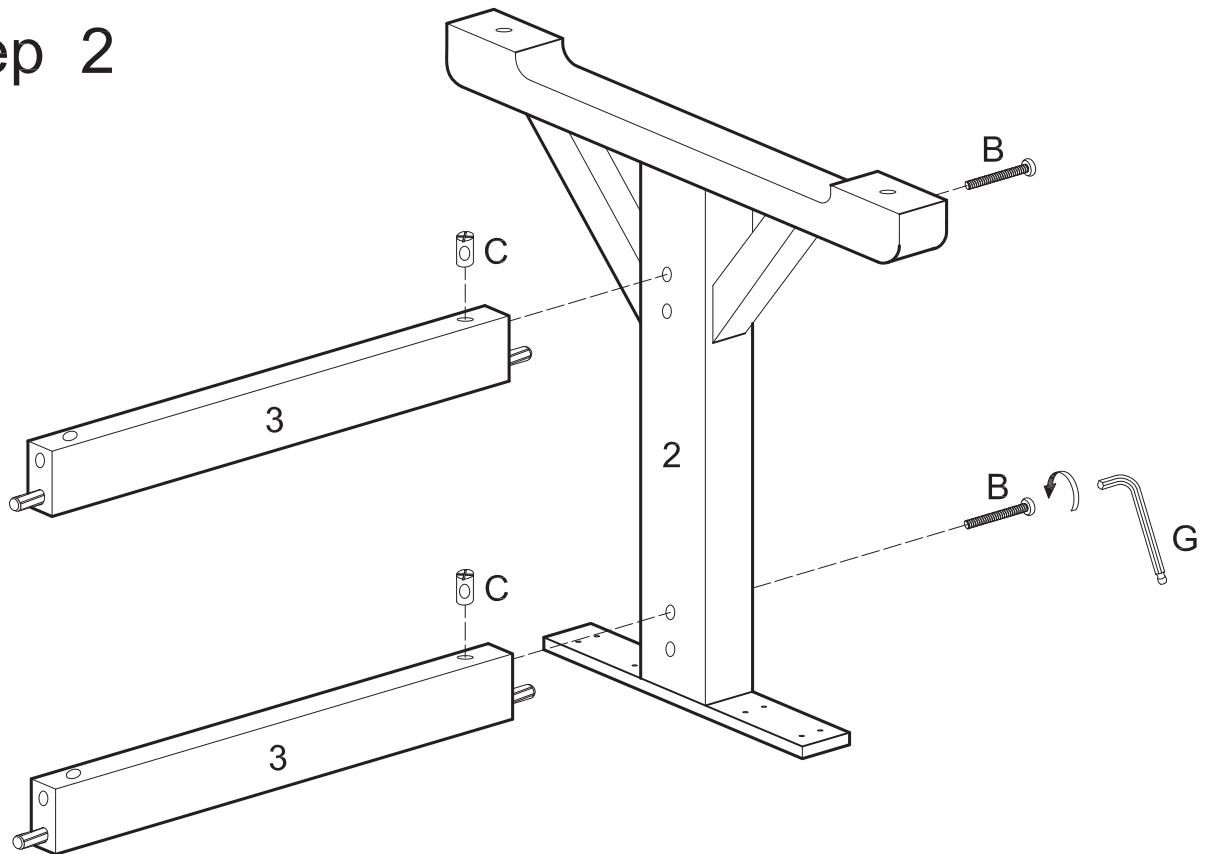


Step 1



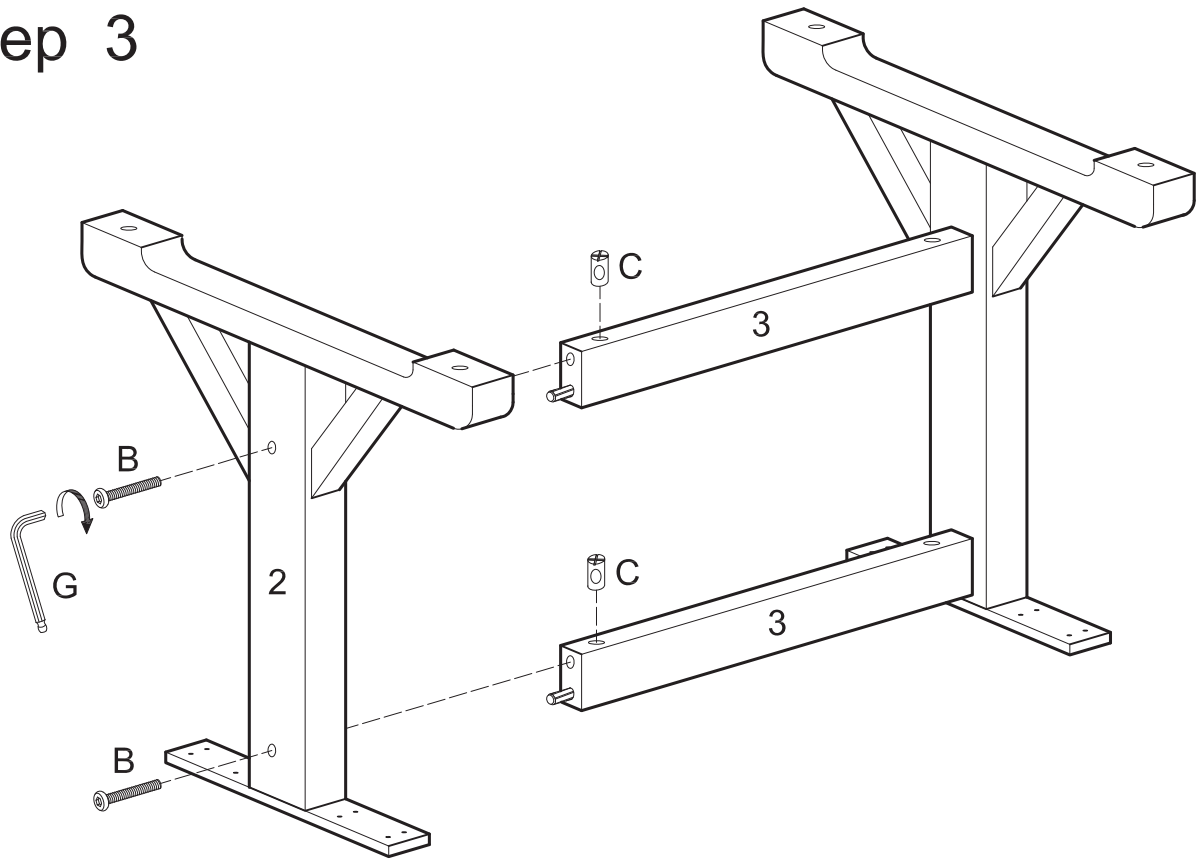
Insert dowels (A) into crossbars (3).

Step 2



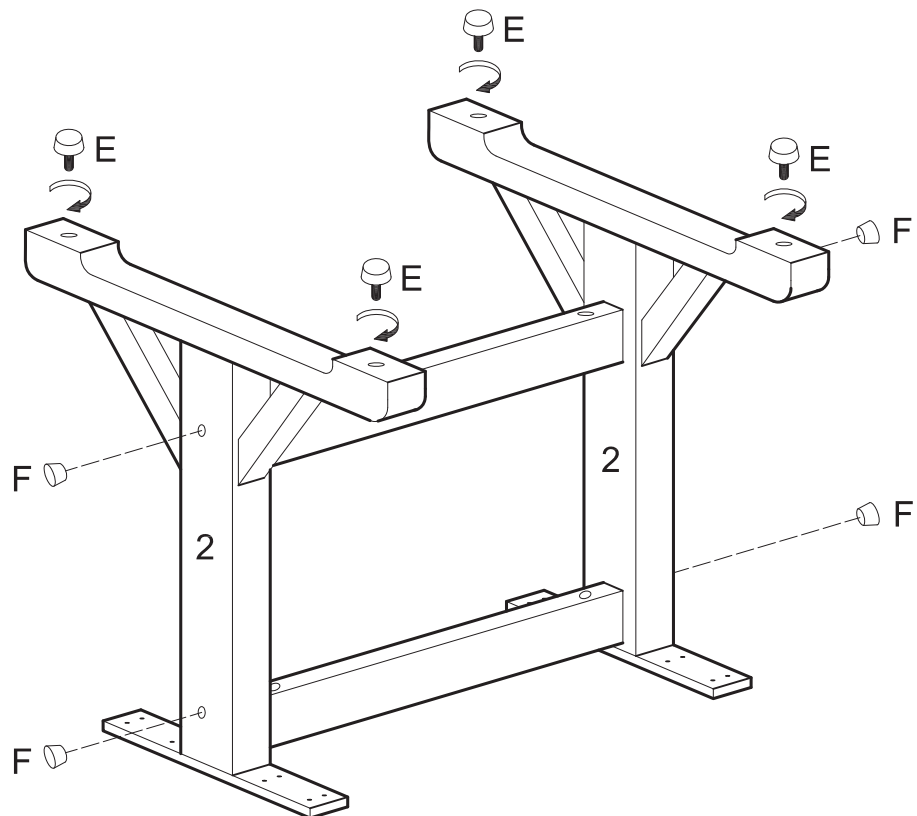
Insert nuts (C) into crossbars (3). Attach crossbars (3) to leg piece (2) using bolts (B). Tighten bolts (B) with wrench (G). Bolts (B) will screw directly into nuts (C).

Step 3



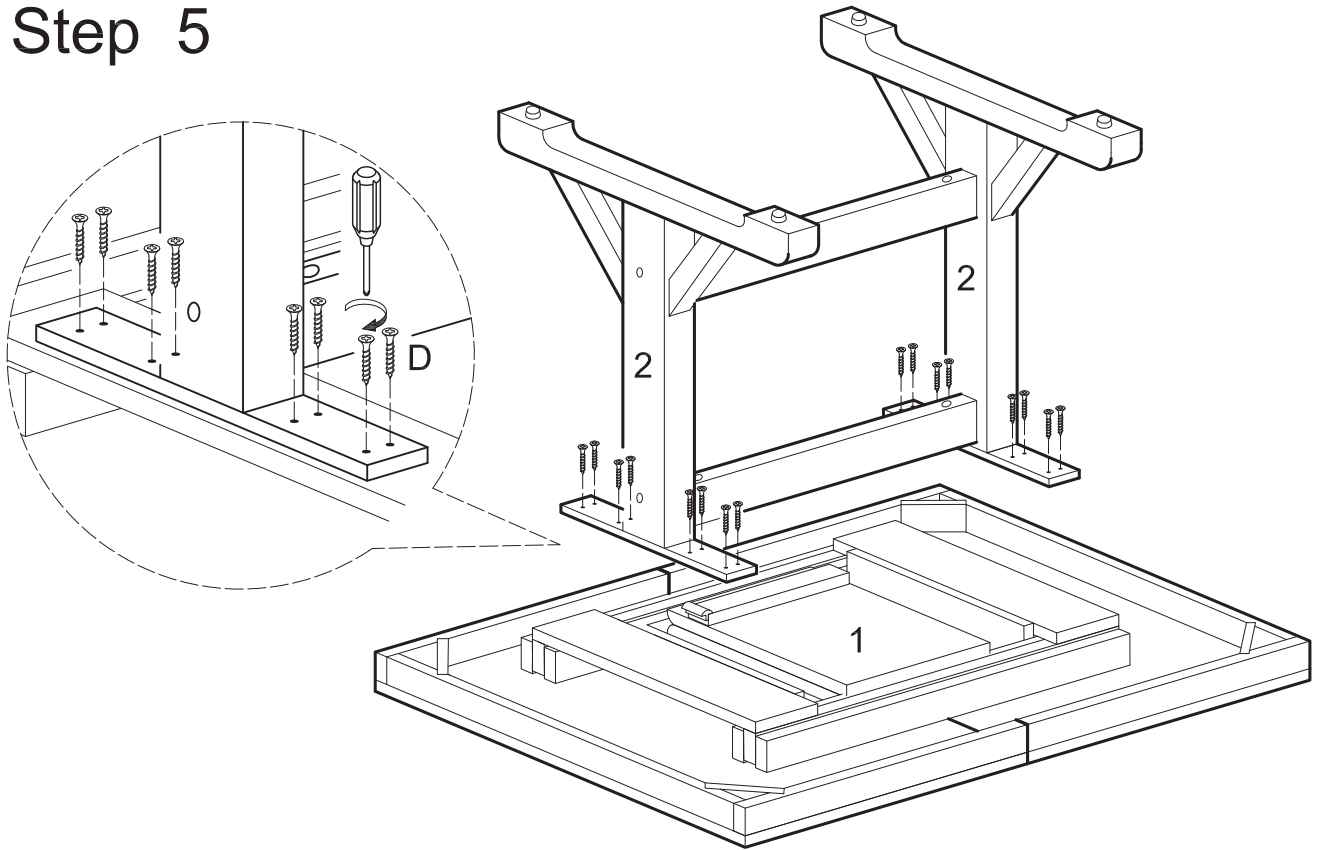
Insert nuts (C) into opposite ends of crossbars (3). Attach crossbars (3) to second leg piece (2) using bolts (B). Tighten bolts (B) with wrench (G). Bolts (B) will screw directly into nuts (C).

Step 4



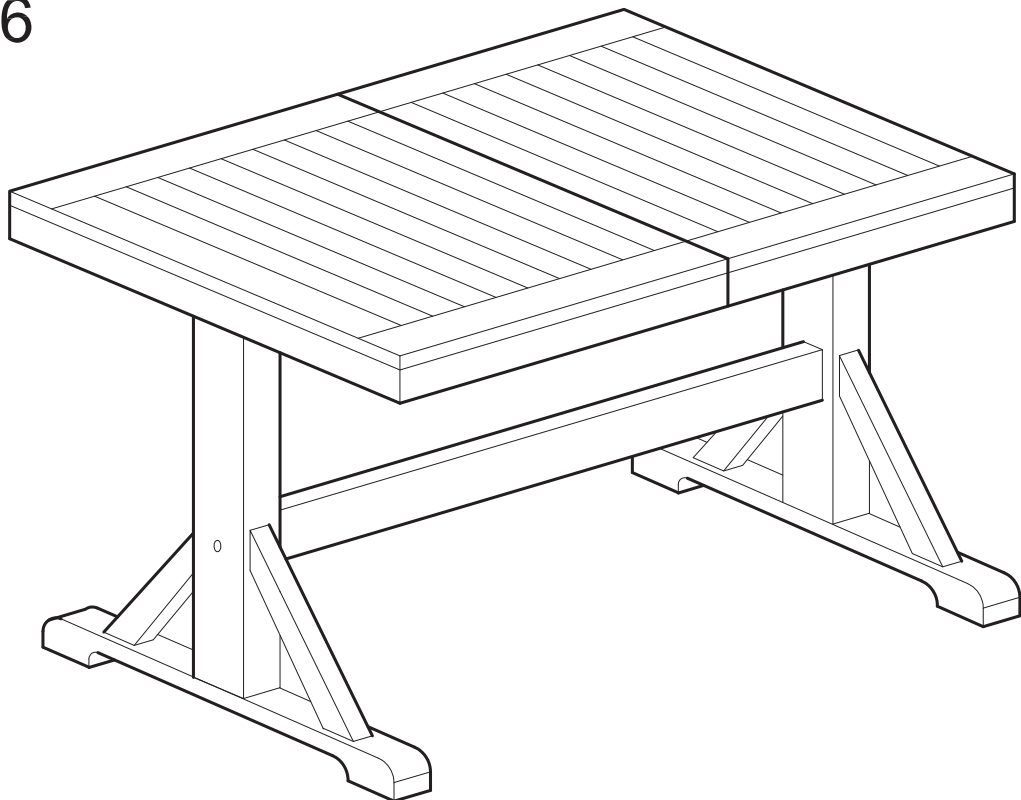
Screw feet (E) into leg pieces (2). Insert wood buttons (F) into leg pieces (2).

Step 5



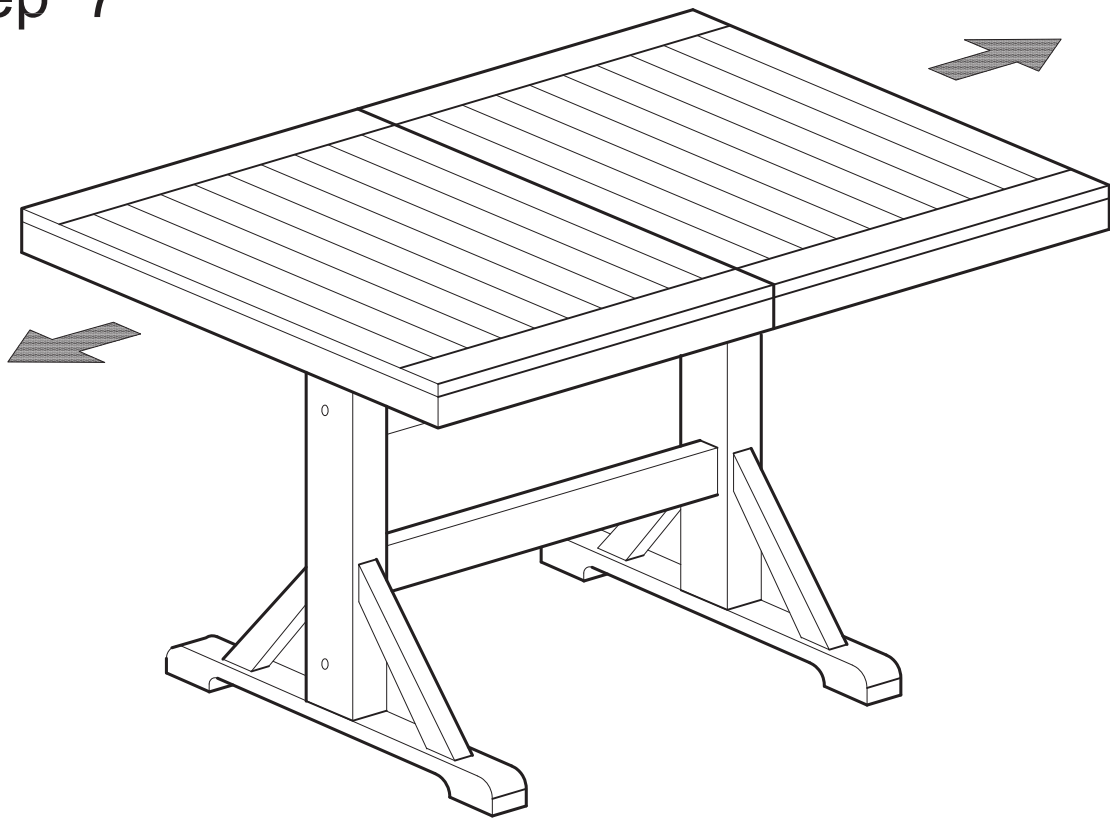
Attach leg pieces (2) to table top (1) using screws (D). Tighten all screws (D) with a screwdriver.

Step 6



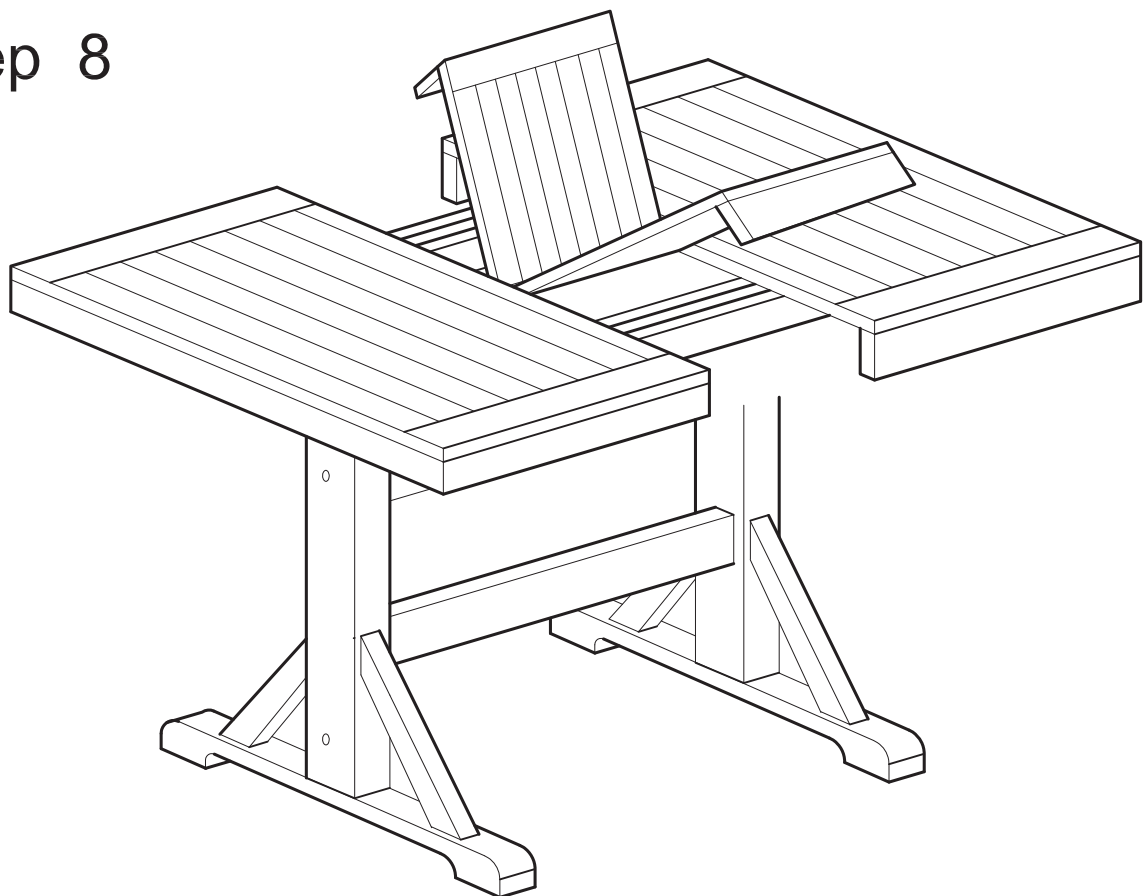
Option A
Final Assembly

Step 7



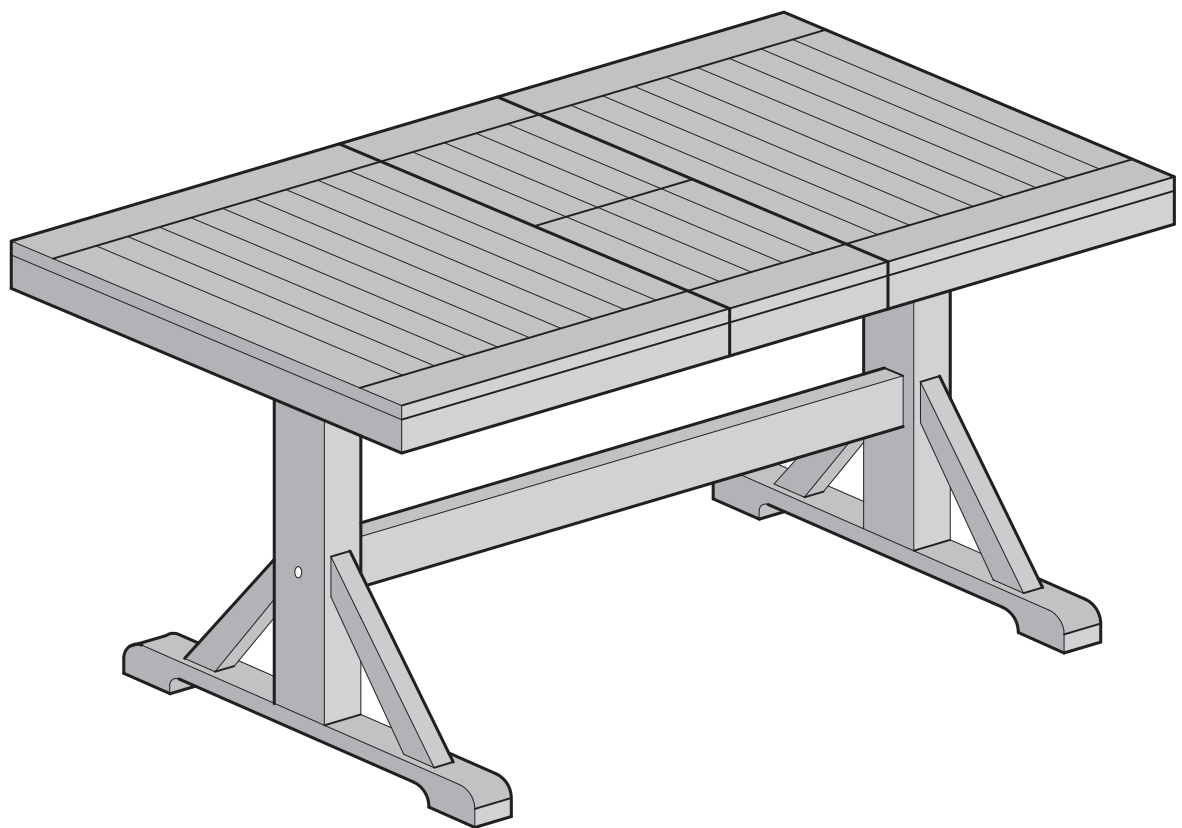
Carefully pull table apart.

Step 8



Carefully unfold center leaf of table.

Step 9



Option B
Final Assembly