



bestchoiceproducts



# INSTRUCTION MANUAL

---

## 3-Tier Wooden Floor Cabinet



bestchoiceproducts

---

As shoppers, we're always trying to find the perfect balance between quality & value. At BCP, we believe we've achieved that. Our diverse catalog of everyday essentials is tailored especially to our customers & guaranteed to hit that sweet spot of high quality & low price.

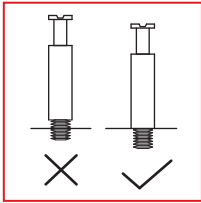
— Always. —

## ! NOTICE

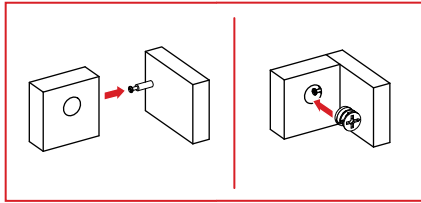
Please retain these instructions for future reference.

- Please do not exceed the weight limitations of this item.
- Do not stand on or use any part of this item as a step ladder.
- Firmly secure all bolts, screws, and knobs before use.
- Reconfirm that all bolts, screws, and knobs are secure every 90 days.
- Do not use or store this item in the proximity of open flame or flammable/combustible chemicals.
- If any parts are missing, broken, damaged, or worn, stop using this item until repairs are made and/or factory replacement parts are installed.
- Do not use this item in a way inconsistent with the manufacturer's instructions as this could void the product warranty.

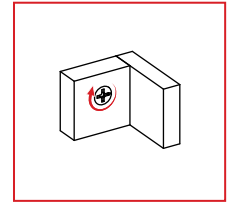
## TIGHTENING CAMLOCKS



1. Screw cam bolt in completely.



2. Insert cam bolt and cam lock into designated holes.



3. Screw cam lock clockwise to secure cam bolt.

## TOOLS REQUIRED



PHILLIPS  
SCREWDRIVER



DRILL  
& DRILL BIT  
(OPTIONAL)



20 LBS  
CAPACITY  
TOP PANEL



15 LBS  
CAPACITY  
INNER SHELF



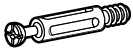
1 PERSON  
ASSEMBLY



APPROXIMATELY  
30 MIN.  
ASSEMBLY

## HARDWARE

1 CAM BOLT



8 PCS

2 CAM LOCK



8 PCS

3 DOWEL



8 PCS

4 M4 X 25MM  
SCREW



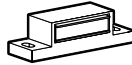
8 PCS

5 M4 X 35MM  
SCREW



8 PCS

6 MAGNETIC  
CATCH



1 PC

7 METAL PLATE



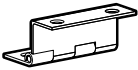
1 PC

8 M3 X 12MM  
SCREW



11 PCS

9 HINGE



2 PCS

10 M4 X 20MM  
SCREW



1 PC

11 KNOB



1 PC

12 SHELF PEG



4 PCS

13 ATTACHMENT  
PLATE



1 PC

14 M4 X 12MM  
SCREW



1 PC

15 WALL ANCHOR



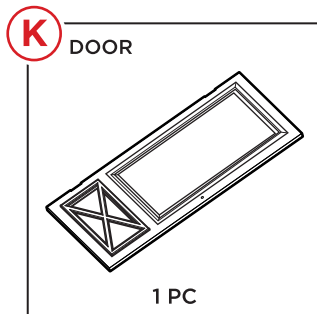
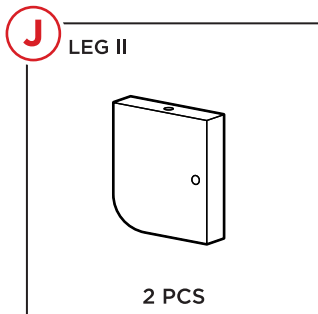
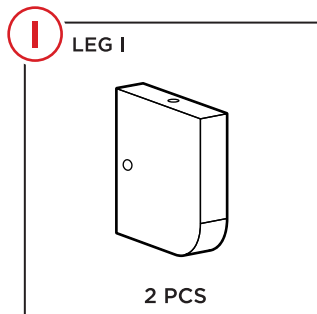
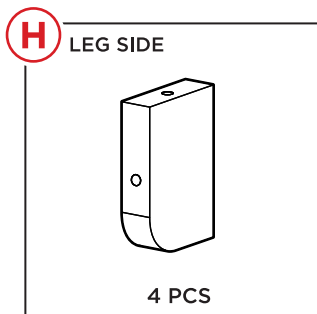
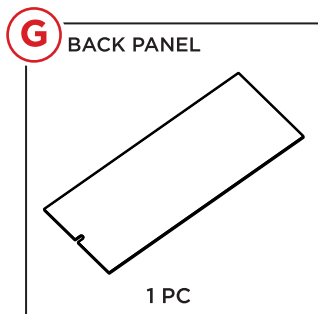
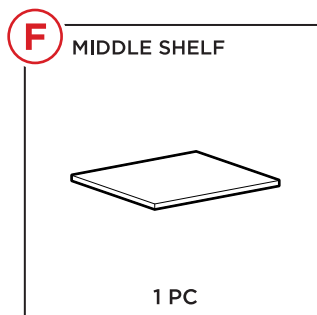
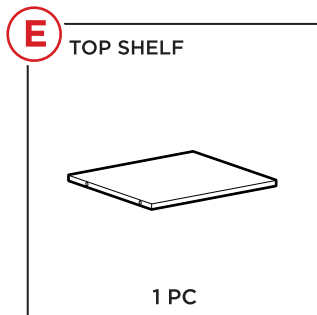
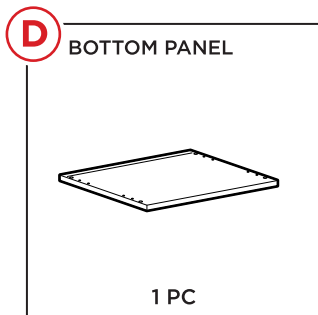
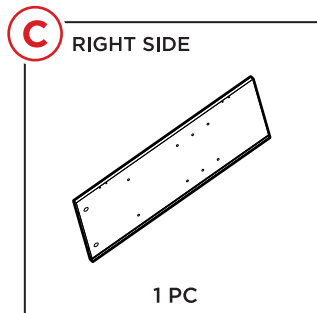
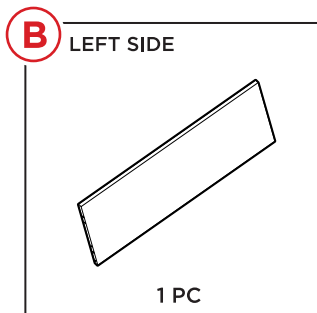
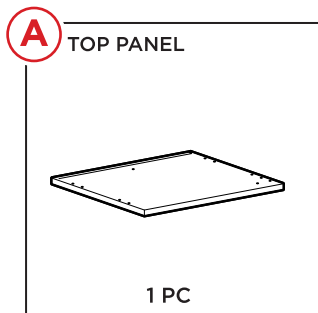
1 PC

16 M4 X 35MM  
WALL SCREW



1 PC

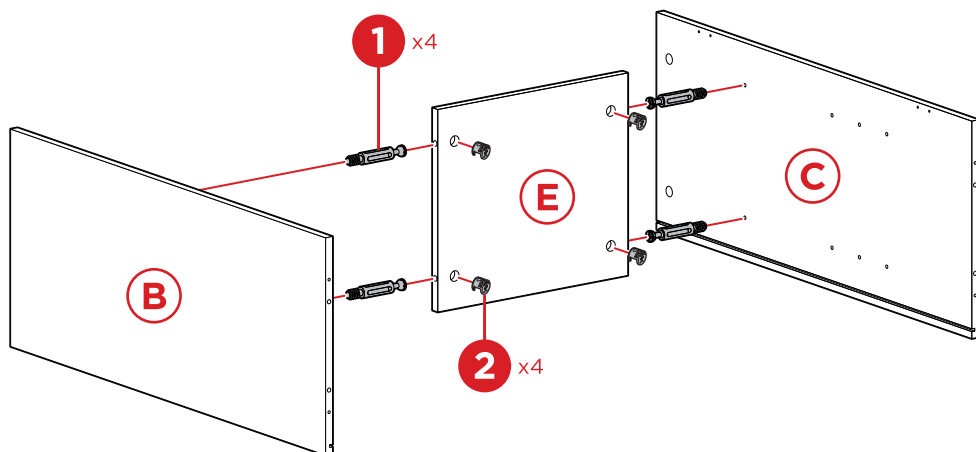
# PARTS



## PRODUCT ASSEMBLY

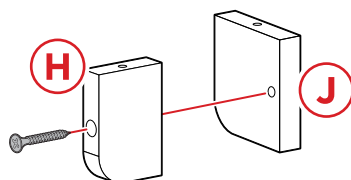
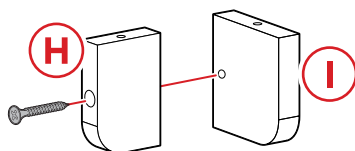
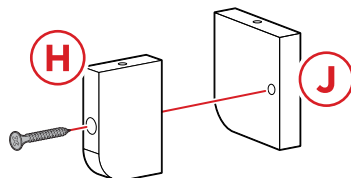
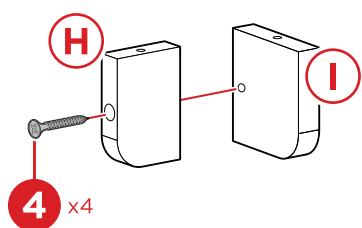
1

Screw four part 1 cam bolts into part B left side and part C right side.  
Attach the sides to the part E top shelf with four part 2 cam locks.



2

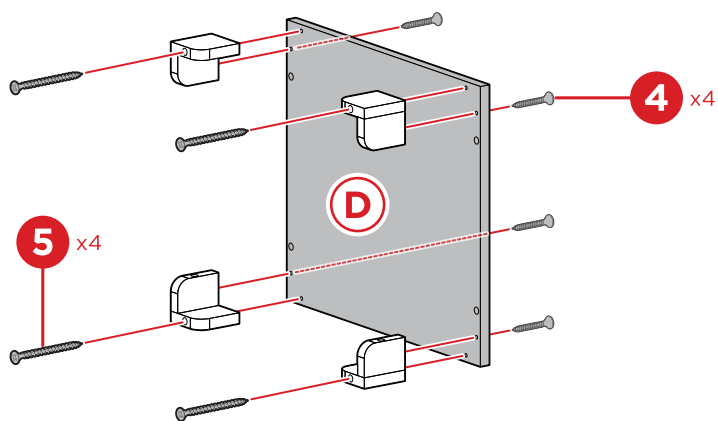
Attach four part H leg sides to two part I legs and two part J legs with four part 4 screws.



## PRODUCT ASSEMBLY

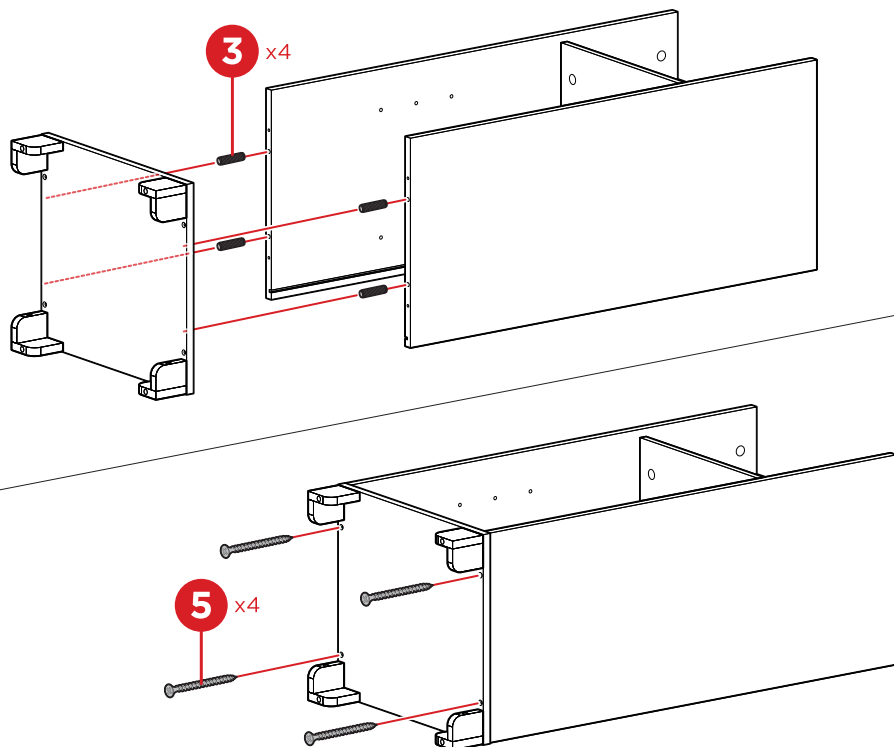
3

Attach the assembled legs to part D bottom panel with four part 4 screws and four part 5 screws.



4

Attach the sides to the bottom panel with four part 3 dowels and four part 5 screws.

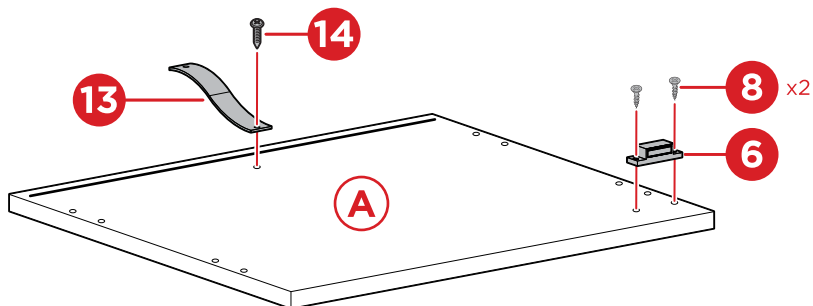


## PRODUCT ASSEMBLY

**5**

Attach the part 13 attachment plate to part A top panel with part 14 screw.

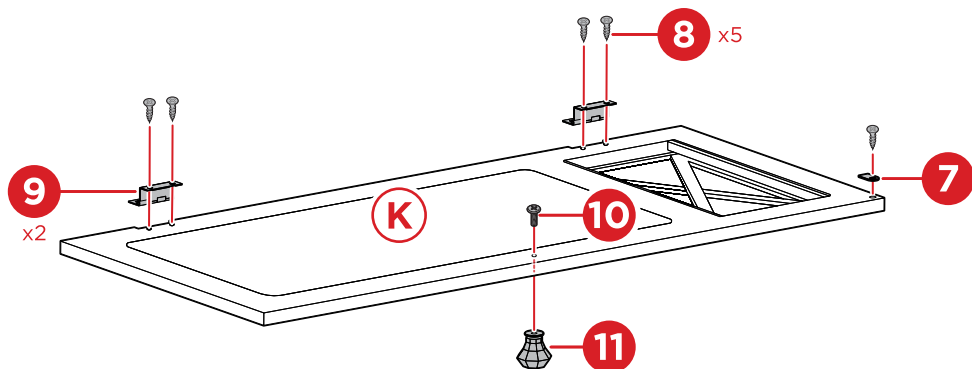
Attach the part 6 magnetic catch with two part 8 screws.



**6**

Attach two part 9 hinges and part 7 metal plate to the part K door with five part 8 screws.

Attach the part 11 knob with the part 10 screw.





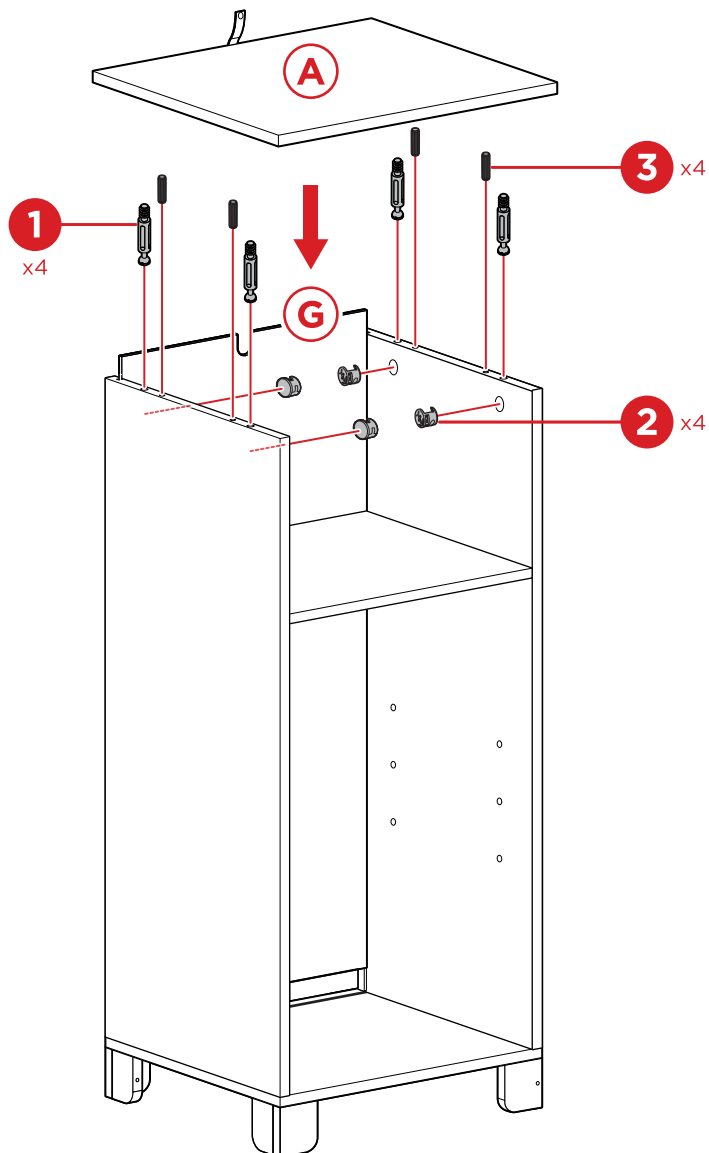
## PRODUCT ASSEMBLY

7

Slide in the part G back panel.

Screw four part 1 cam bolts into the part A top panel.

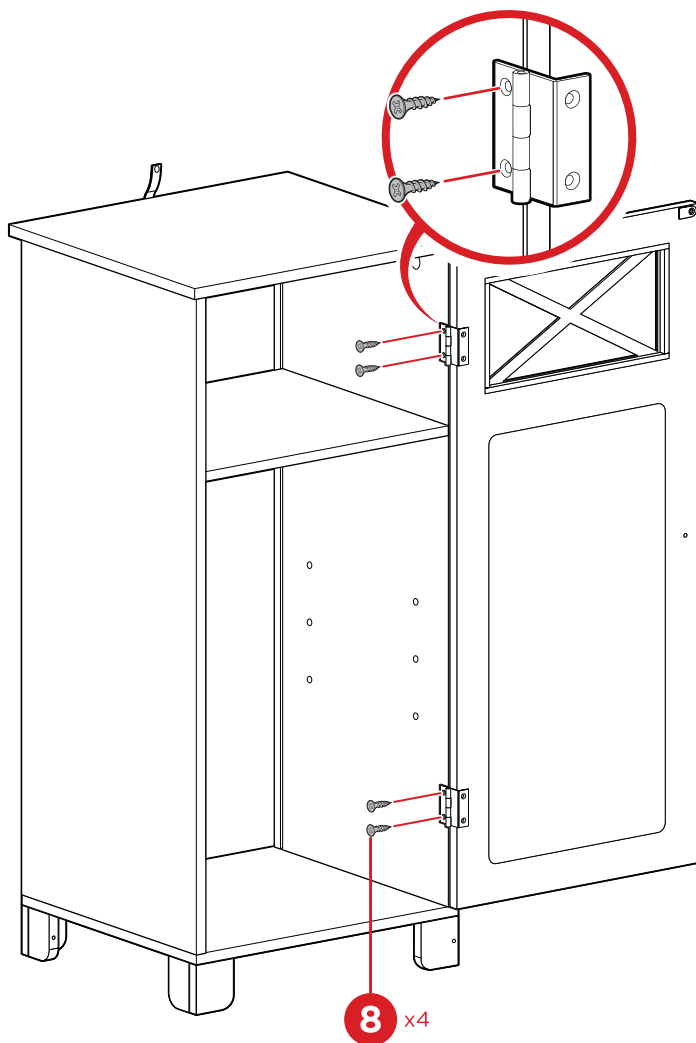
Attach the top panel with four part 2 cam locks and four part 3 dowels.



## PRODUCT ASSEMBLY

8

Attach the door with four part 8 screws.



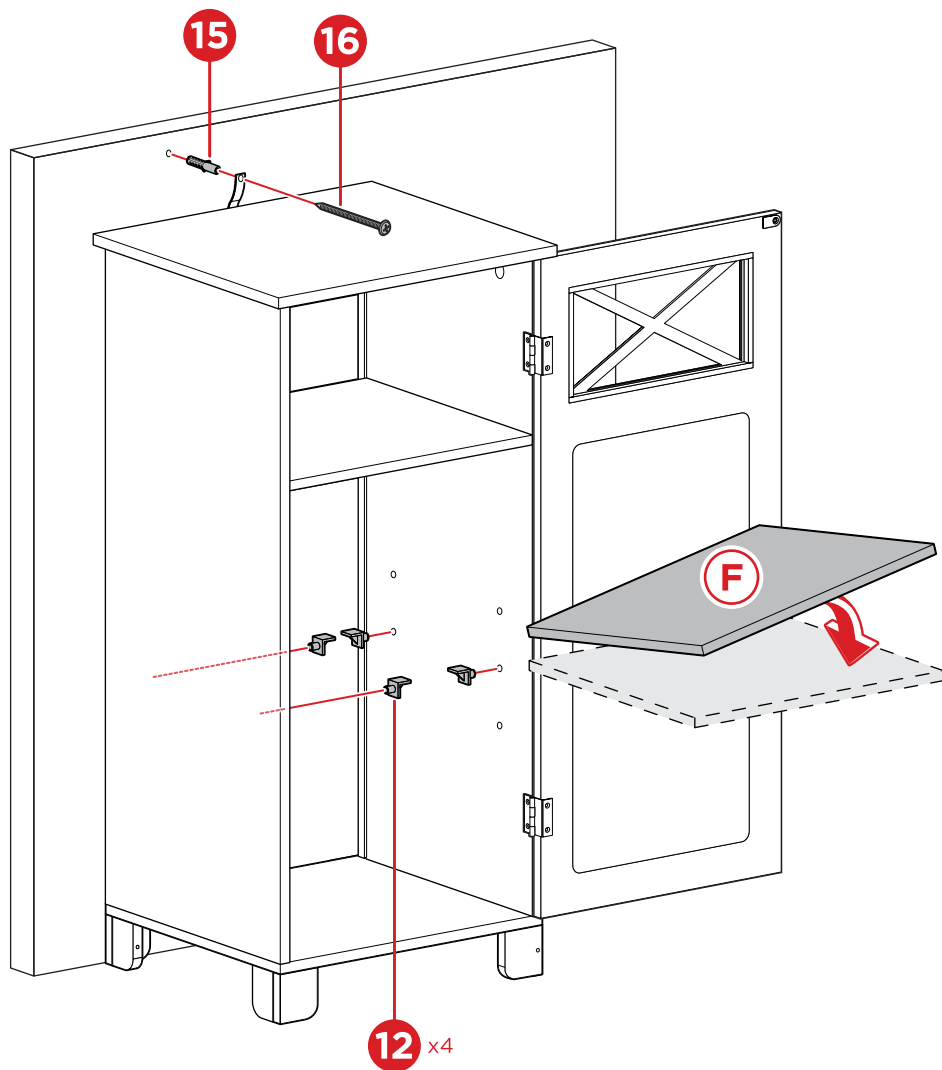
## PRODUCT ASSEMBLY

9

Insert four part 12 shelf pegs and place the part F middle shelf.

**NOTE:** Insert the shelf at an angle.

If desired, secure the attachment plate to the wall with the part 15 wall anchor and part 16 wall screw.





# HELP CENTER



Question about your product? We're here to help. Visit us at:

[help.bestchoiceproducts.com](http://help.bestchoiceproducts.com)



Chat Support



Product Inquiry



Orders FAQ



Product Assembly



Returns & Refunds

## PRODUCT WARRANTY INFORMATION

All items can be returned for any reason within 60 days of the receipt and will receive a full refund as long as the item is returned in its original product packaging and all accessories from its original shipment are included. All returned items will receive a full refund back to the original payment method. All returned items will not be charged a re-stocking fee.

All returned items require an RA (Return Authorization) number, which can only be provided by a Best Choice Products Customer Service Representative when the return request is submitted. Items received without an RA may not be accepted or may increase your return processing time. Once an item has been received by Best Choice Products, refunds or replacements will be processed within 5 business days.

All returns must be shipped back to the Best Choice Products Return Center at the customer's expense. If the reason for return is a result of an error by Best Choice Products then Best Choice Products will provide a pre-paid shipping label via email. Boxes for return shipping will not be provided by Best Choice Products, and is the customer's responsibility to either use the original shipping boxes or purchase new boxes.

Pictures may be required for some returns to ensure an item is not damaged prior to its return. Items returned are not considered undamaged until they are received by Best Choice Products and verified as such. All damages to items are the customer's responsibility until the item has been received by and acknowledge by Best Choice Products as undamaged.

## WARNING

Manufacturer and seller expressly disclaim any and all liability for personal injury, property damage or loss, whether direct, indirect, or incidental, resulting from the incorrect attachment, improper use, inadequate maintenance, or neglect of this product.