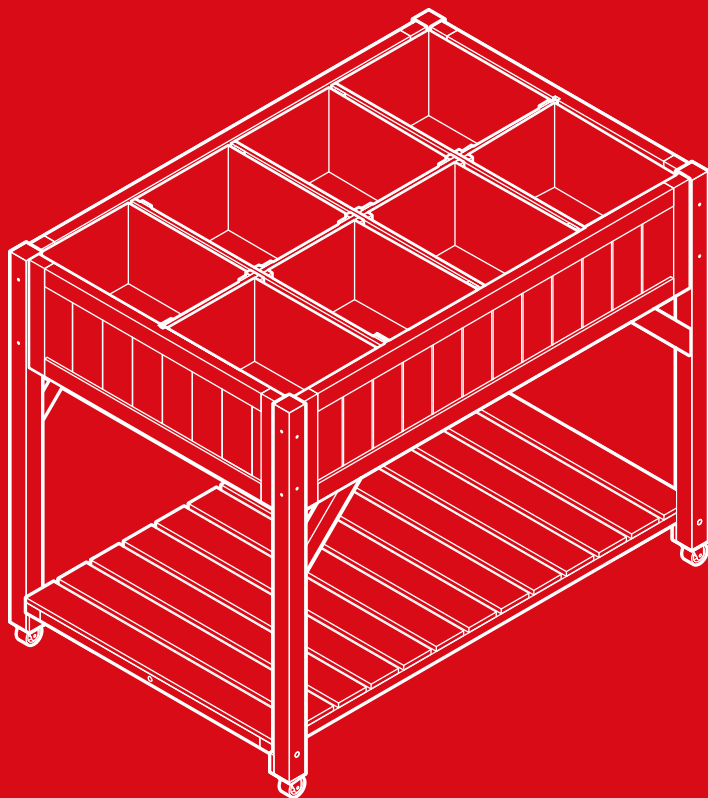




BEST CHOICE
PRODUCTS



INSTRUCTION MANUAL

Mobile Pocket Herb
Garden Bed

! NOTICE

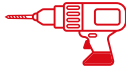
Please retain these instructions for future reference.

- Do not stand on or use any part of this item as a step ladder.
- Firmly secure all bolts, screws, and knobs before use.
- Reconfirm that all bolts, screws, and knobs are secure every 90 days.
- Fasten screws loosely during initial assembly. Do not firmly tighten the screws until the item is completely assembled.
- Do not use or store this item in the proximity of open flame or flammable/combustible chemicals.
- Be aware that some parts are heavy and have sharp edges.
- If any parts are missing, broken, damaged, or worn, stop using this product until repairs are made and/or factory replacement parts are installed.
- Do not use this item in a way inconsistent with the manufacturer's instructions as this could void the product warranty.
- This item is made of wood and may expand due to moisture.

TOOLS REQUIRED



PHILLIPS
SCREWDRIVER



POWER DRILL
(OPTIONAL)



470 LBS
BED
CAPACITY



110 LBS
SHELF
CAPACITY



1 PERSON
ASSEMBLY



UP TO 45 MIN.
ASSEMBLY

HARDWARE

1

3.5 x 55mm
SCREW



30 PCS

2

3 x 14mm
SCREW



6 PCS

3

BRACKET



2 PCS

4

CASTER



2 PCS

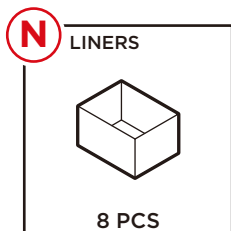
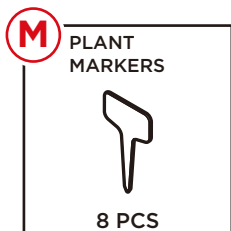
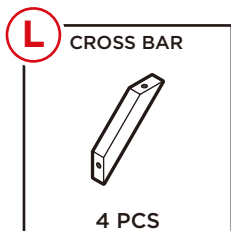
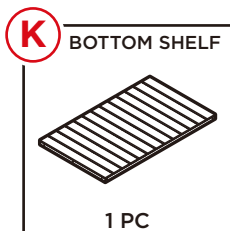
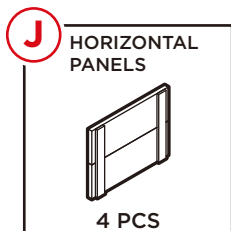
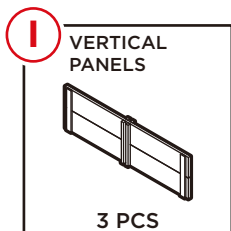
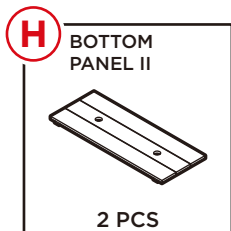
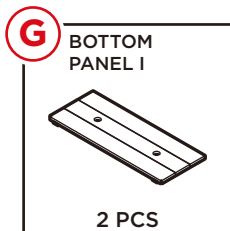
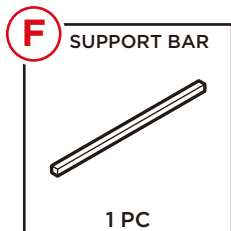
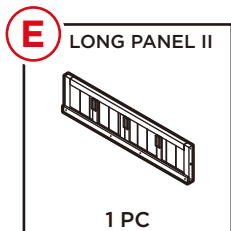
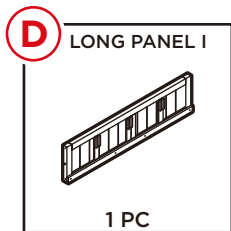
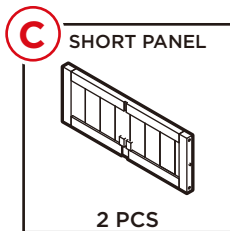
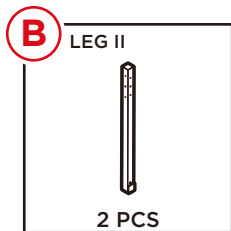
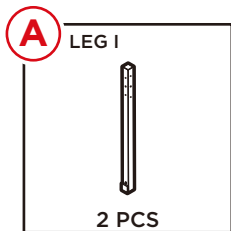
5

LOCKING
CASTER



2 PCS

PARTS



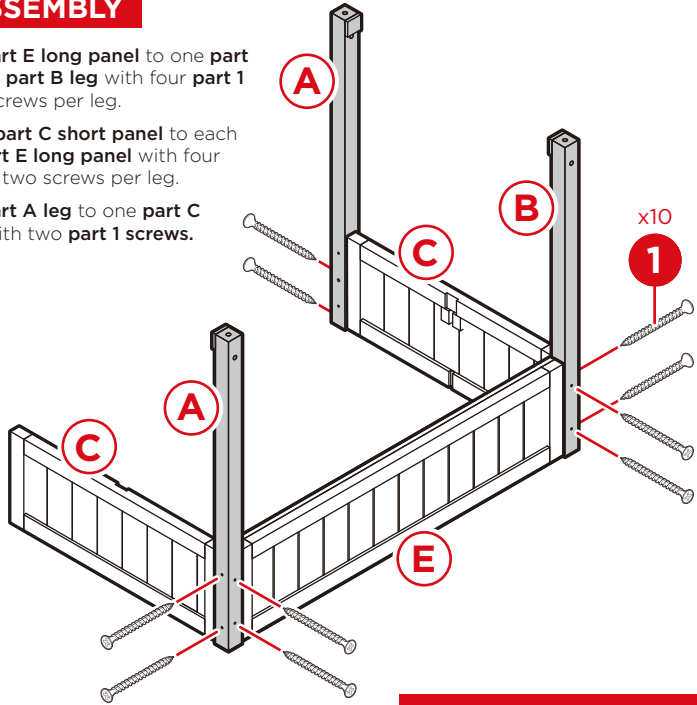
PRODUCT ASSEMBLY

1

Attach one **part E long panel** to one **part A leg** and one **part B leg** with four **part 1 screws**, two screws per leg.

Connect one **part C short panel** to each end of the **part E long panel** with four **part 1 screws**, two screws per leg.

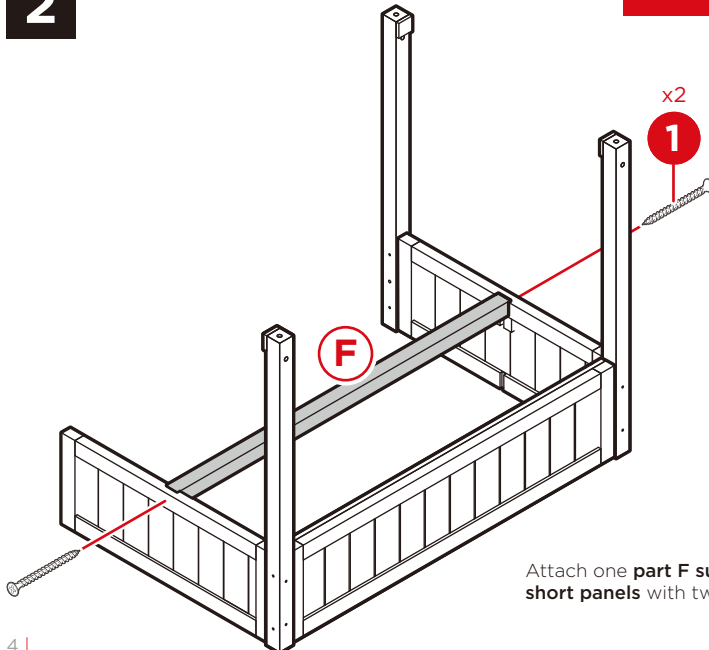
Attach one **part A leg** to one **part C short panel** with two **part 1 screws**.



2



Before securing the legs, make sure the caster hole is facing upward.



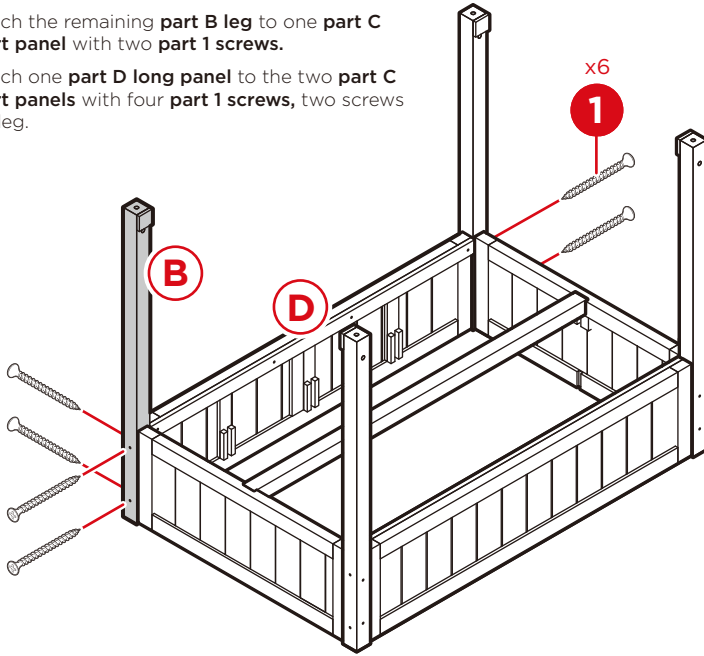
Attach one **part F support bar** to the two **part C short panels** with two **part 1 screws**.

PRODUCT ASSEMBLY

3

Attach the remaining **part B** leg to one **part C** short panel with two **part 1** screws.

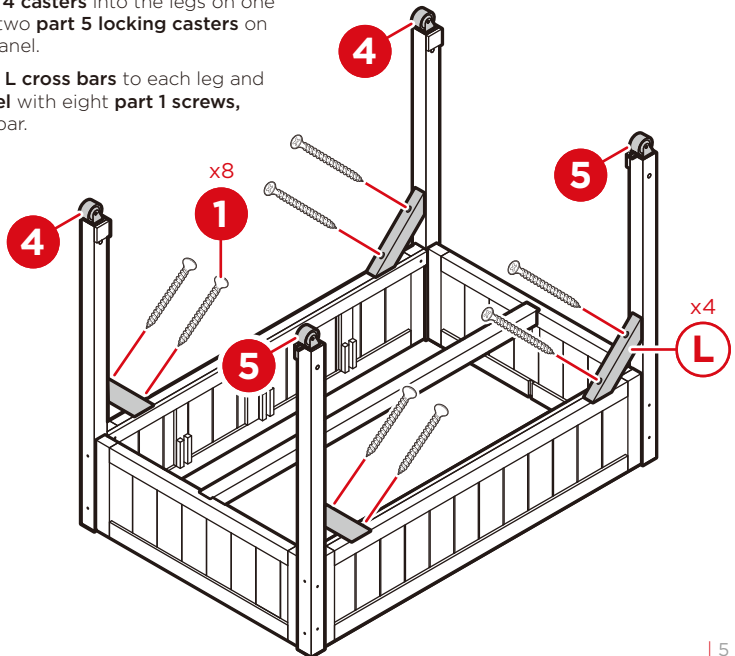
Attach one **part D** long panel to the two **part C** short panels with four **part 1** screws, two screws per leg.



4

Attach two **part 4** casters into the legs on one long panel, and two **part 5** locking casters on the other long panel.

Attach four **part L** cross bars to each leg and **part E** long panel with eight **part 1** screws, two screws per bar.

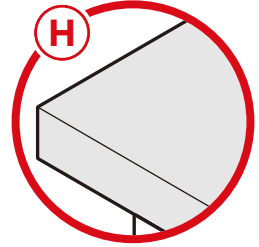
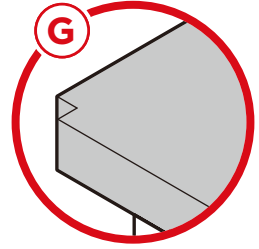
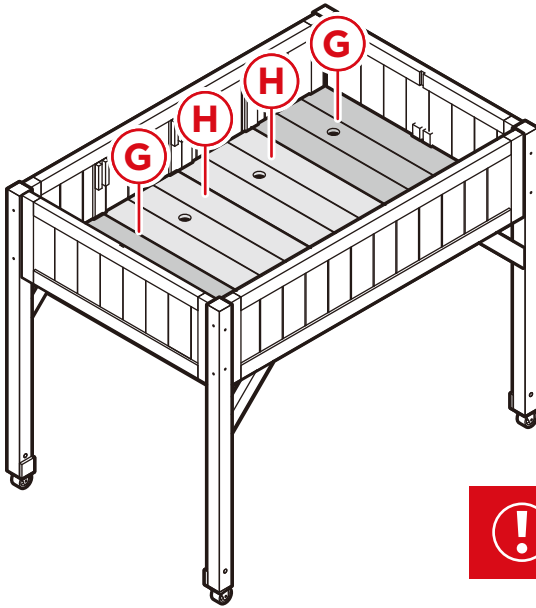


PRODUCT ASSEMBLY

5

Insert two **part G** panels and two **part H** panels into the bed assembly.

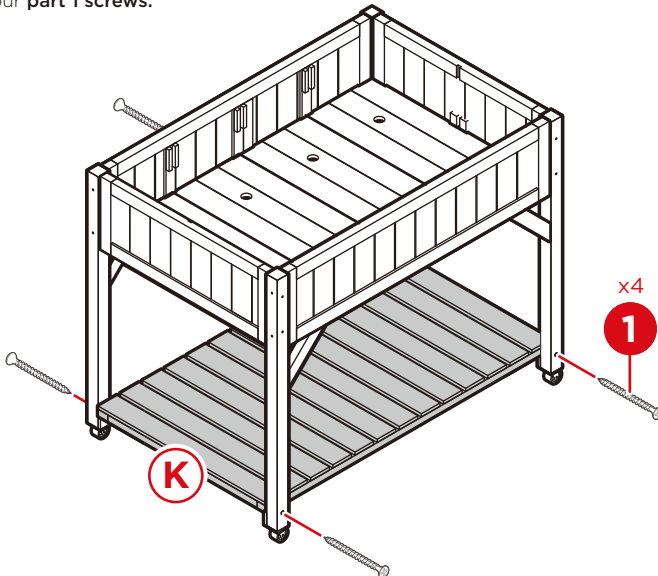
NOTE: Arrange the panels as follows: **G, H, H, G**



There will be a slight gap between the two H panels, this is normal and will reduce warping from moisture.

6

Attach the **part K** bottom shelf with four **part 1** screws.

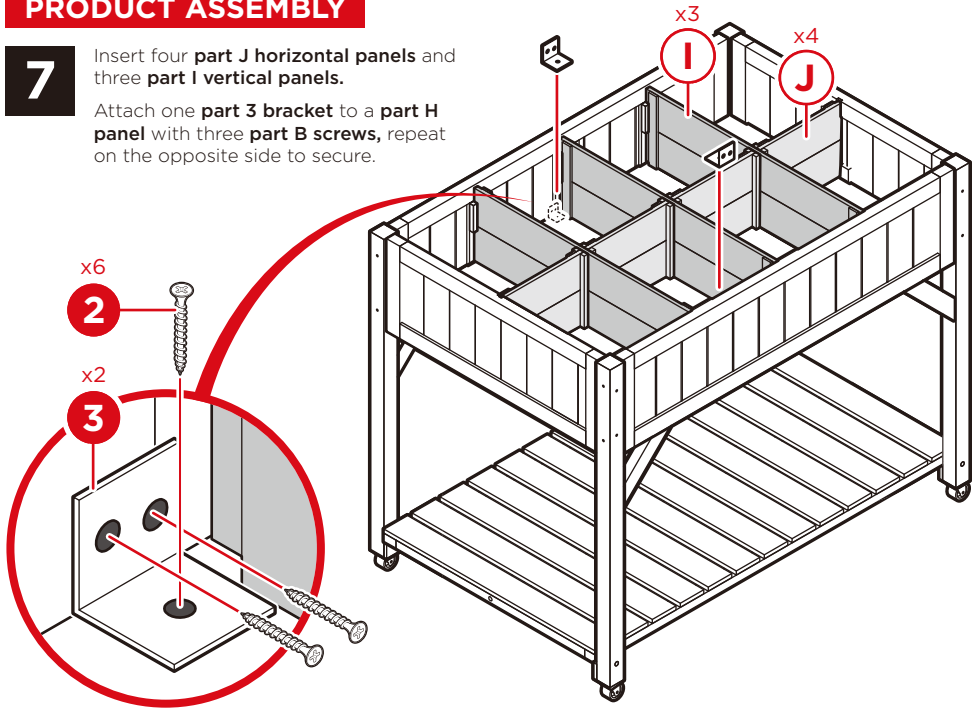


PRODUCT ASSEMBLY

7

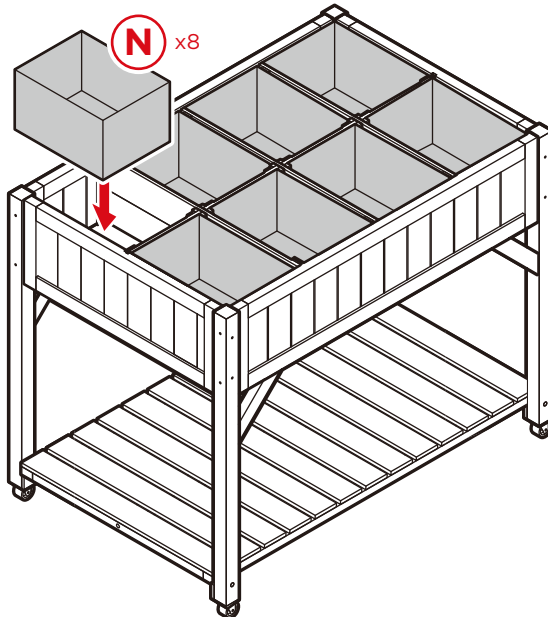
Insert four **part J** horizontal panels and three **part I** vertical panels.

Attach one **part 3** bracket to a **part H** panel with three **part B** screws, repeat on the opposite side to secure.



8

Insert the **part N** liners, one liner per pocket.





HELP CENTER



Question about your product? We're here to help. Visit us at:

help.bestchoiceproducts.com



Chat Support



Product Inquiry



Orders FAQ



Product Assembly



Returns & Refunds

PRODUCT WARRANTY INFORMATION

All items can be returned for any reason within 60 days of the receipt and will receive a full refund as long as the item is returned in its original product packaging and all accessories from its original shipment are included. All returned items will receive a full refund back to the original payment method. All returned items will not be charged a re-stocking fee.

All returned items require an RA (Return Authorization) number, which can only be provided by a Best Choice Products Customer Service Representative when the return request is submitted. Items received without an RA may not be accepted or may increase your return processing time. Once an item has been received by Best Choice Products, refunds or replacements will be processed within 5 business days.

All returns must be shipped back to the Best Choice Products Return Center at the customer's expense. If the reason for return is a result of an error by Best Choice Products then Best Choice Products will provide a pre-paid shipping label via email. Boxes for return shipping will not be provided by Best Choice Products, and is the customer's responsibility to either use the original shipping boxes or purchase new boxes.

Pictures may be required for some returns to ensure an item is not damaged prior to its return. Items returned are not considered undamaged until they are received by Best Choice Products and verified as such. All damages to items are the customer's responsibility until the item has been received by and acknowledge by Best Choice Products as undamaged.



WARNING

Manufacturer and seller expressly disclaim any and all liability for personal injury, property damage or loss, whether direct, indirect, or incidental, resulting from the incorrect attachment, improper use, inadequate maintenance, unapproved modification, or neglect of this product.