

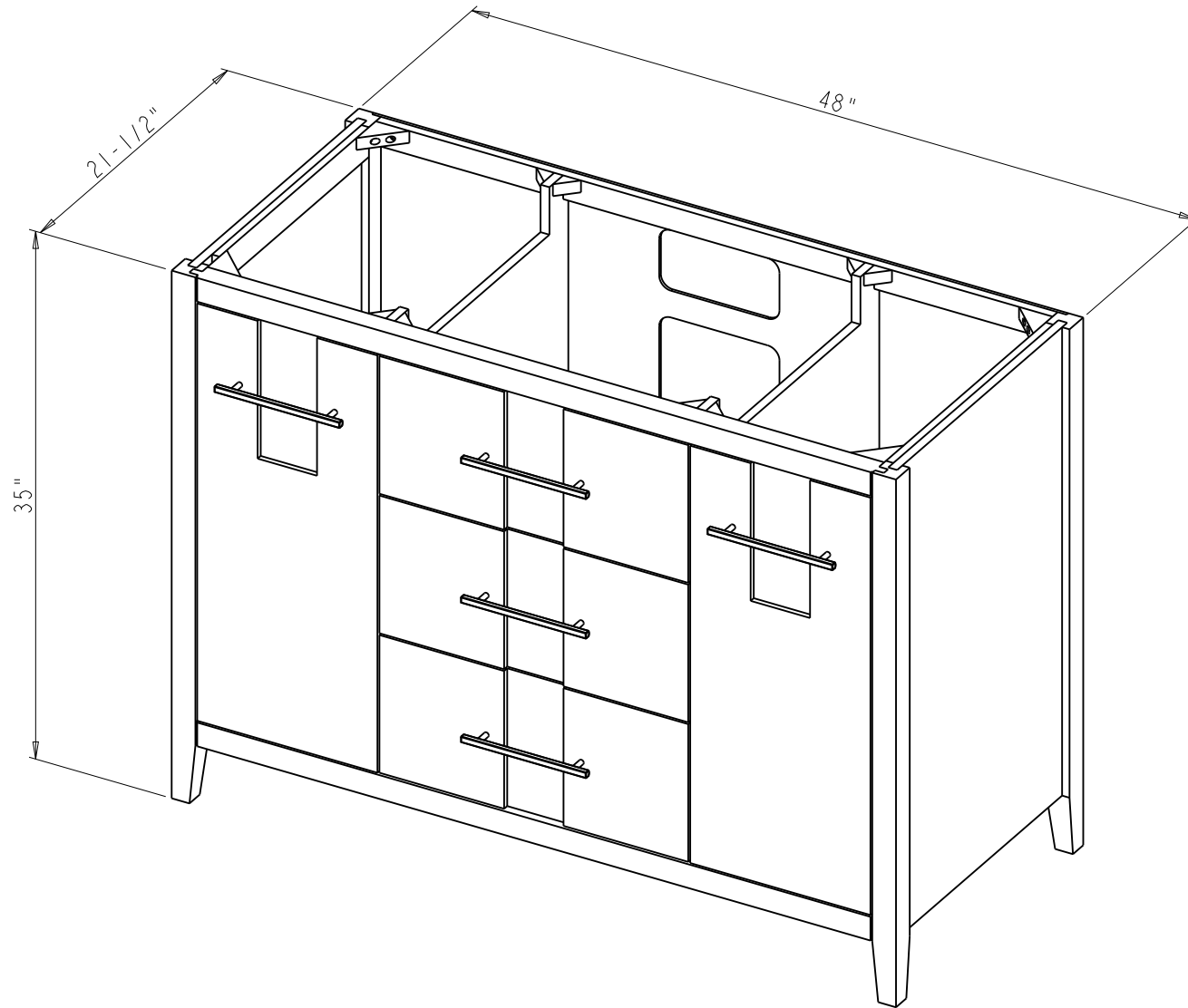
ADJUSTABLE-SHELF


Item number	Finish	Deco Hardware	
		Item number	Qty
VN2KAT-48-BK-NT	Black	845-160PC	5
VN2KAT-48-BL-NT	Blue	845-160SBZ	5
VN2KAT-48-BS-NT	Blue Steel	845-160BG	5
VN2KAT-48-GN-NT	Green	845-160SBZ	5
VN2KAT-48-GR-NT	Grey	845-160MB	5
VN2KAT-48-WH-NT	White	845-160MB	5

Specification:

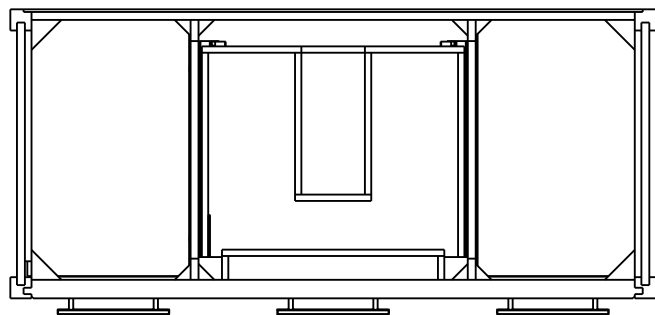
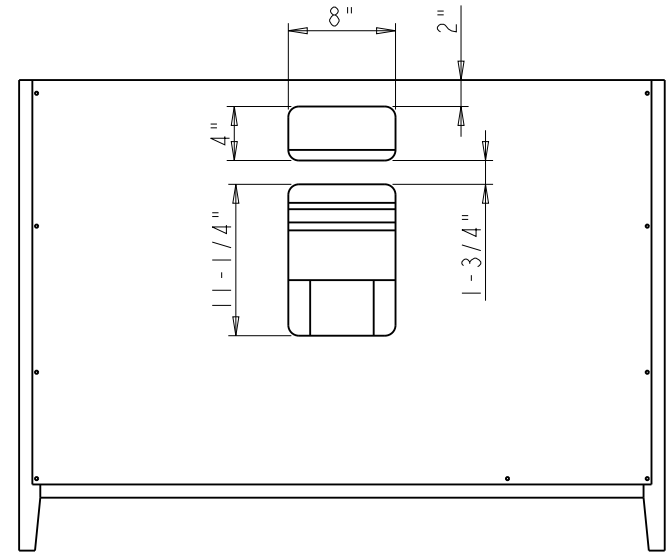
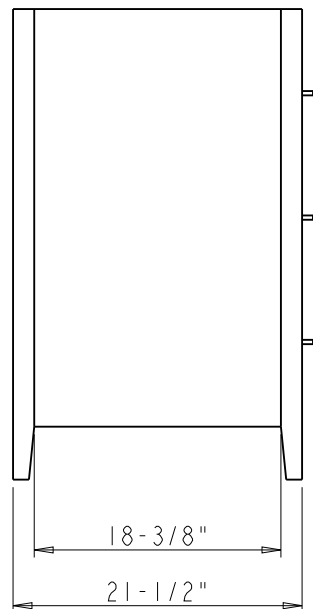
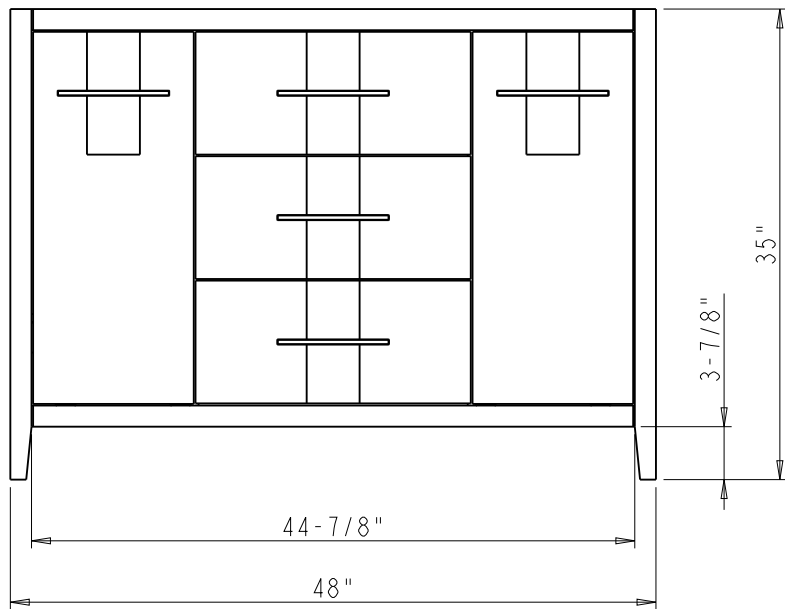
1. Material: MDF + Plywood + Birch
2. Finish: See Table
3. Hardware: See Table
4. Slides: USE58-300-18 + USCLIP2ND-4W(4 Set)
5. Hinge: 700.0536.25 + 600.1234.05 (2 Set)
700.0537.25 + 600.1234.05 (4 Set)
6. The tolerance is +/- 1/8"

	ITEM#: VN2KAT-48		MATERIAL:		
	FINISH:		WEIGHT: 9		
	PROJECTION		DATE: Nov-22-21		
<p>PROPRIETARY AND CONFIDENTIAL</p> <p>THE INFORMATION CONTAINED IN THIS DRAWING IS THE SOLE PROPERTY OF HARDWARE RESOURCES INC. ANY REPRODUCTION IN PART OR AS A WHOLE WITHOUT THE WRITTEN PERMISSION OF HARDWARE RESOURCES INC. IS PROHIBITED.</p> <p>DO NOT SCALE DRAWING</p>	TOLERANCE UNLESS OTHERWISE SPECIFIED: X ±0.20 X.X ±0.10 X.XX ±0.05 ANGULAR: ±0.5°	UNITS:	DRAWN BY: Tony.Huang	DATE: Nov-22-21	
	SIZE:	APPROVED BY:	DATE:		
	SHEET:	RELEASE LEVEL:	REVISION:		



 <p>PROPRIETARY AND CONFIDENTIAL</p> <p>THE INFORMATION CONTAINED IN THIS DRAWING IS THE SOLE PROPERTY OF HARDWARE RESOURCES INC. ANY REPRODUCTION IN PART OR AS A WHOLE WITHOUT THE WRITTEN PERMISSION OF HARDWARE RESOURCES INC. IS PROHIBITED.</p>	ITEM#: VN2KAT - 48		MATERIAL:		
	FINISH:		WEIGHT: 9		
	TOLERANCE UNLESS OTHERWISE SPECIFIED: X ±0.20 X.X ±0.10 X.XX ±0.05 ANGULAR: ±0.5°		UNITS:	DRAWN BY: <i>Hugo.cai</i>	DATE: Nov-16-23
	DO NOT SCALE DRAWING		SIZE:	APPROVED BY:	DATE:
		SHEET:	RELEASE LEVEL:	REVISION:	





<p>hardware resources</p> <p>PROPRIETARY AND CONFIDENTIAL</p> <p>THE INFORMATION CONTAINED IN THIS DRAWING IS THE SOLE PROPERTY OF HARDWARE RESOURCES INC. ANY REPRODUCTION IN PART OR AS A WHOLE WITHOUT THE WRITTEN PERMISSION OF HARDWARE RESOURCES INC. IS PROHIBITED.</p> <p>DO NOT SCALE DRAWING</p>	ITEM:	VN2KAT - 48	MATERIAL:		
	FINISH:		WEIGHT:	9	
	TOLERANCE UNLESS OTHERWISE SPECIFIED:		UNITS:	DRAWN BY:	DATE:
	X ±0.20 X.X ±0.10 X.XX ±0.05 ANGULAR: ±0.5°		SIZE:	APPROVED BY:	DATE:
		SHEET:	RELEASE LEVEL:	REVISION:	



Hugo.cai Nov-16-23