



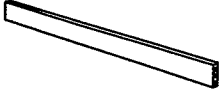


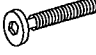



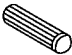


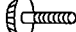
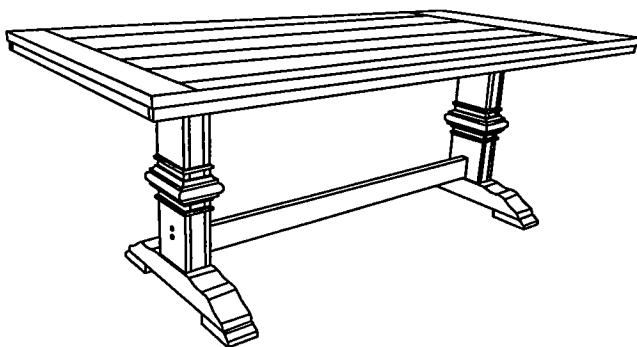


ASSEMBLY INSTRUCTION

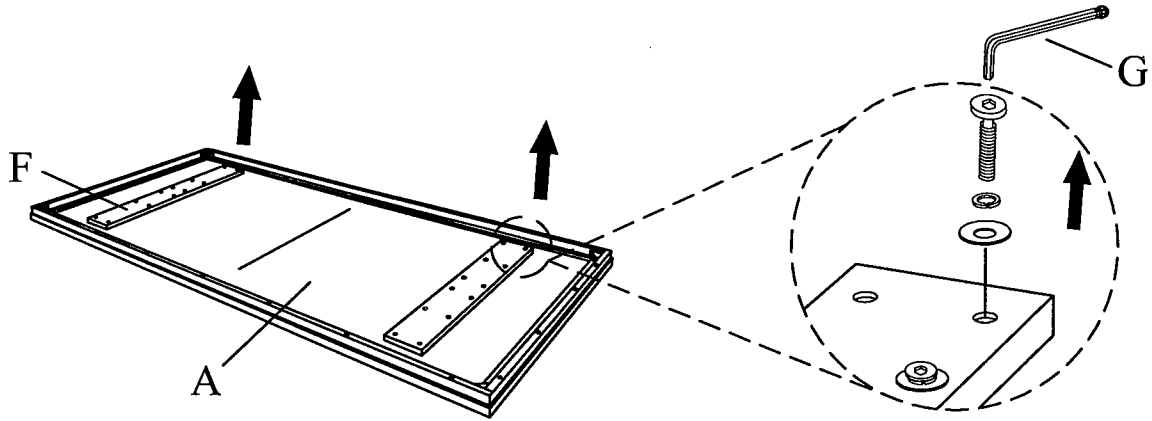
RECTANGULAR DINING TABLE

A TABLE TOP  1 PC	B TRESTLE LEG  2 PCS	C BASE  2 PCS	D UPPER TRESTLE BAR  1 PC
E LOWER TRESTLE BAR  1 PC	F SUPPORT BAR (Unloose from step 1)  2 PCS	G ALLEN WRENCH  1 PC	H JCBC M6 x 40MM (Included 8 pcs from step 1)  24 PCS
I JCBC M6 x 80MM  14 PCS	J SPRING WASHER M6 (Included 8 pcs from step 1)  38 PCS	K FLAT WASHER M6 (Included 8 pcs from step 1)  16 PCS	L PVC DOWEL M8 x 30MM  2 PCS
M CSK SCREW M4 x 38MM  5 PCS	N WOOD BUTTON  6 PCS	O LEVELER  4 PCS	

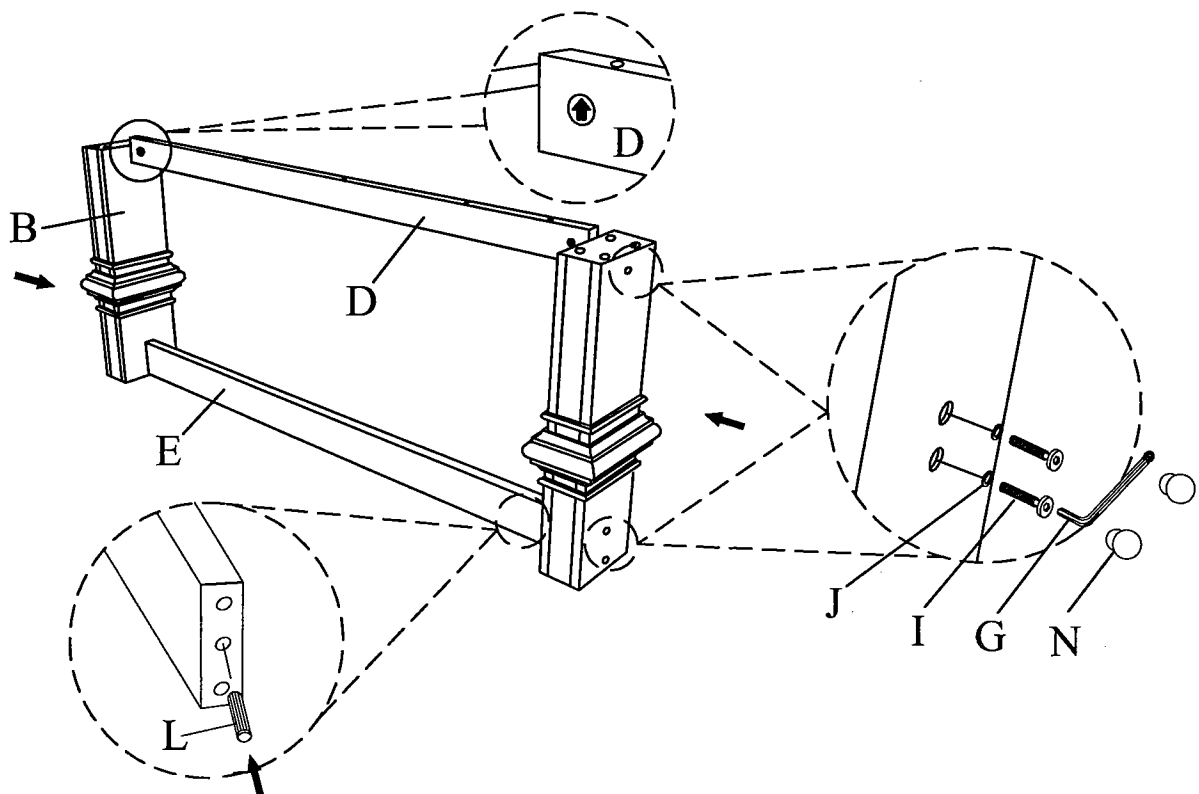


This Page lists all the contents included in the box . Please take the time to identify the hardware as well as the individual components to this product . As you unpack and prepare for assembly , place the contents on a carpeted or padded area to protect them from damage .

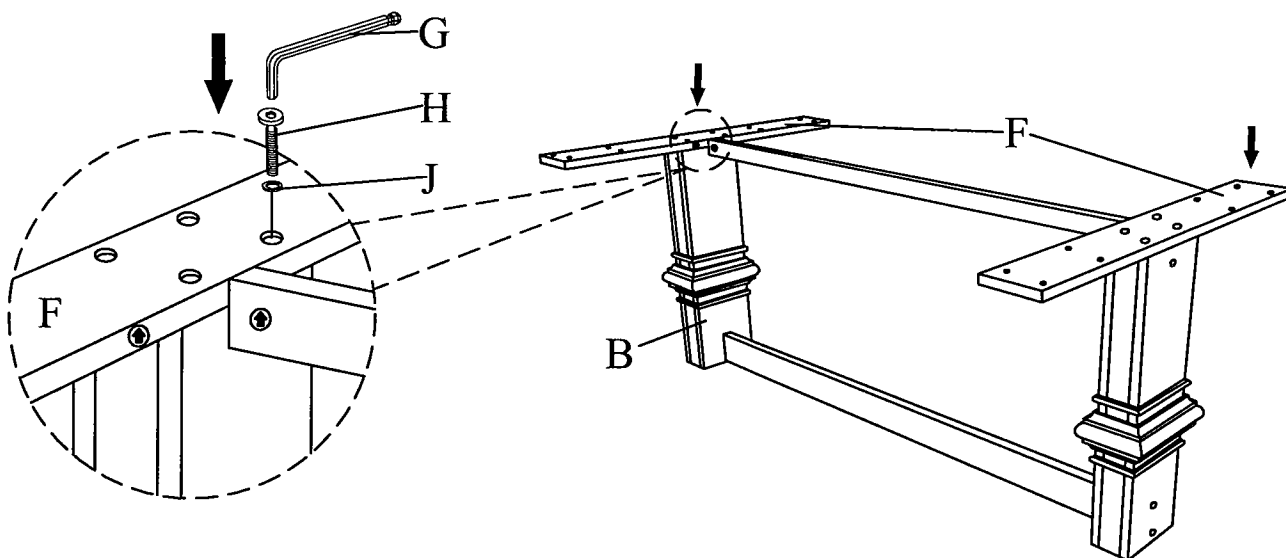
- 1** Please unloose 8 pcs bolt and spring washer and flat washer from the support bar(F) with Allen wrench(G). Keep the hardware for step 5 use and support bar for step 3 use.



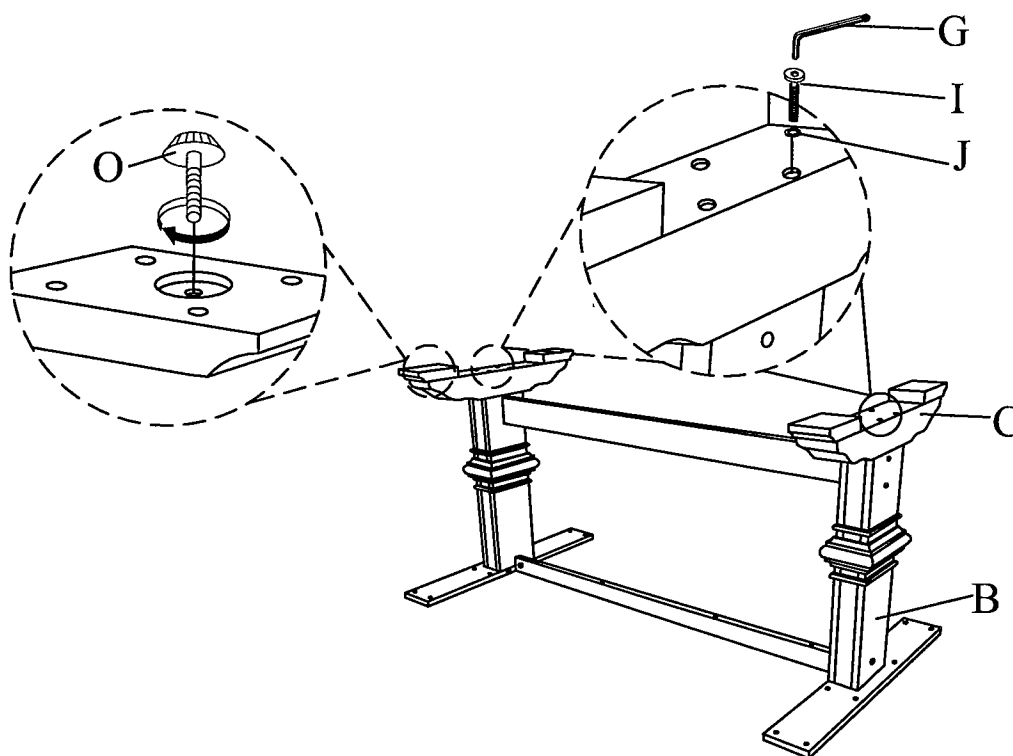
- 2** i) Insert pvc dowel(L) to both end of lower trestle bar(E).
ii) Align and fasten upper trestle bar(D) with sticker arrow as shown below and lower trestle bar(E) to trestle leg(B) using long bolt(I) and spring washer(J) and tighten with Allen wrench(G). Insert wood button(N) to cover the open hole of the leg.



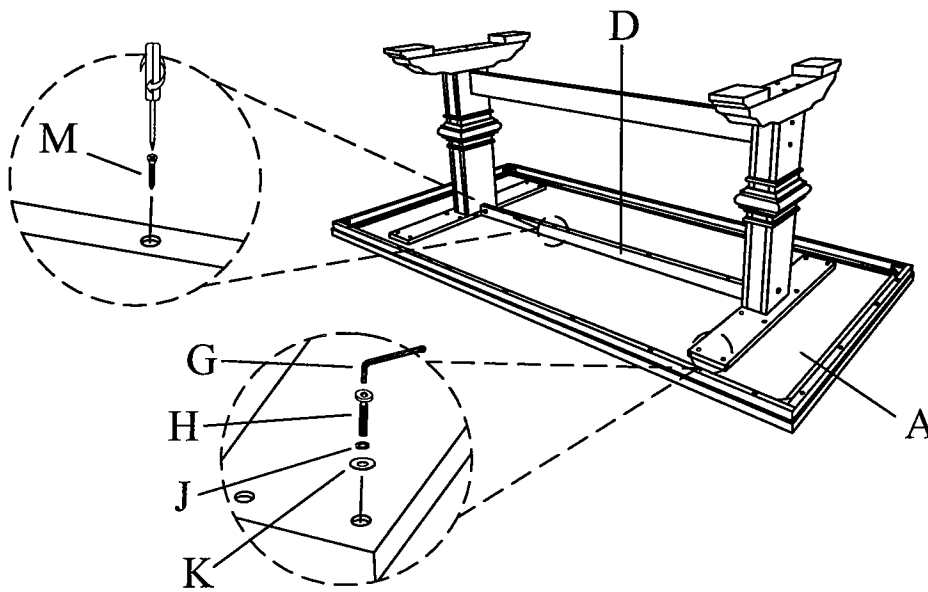
- 3** Align and fasten support bar(F) to trestle leg(B) using short bolt(H) and spring washer(J). Please follow the ARROW sticker direction as shown below.
**** Do not fully tighten the nut or bolt until all nuts and bolts are attached.**



- 4** Flip table leg over, align and fasten bottom base(C) to trestle leg(B) using long bolt(I) and spring washer(J). Tighten bolts with Allen wrench(G).
Screw in the leveler(O) to bottom base.
**** Do not fully tighten the nut or bolt until all nuts and bolts are attached.**



- 5** i) Place table top upside down on soft surface. Align and fasten support bar to table top using short bolt(H), spring washer(J) and flat washer(K) and fully tighten with Allen wrench(G). Which unloose from step 1 and tighten with Allen wrench(G).
- ii) Align and fasten upper trestle bar(D) to table top(A) using screw(M) and fully tighten with screw driver (Not Included).
- ** Do not fully tighten the nut or bolt until all nuts and bolts are attached.**



Stand table up on an even surface and check that it is balanced. If there is a slight wobble, please adjust the leveler.

Cleaning & Care

Treat Surface with care. Surface is resistant to scratches but is not scratch resistant. Clean surface with a dry or damp soft cloth. Do not use abrasive cleaners. Hardware may loosen over time. Periodically check that all connections are tight.