

7.0 Gallon 100mil LBR Pail with Tear Skirt Cover

**Note: Available with UN-Solids Y27/S rating*

Multiple Uses

Dry Products
Liquid Products

Product Codes

Container: **5700 Series**
Description: 7 gallon LBR Standard Pail

Cover: 6500 Series

Description: Standard Tear Skirt Cover

*Note: *Multiple fitting and venting options available*

Features

Gauge: 100 mil.
Nominal capacity: 7.0 USG / 26.5 L
Stack performance: 350 lbs.*
Tare weights: Body: 2.97 lbs. / 1.350 kgs
Cover: .66 lbs. / .300 kgs.

*Note: *Ratings will be reduced with uneven load distribution.*

Specifications with Cover

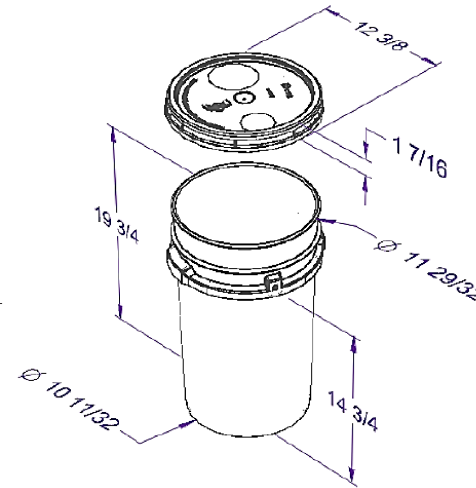
Dimensions: 12-3/8" D X 20"H
Maximum capacity: 7.4 USG / 28 L
Tare weight: 3.63 lbs. / 1.65 kgs.

Colors

Standard: White, Black and Natural
Custom: Available at manufacturer's discretion

Decorating Options

Four color offset printing
Print area: 33"W x 10-1/4"H
Sleeve or pressure sensitive labeling



Shipping Data

Qty. per pallet/carton:
Gross Weight (lbs/kgs.)**:
Length (in./cm.):
Width (in./cm.):
Height (in./cm.):

Bodies

168*
499 / 226
50 / 127
38.5 / 98
99.4 / 252

Covers

1,200*
792 / 359
48 / 122
40 / 102
98 / 249

Filled Containers

36 (12 per layer / 3 layers high)
Pallet Height: 60"

Estimated truckload quantity of 3,864 bodies and covers***

*Notes: *Quantity can vary based on customer request*

***Weight does not include pallet/packaging*

****Truckload quantity based on 53' trailer*

Materials

FDA approved materials
Resin: Body: High-Density Polyethylene (HDPE)
Cover: High-Density Polyethylene (HDPE)

Optional Carrying Handle

Wire or Plastic

MSDS Sheets available upon request

DISCLAIMER

THIS INFORMATION IS PROVIDED AS A GENERAL GUIDE, INCLUDING DIMENSIONS. IT IS THE CUSTOMER'S RESPONSIBILITIES TO SELECT THE PROPER CONTAINER FOR PRODUCT AND APPLICATION COMPATIBILITY.

DISTRIBUTED BY:



REF NO.:

DWG10125

DESCRIPTION:

7 gallon HDPE Open Head Pail