





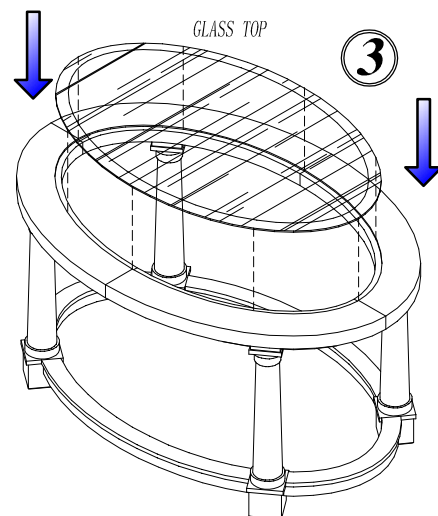
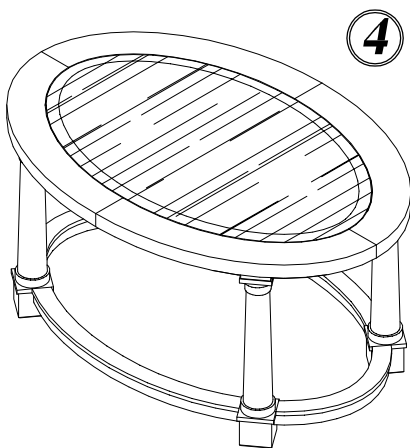
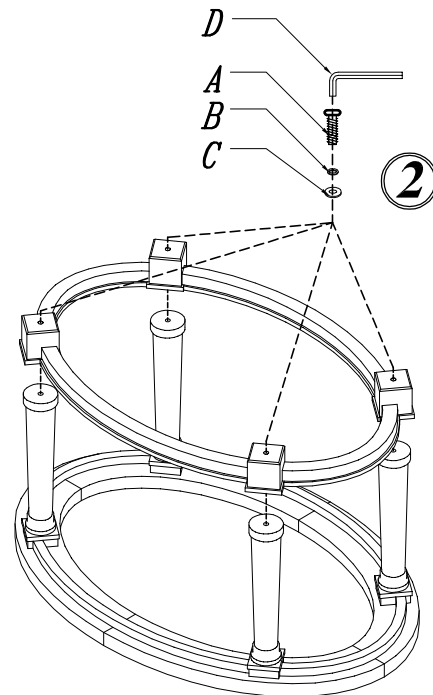
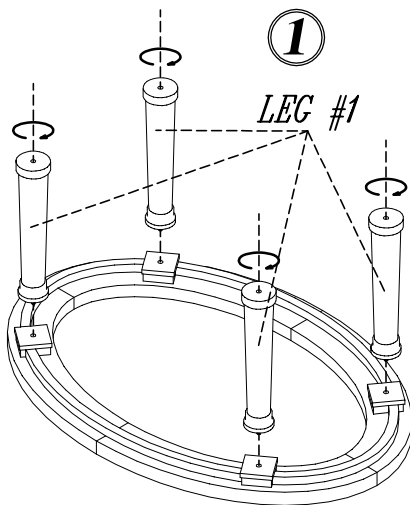
# HEKMAN

**X A HOWARD MILLER COMPANY**

## ASSEMBLY INSTRUCTIONS

### 25600 - OVAL COFFEE TABLE

| NO. | Hardware List   |                  | Q'ty |
|-----|---|------------------|------|
| A   |  | Bolt M6 * 80mm L | 4    |
| B   |  | Spring Washer M6 | 4    |
| C   |  | Flat Washer M6   | 4    |
| D   |  | Wrench L 4       | 1    |



PLACE THE TOP ASSEMBLY UPSIDE DOWN ON SOFT AND CLEAN SURFACE TO PREVENT SCRATCHING

1. ATTACH THE FOUR LEGS (#1) TO THE TABLE TOP
2. ASSEMBLE THE STRETCHER TO THE FOUR LEGS WITH BOLT (A), SPRING WASHER (B), AND FLAT WASHER (C), BY USING WRENCH (D)
3. SET THE TABLE UPRIGHT AND PUT THE TOP GLASS ON THE SURFACE FRAME
4. ASSEMBLY COMPLETE

**MADE IN INDONESIA**