

# GENERATION LIGHTING

- A. "C" Shaped Hooks
- B. Torsion Springs
- C. Trim
- D. Pressure Springs
- E. Slot Hook Springs Here
- F. Coil Spring
- G. Housing
- H. Socket Plate
- I. Socket
- J. Socket Springs
- K. Wing Nut
- L. Reflector
- M. Gasket

## Torsion Springs

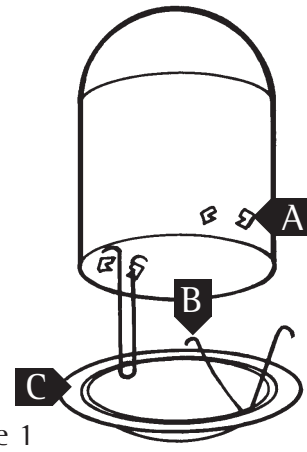


Figure 1

## Pressure Springs

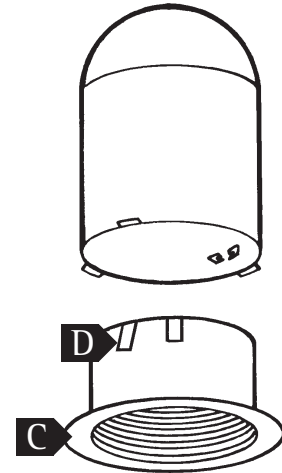


Figure 2

## Coil Springs

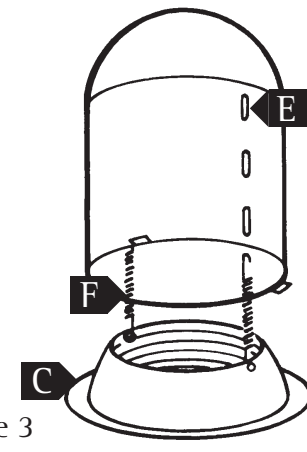


Figure 3

## Coil Springs (For IC Housing)

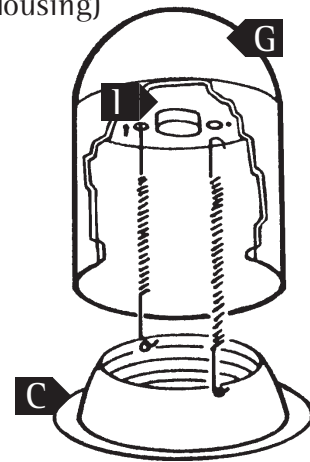


Figure 4

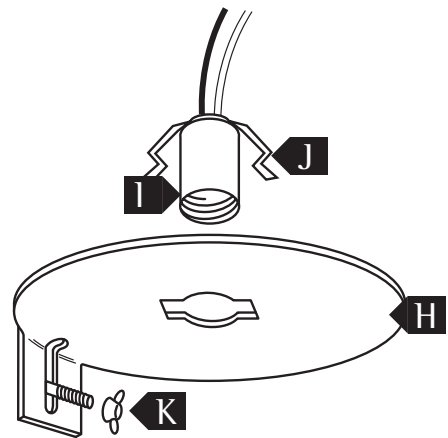


Figure 5

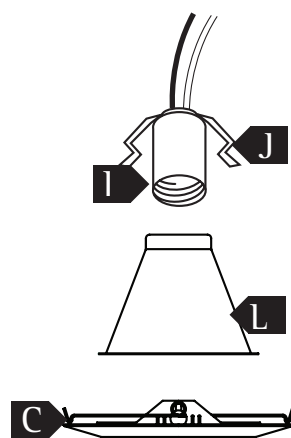


Figure 6

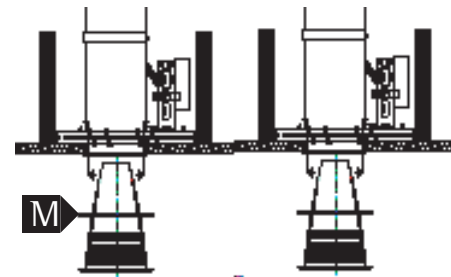


Figure 7

## Important Safety Instructions

- Be sure the electricity to the system you are working on is turned off; either the fuse removed or the circuit breaker set at off.
- Use of other manufacturers components will void warranty, listing and create a potential safety hazard.
- If you are unclear as to how to proceed, contact a qualified electrician.
- You don't need special tools to install this fixture.
- Be sure to follow the steps in the order given.
- Read instructions carefully.
- Save these instructions.

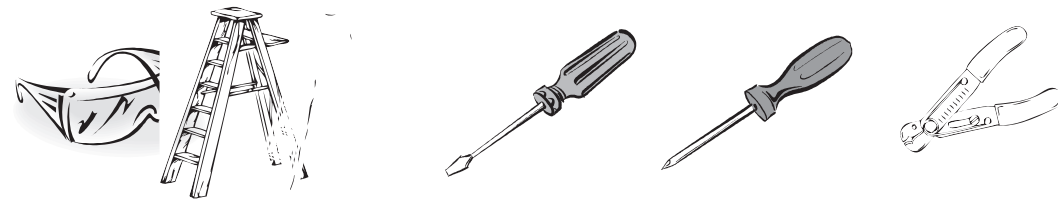
## Before You Begin

Carefully remove the fixture from the carton and check that all parts are included, as shown in figure 1. Be careful not to misplace any of the screws or parts which are needed to install this fixture.

## Installation

1. **Torsion Springs:** squeeze the arms together and insert them into the slotted tabs on the inside of the housing. Push upward fully so springs will hold trim in place (see diagram 1).
2. **Pressure Springs:** bend slotted tabs up and insert trim into housing. (If applicable) Insert pressure springs into trim. Push upward fully and pressure springs will hold trim in place (see diagram 2).
3. **Coil Springs:** You must bend the slotted tabs back up out of the way (just push upward with finger). Then hook the coil springs into the slots cut into the sides of the housing (see diagram 3).
4. **Coil Springs For IC Housing:** hook the coil springs into the

## Helpful Tools / Outils Utiles



## Care and Cleaning

To clean, wipe fixture with a soft cloth. Clean glass with a mild soap. Do not use abrasive materials such as scouring pads or powders, steel wool or abrasive paper.

slots cut into the slots on the socket plate (using a pencil or small object may be necessary) (see diagram 4).

5. **For 1154 Trims / Eyeball Trims:** before installing trim, remove socket plate from housing by loosening wing nut. Unfasten socket from socket plate by squeezing springs and snap into hole provided in top of trim (see diagram 5). If using 1155atr (see diagram 5). Discard socket plate / bracket.
6. **For ATR Trims:** before installing trim, remove socket plate from housing by loosening wing nut. Unfasten socket from socket plate by squeezing springs and snap into hole provided in top of the trim or reflector. Install trim by pressing reflector around lip of trim and turn clockwise to lock into position.
7. **For AT Trims:** position gasket on trim. Press gasket ground lip of trim (see figure 7). Install trim by one of the following methods.
8. **To Install Lamps:** select proper lamp (see lamp maximum wattage label in housing). Do not exceed maximum wattage lamp shown for each trim. Place rubber washer around lamp neck (flat side towards can) – shower trim only. Thread lamp into socket.