



KidKraft®

Live • Learn • Play

© 2009 KidKraft, LP

Martial Arts Belt Holder

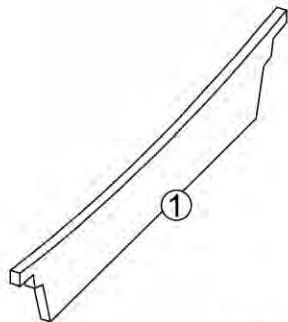
Assembly Instructions

Item #14245

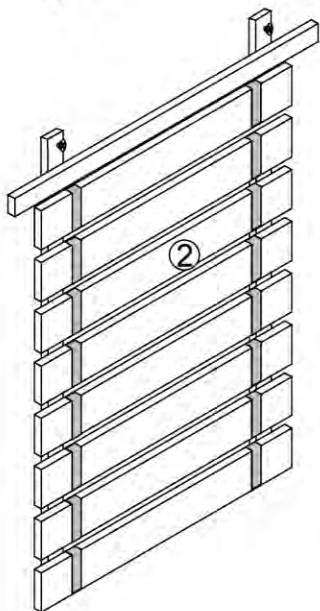
Please retain this information for future reference

To order replacement parts, please visit www.kidkraft.com

PARTS LIST:

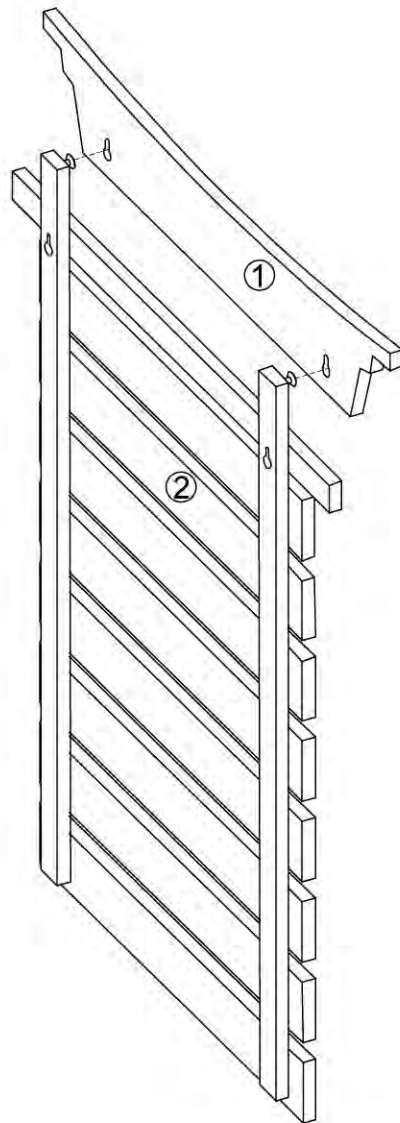


①



②

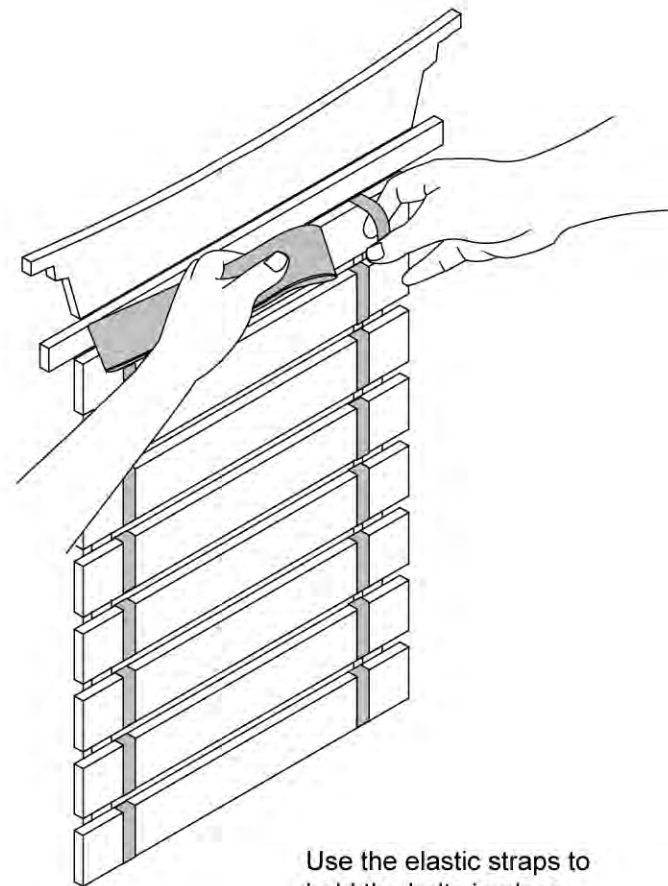
Step 1



①

②

Step 2



Use the elastic straps to hold the belts in place.

CAUTION: Adult Assembly Required. Hardware contains small screws with sharp points. Keep unassembled parts out of reach of small children.

USE AND MAINTENANCE:
-Use on level surfaces only
-Please check assembly at regular intervals, and frequently tighten hardware if necessary. If maintenance is not carried out, the product could cease to function properly

WARNING: CHOKING HAZARD
Small parts and sharp points, not suitable for children under 3 years.

Customer Service
1-800-933-0771
www.kidkraft.com

Martial Arts Belt Holder

Wall Mounting Instructions

Item #14245

To order replacement parts, please visit www.kidkraft.com

Please retain this information for future reference

HARDWARE (NOT INCLUDED):

A . Wood Screw
x 2 pieces



B . Plastic Anchor
x 2 pieces



The following tools are required for assembly:

Phillips® screwdriver



Level



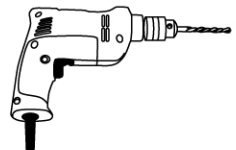
.125 inches/ 3 mm Drill Bit



Hammer



Power Drill

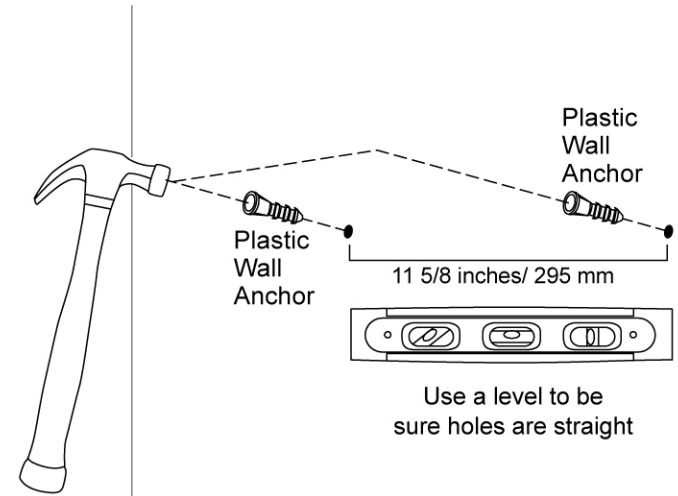


***These instructions are for drywall mounting only.**

Step 1

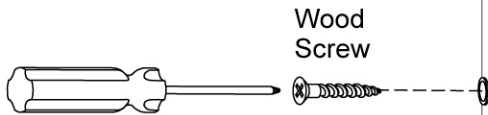
1. Locate on wall where you want to hang belt holder. Mark placement of hole with pencil, measure 11 5/8 inches/ 295 mm horizontally and mark other mounting hole.

2. Using a power drill with a .125 inches/ 3 mm drill bit, drill a hole in the wall slightly smaller than the diameter of the plastic wall anchor. With a hammer, tap wall anchor until the face is flush with the wall.



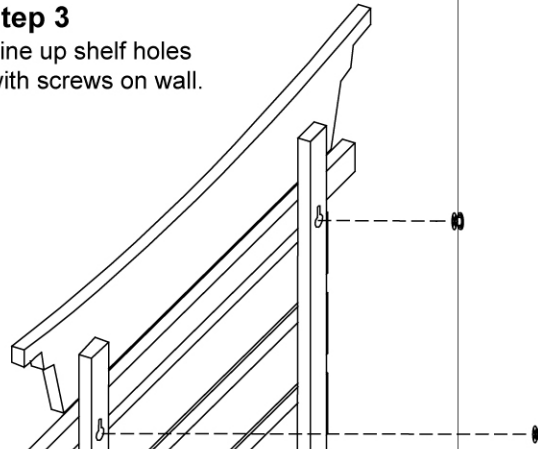
Step 2

Insert 1 wood screw into the wall anchor.
Repeat for second screw and anchor.



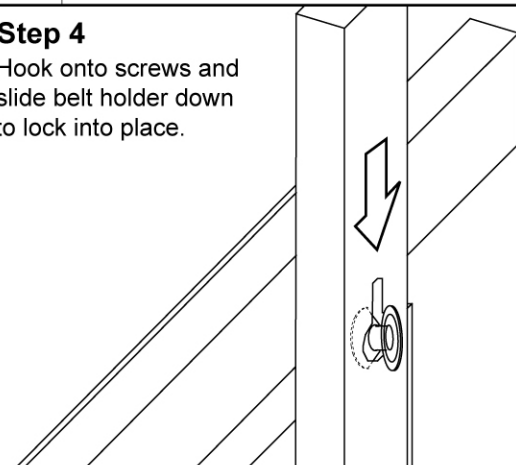
Step 3

Line up shelf holes
with screws on wall.



Step 4

Hook onto screws and
slide belt holder down
to lock into place.



***For safe installation, it is essential to use hardware appropriate for your wall type. Mount to wood wall studs whenever possible. Use a 3/32" drill bit for the pilot hole. If mounting to plaster, wood panels, brick or other surfaces than drywall, consult your local hardware store or a qualified professional.**