

**CODE NUMBER**

2172469

**DESCRIPTION**

Vitreous China Wall-Mounted Water Closet with SloanTec® Glaze.

**DETAILS**

- Flush Volume: 1.1-1.6 gpf (4.2-6.0 Lpf)
- Flush volume determined by the flushometer used with the fixture
- Rim Height: 13 ¼"-17" (337-432mm)
- Nominal Dimensions: 26 ¾" x 15" x 16 ¾" (679 x 381 x 425mm)

**FEATURES**

- White Vitreous China
- Permanent SloanTec® hydrophobic antimicrobial glaze inhibits the growth and buildup of germs, bacteria, mold, mildew and mineral scale on the surfaces
- Elongated bowl
- Wall mounted, wall outlet
- Siphon jet flushing action achieves 1000g Map score when used with any Sloan flushometer
- Static load rating of 750 lbs (see Notes)
- Water spot area: 10½" x 9¾" (26 cm x 24 cm)
- 1½ I.P.S. rear spud inlet
- 2½" fully glazed trapway
- Toilet seat not included
- Static load rating of 750 lbs. (See Notes)

**RECOMMENDED SEATS**

- Bemis - 1955CT/1955SSCT & 2155CT/2155SSCT
- Church - 295CT/295SSCT & 2155CT/2155SSCT

**PLUMBING SYSTEM REQUIREMENTS**

- Minimum Flowing Pressure: 25 PSI (172 kPa)
- Maximum Static Pressure: 80 PSI (552 kPa)

**DOWNLOADS**

- [ST-2469 Installation Instructions](#)
- [SS/ST/SU/WETS/WEUS Fixtures Repair and Maintenance Guide](#)
- [Additional Downloads](#)



**COMPLIANCES & CERTIFICATIONS**



(ADA Compliant, BAA Compliant, BREEAM Materials Credit, CalGreen Compliant, Carbon Neutral, Carbon Offset, CEC Compliant, cUPC Green Certified, cUPC Certified, EPD, Green Globes Materials & Resources Credit, HPD, LEED Materials & Resources EPD Credit, LEED Materials & Resources HPD Credit, WaterSense Listed, Satisfies LEED Credits, WELL Building Standard)

**NOTES**

All information contained within this document subject to change without notice.

All vitreous china dimensions shown in these drawings are nominal and not to scale. Dimensions can vary within the tolerances established in the governing ASME A112.19.2/CSA B45.1 standard. It is important to consider this when planning rough-in and plumbing layouts.

Static load tested according to the procedure outlined in Section 6.7 of ASME A112.19.2. Not recommended for bariatric use.

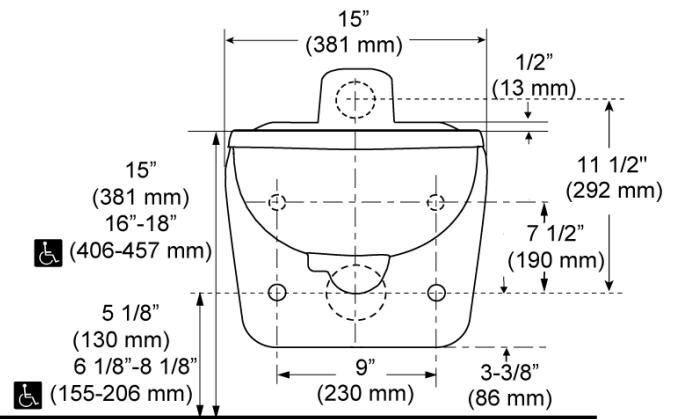
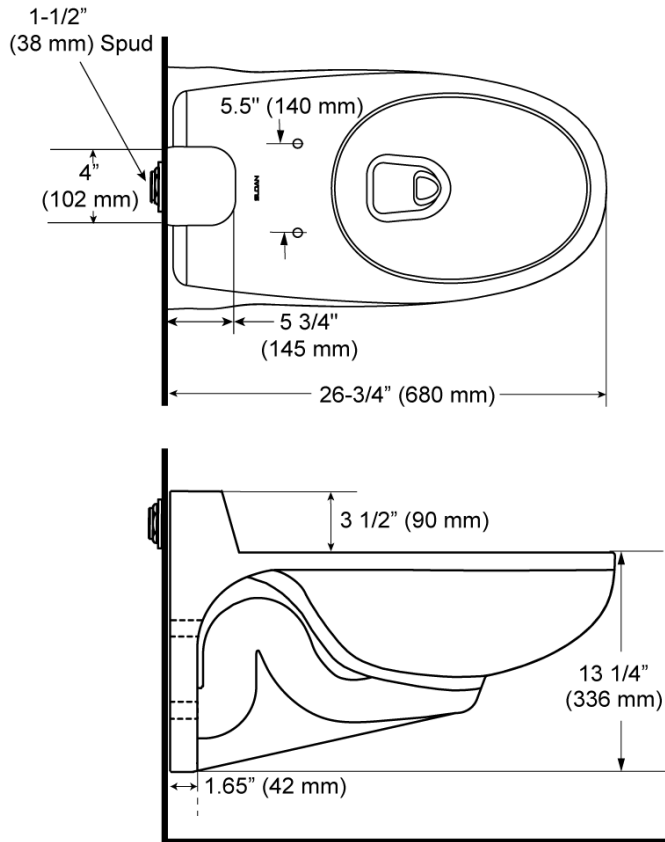
[Find a compatible flushometer](#) for this water closet.

WaterSense compliant when used with a WaterSense compliant flushometer

**WARRANTY**

[View Warranty Information](#)

**ROUGH-IN**



Sloan 10500 Seymour Ave, Franklin Park, IL 60131  
Phone: 800.982.5839 • Fax: 800.447.8329 • [sloan.com](http://sloan.com)