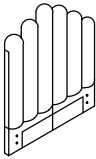


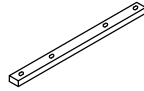






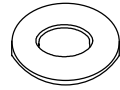

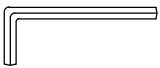

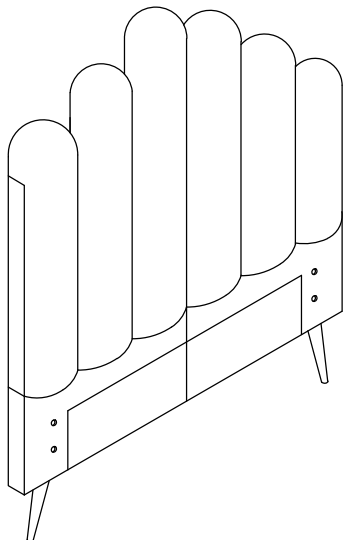


# ASSEMBLY INSTRUCTION

## CHANNEL TWIN HEADBOARD

<b>A</b> Headboard  1 pc	<b>B</b> Left Leg  1 pc	<b>C</b> Right Leg  1 pc	<b>D</b> Support Bar  2 pcs
<b>E</b> Allen Bolt $\text{Ø}5/16'' \times 25\text{mm}$  4 pcs	<b>F</b> Allen Bolt $\text{Ø}5/16'' \times 50\text{mm}$  8 pcs	<b>G</b> Allen Bolt $\text{Ø}5/16'' \times 88\text{mm}$  2 pcs	<b>H</b> Spring Washer $\text{Ø}5/16''$  14 pcs
<b>I</b> Hex Nut $\text{Ø}5/16''$  2 pcs	<b>J</b> Flat Washer $\text{Ø}5/16'' \times 19\text{mm}$  4 pcs	<b>K</b> Flat Washer $\text{Ø}5/16'' \times 22\text{mm}$  12 pcs	<b>L</b> Open Wrench $\text{Ø}5/16''$  1 pc
<b>M</b> Allen Key 4mm  1 pc	<b>N</b> Screw $\text{Ø}8 \times 30\text{mm}$  4 pcs		



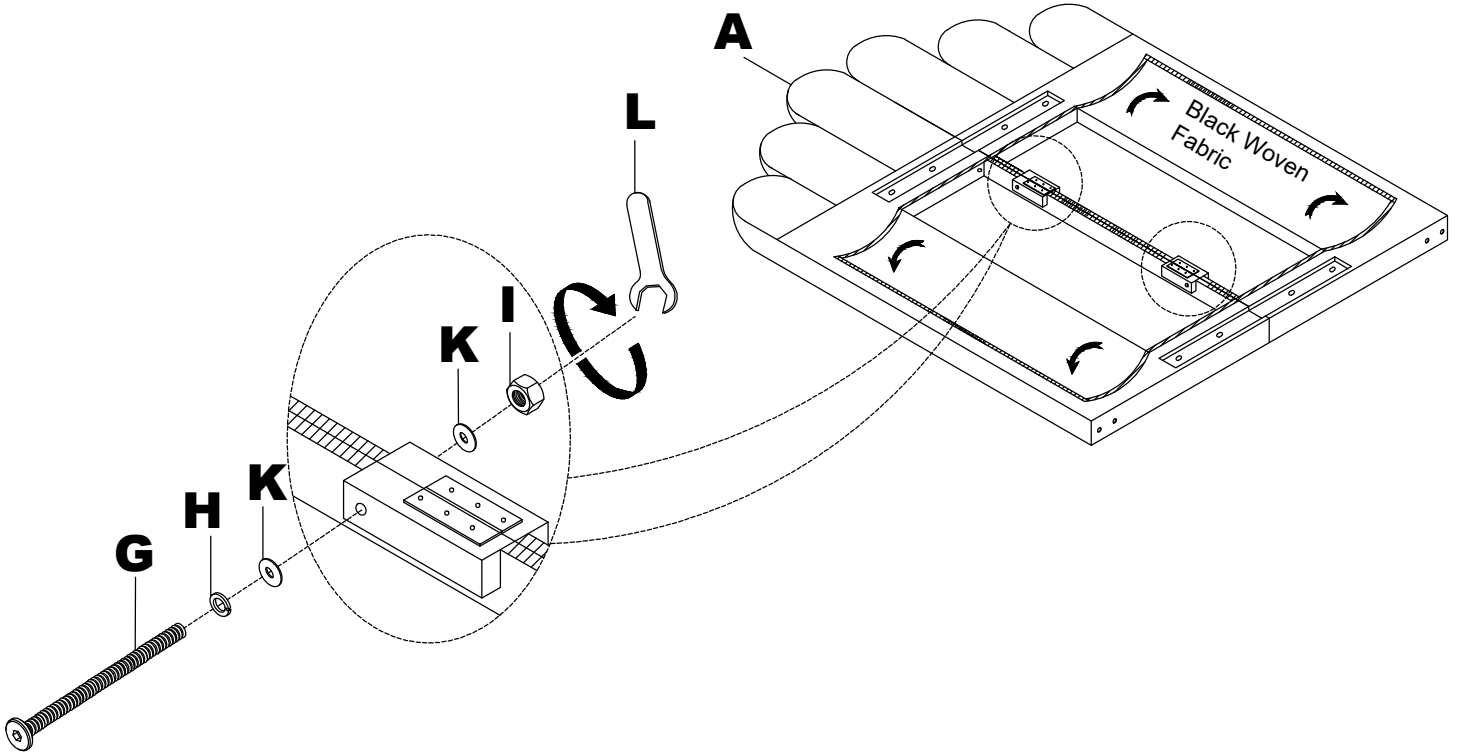
This page lists all the contents included in the box. Please take the time to identify the hardware as well as the individual components to this product. As you unpack and prepare for assembly, place the contents on a carpeted or padded area to protect them from damage.

### IMPORTANT NOTE:

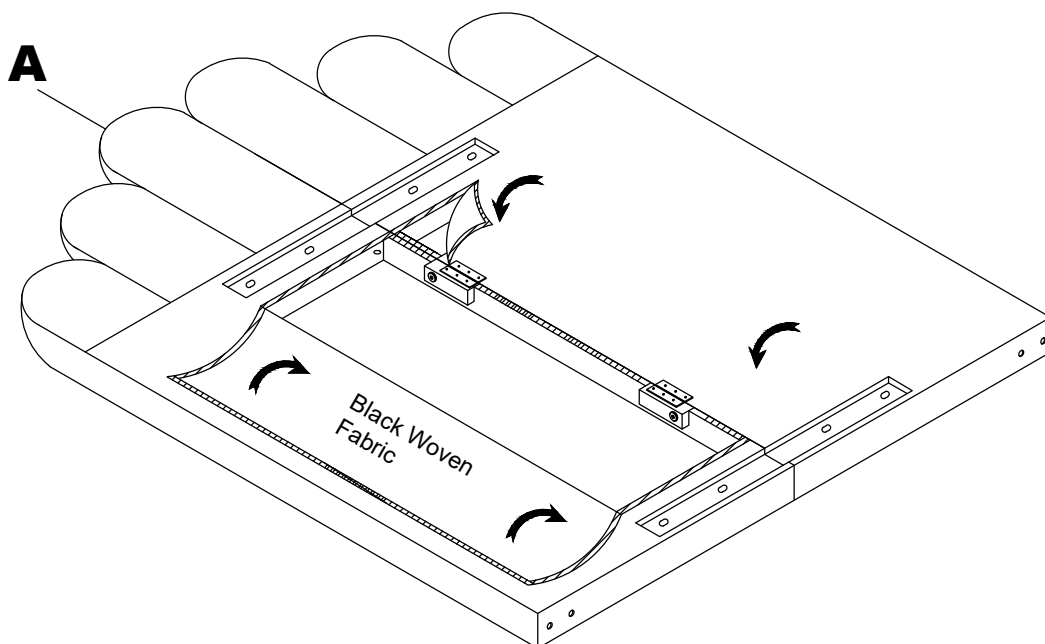
1. Do not tighten all screws / bolts until all completely assembled.
2. Keep all hardware parts out of reach of children.

**\*\*\* Do not tighten screws & bolts until the entire unit is completely assembled.**

- 1** Open the Black Woven Fabric and connect the Headboard (A) by using Allen Bolt (G), Spring Washer (H), Flat Washer (K) and Hex Nut (I) and tightening with Open Wrench (L).



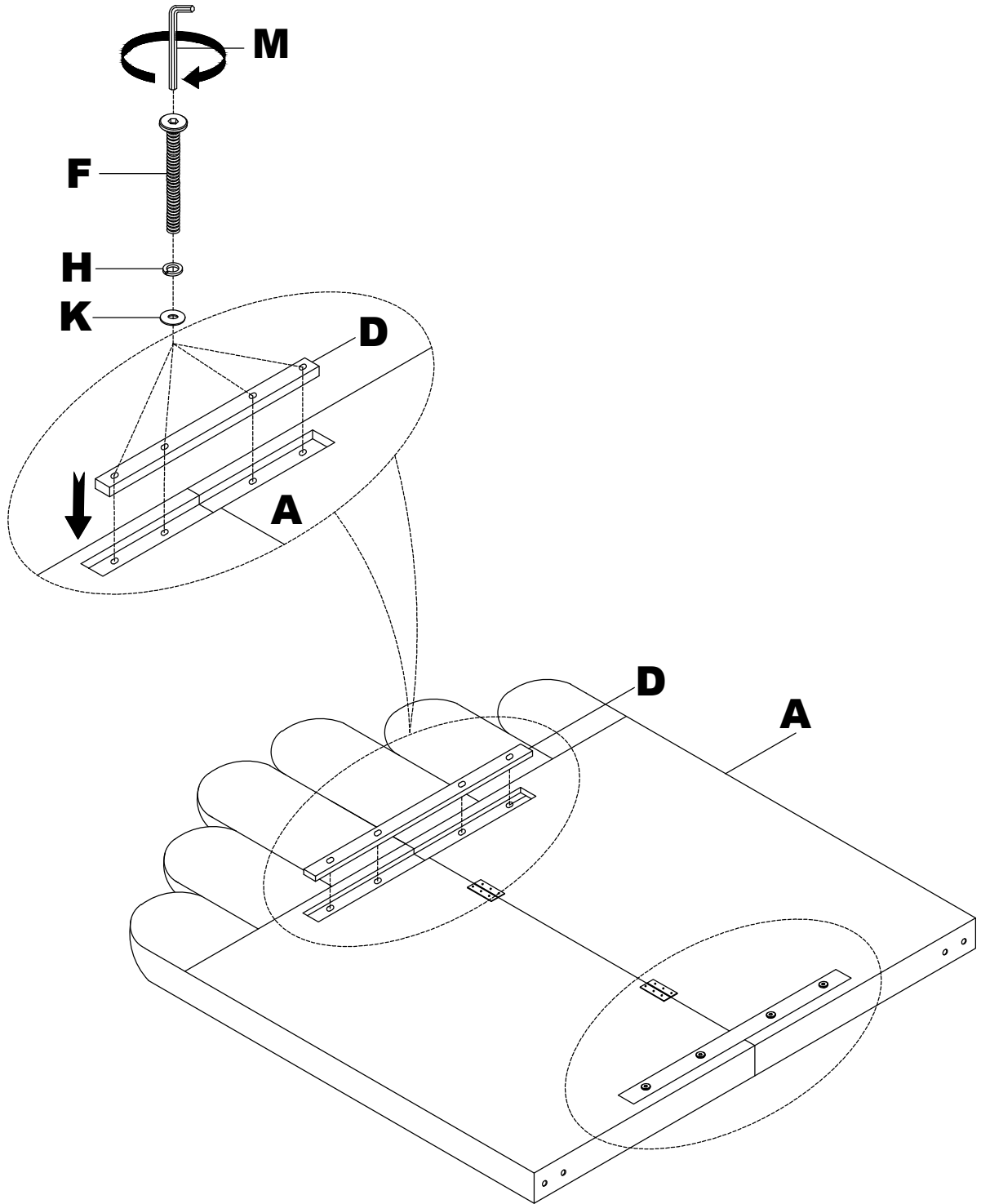
- 2** Close the Black Woven Fabric of Headboard (A) to position.



**\*\*\* Do not tighten screws & bolts until the entire unit is completely assembled.**

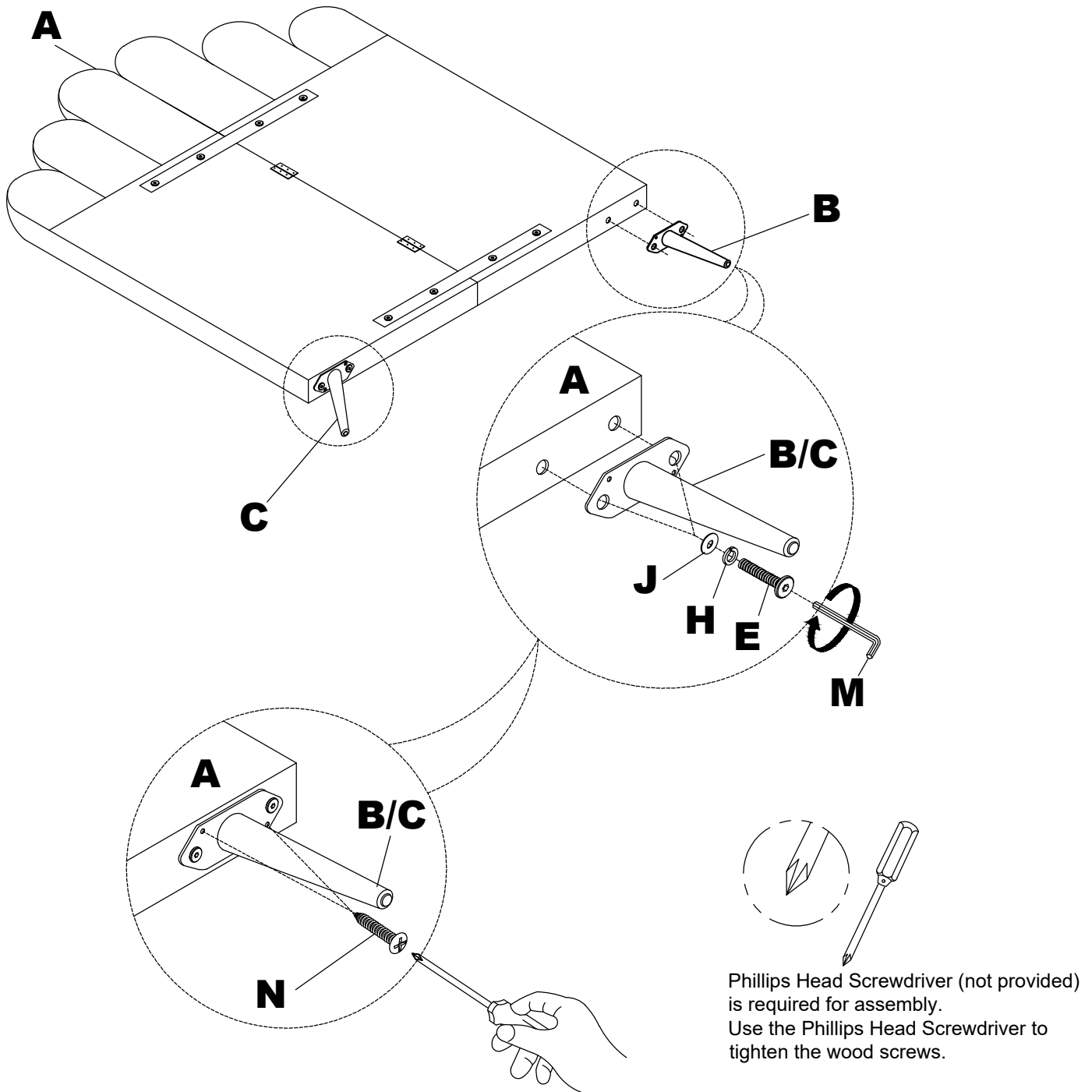
**3**

Attach Support Bar (D) to Headboard (A) by using Allen Bolt (F), Spring Washer (H) and Flat Washer (K) and tightening with Allen Key (M).



**\*\*\* Do not tighten screws & bolts until the entire unit is completely assembled.**

- 4** Attach Left & Right Leg (B&C) to Headboard (A) by using Allen Bolt (E), Spring Washer (H) and Flat Washer (J) and tightening with Allen Key (M). Then attach Left & Right (B&C) to Headboard (A) using Screw (N) with Phillips Head Screwdriver (not provided).

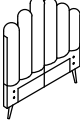
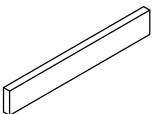
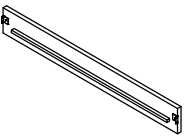


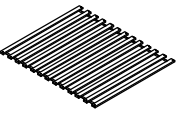




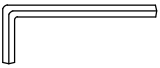



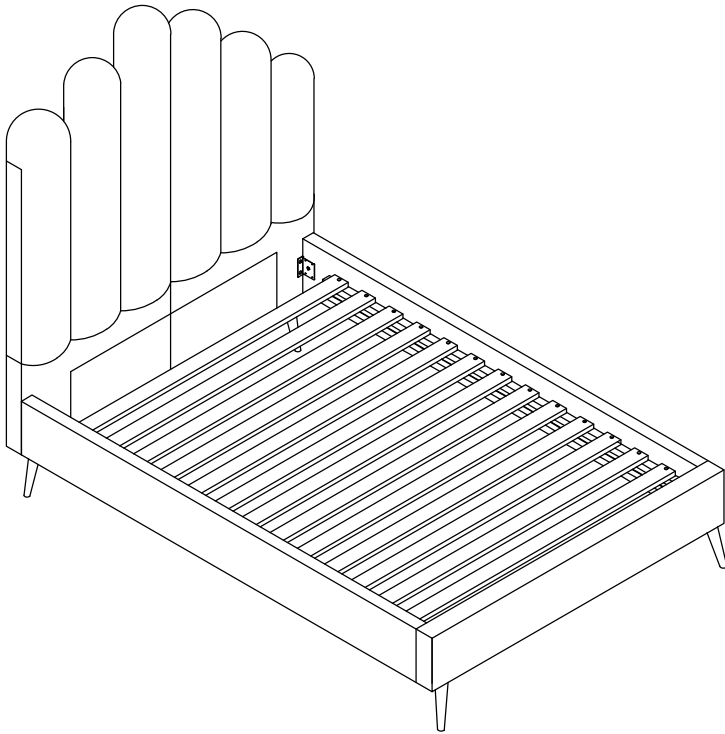
### Cleaning & Care

Treat surface with care. Surface is resistant to scratches but is not scratch resistant. Clean surfaces with a dry or damp soft cloth. Do not use abrasive cleaners. Hardware may loosen over time. Periodically check that all connections are tight.

# ASSEMBLY INSTRUCTION

## CHANNEL TWIN BED

<b>A</b> Headboard (In The Other Carton)  1 pc	<b>B</b> Footboard  1 pc	<b>C</b> Side Rail  2 pcs	<b>D</b> Left Leg  1 pc
<b>E</b> Right Leg  1 pc	<b>F</b> Slat Roll  1 set	<b>G</b> Allen Bolt Ø5/16" x 25mm  4 pcs	<b>H</b> Allen Bolt Ø5/16" x 32mm  8 pcs
<b>I</b> Spring Washer Ø5/16"  12 pcs	<b>J</b> Flat Washer Ø5/16" x 19 mm  12 pcs	<b>K</b> Allen Key 4mm  1 pc	<b>L</b> Screw Ø8 x 30mm  30 pcs



This page lists all the contents included in the box. Please take the time to identify the hardware as well as the individual components to this product. As you unpack and prepare for assembly, place the contents on a carpeted or padded area to protect them from damage.

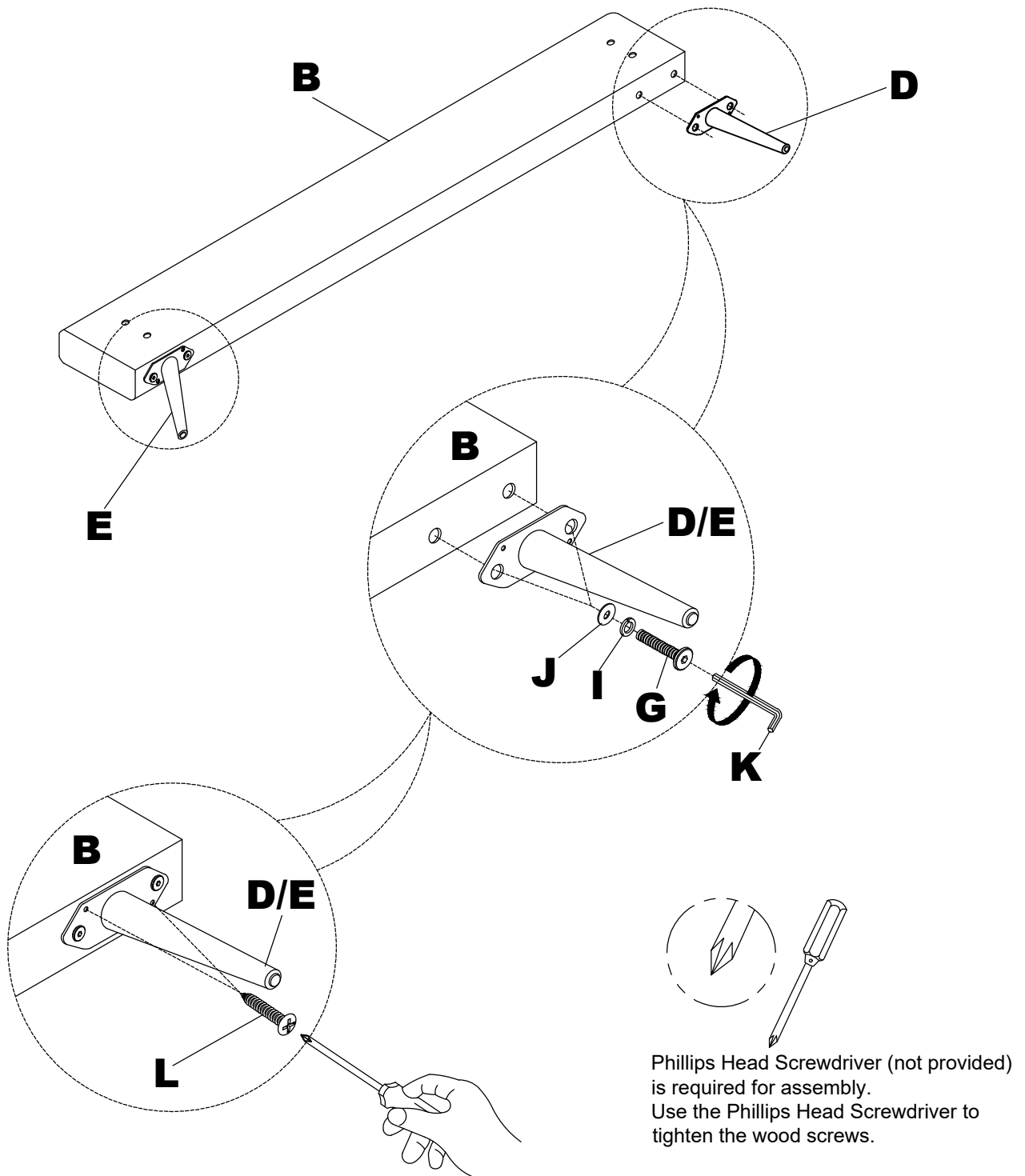
### IMPORTANT NOTE:

1. Do not tighten all screws / bolts until all completely assembled.
2. Keep all hardware parts out of reach of children.

**\*\*\* Do not tighten screws & bolts until the entire unit is completely assembled.**

**1**

Attach Left & Right Leg (D&E) to Footboard (B) by using Allen Bolt (G), Spring Washer (I) and Flat Washer (J) and tightening with Allen Key (K). Then attach Left & Right (D&E) to Footboard (B) using Screw (L) with Phillips Head Screwdriver (not provided).

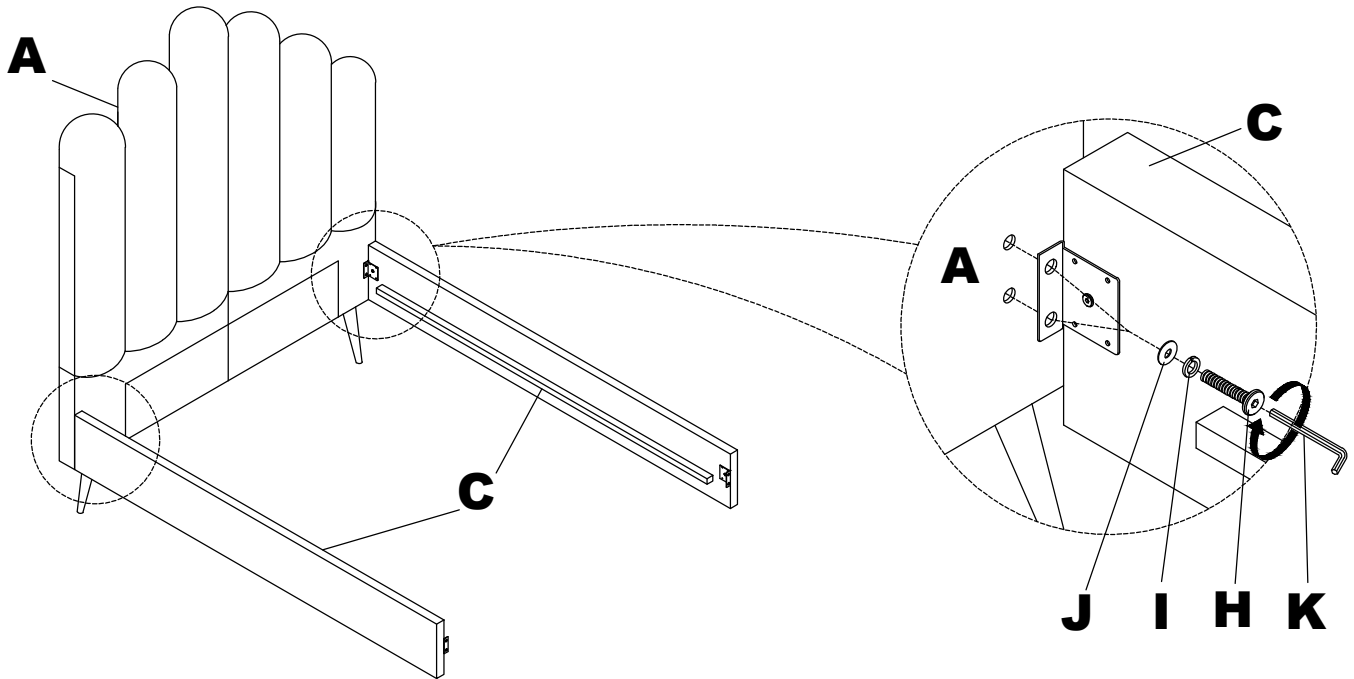


**\*\*\* Do not tighten screws & bolts until the entire unit is completely assembled.**

**2**

Attach Side Rail (C) to Headboard (A) by using Allen Bolt (H), Spring Washer (I) and Flat Washer (J) and tightening with Allen Key (K).

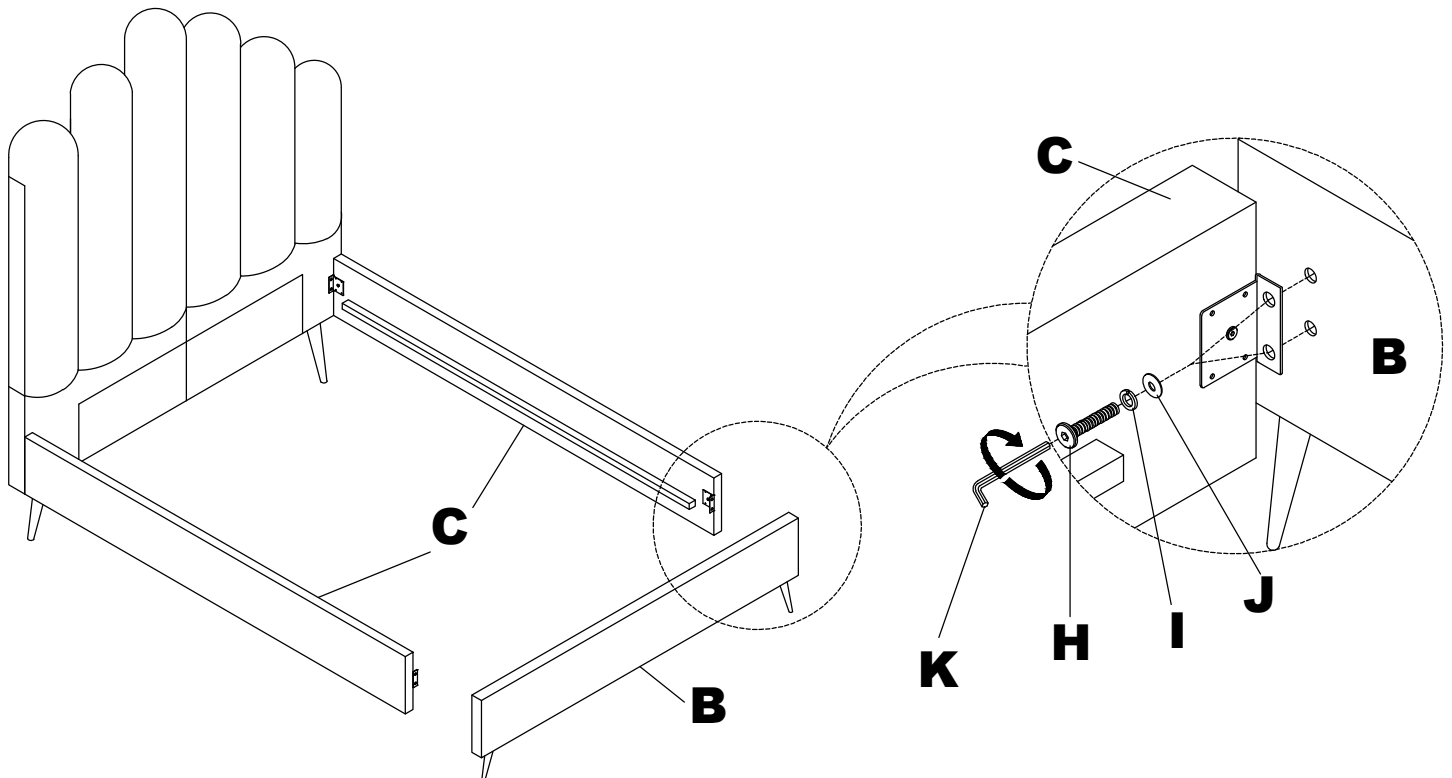
Remark: Do not tighten the bolts until screw Slat Roll (F) well on the Side Rail (C).



**3**

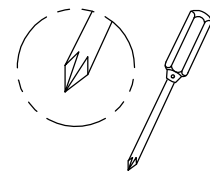
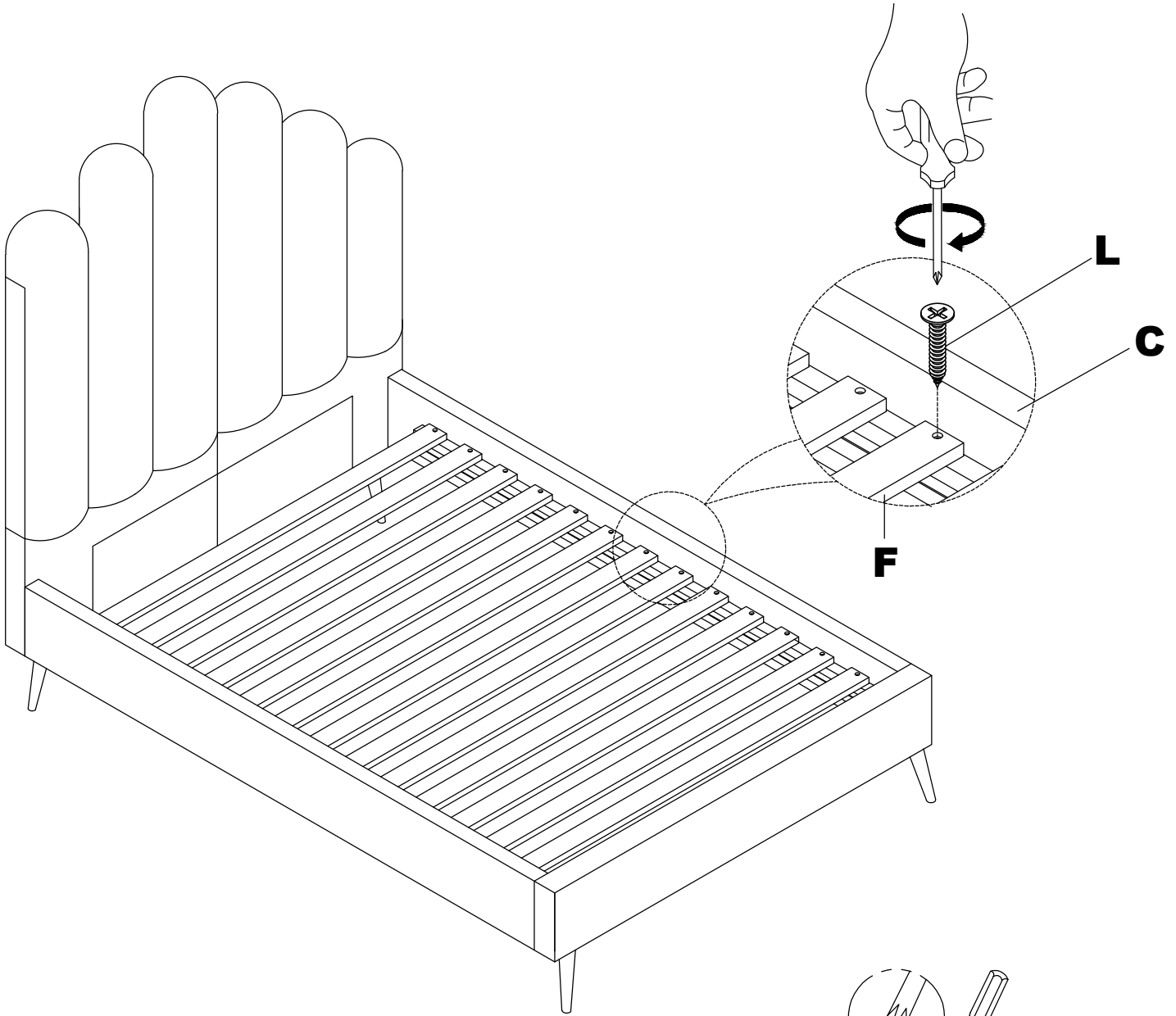
Attach Side Rail (C) to Footboard (B) by using Allen Bolt (H), Spring Washer (I) and Flat Washer (J) and tightening with Allen Key (K).

Remark: Do not tighten the bolts until screw Slat Roll (F) well on the Side Rail (C).



**\*\*\* Do not tighten screws & bolts until the entire unit is completely assembled.**

**4** Attach Slat Roll (F) on Side Rail (C) using Screw (L) with Phillips Head Screwdriver (not provided).



Phillips Head Screwdriver (not provided) is required for assembly. Use the Phillips Head Screwdriver to tighten the wood screws.

### Cleaning & Care

Treat surface with care. Surface is resistant to scratches but is not scratch resistant. Clean surfaces with a dry or damp soft cloth. Do not use abrasive cleaners. Hardware may loosen over time. Periodically check that all connections are tight.