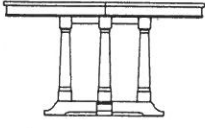










# HEKMAN®

A HOWARD MILLER COMPANY

## 23521 ROUND DINING TABLE

### Hardware List

A	B	C	E	F	G	H	I	
ALLEN BOLT M8 X 50 (14 PCS)	FLAT W. M8 14 PCS	SPRING W. M8 14 PCS	ALLEN BOLT M6 X 70 (1 PC)	FLAT W. M6 1 PC	SPRING W. M6 1 PC	ALLEN KEY M5 (FOR ALLEN BOLT) 1 PC	ALLEN KEY L4 (FOR ALLEN BOLT) 1 PC	
								

### Assembly Instruction

**STEP 1:**  
REMOVE THE TOP STRETCHER FROM ONE OF THE TWO LEG ASSEMBLIES.  
(ONLY ONE CAN BE REMOVED).

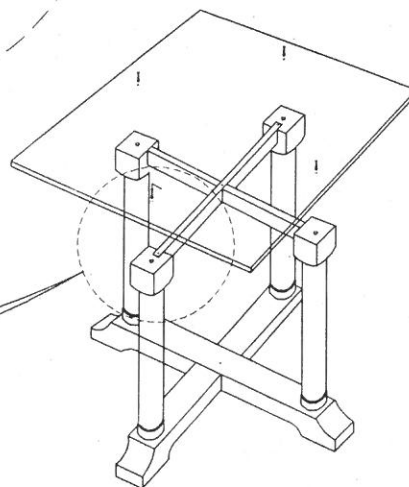
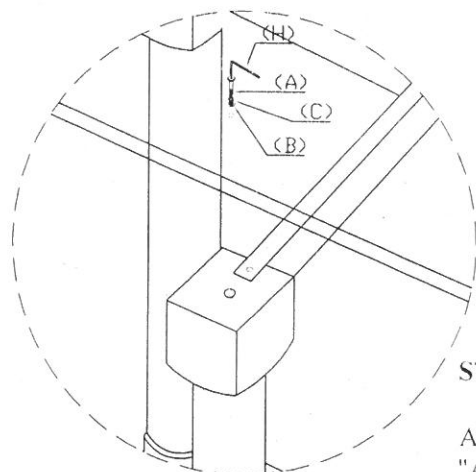
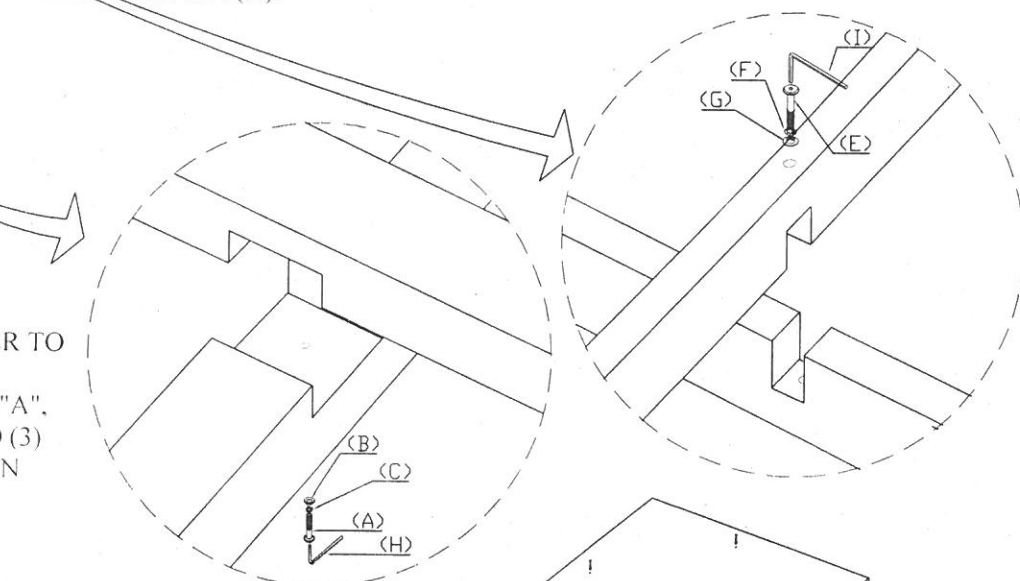
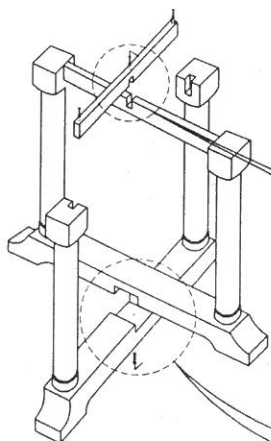
**STEP 2.**  
ASSEMBLY THE TWO LEG ASSEMBLIES TOGETHER WITH ONE BOLT "D",  
SPRING WASHER (F) AND FLAT WASHER (E). TIGHTEN ALL BOLTS WITH  
ALLEN WRENCH (G).

**STEP 3:**

ASSEMBLY THE STRETCHER TO  
THE TOP OF THE LEG  
ASSEMBLY WITH (3) BOLT "A",  
(3) SPING WASHER "C" AND (3)  
FLAT WASHER "B". TIGHTEN  
ALL BOLTS WITH ALLEN  
WRENCH (H).

**STEP 4:**

ATTACH TOP PLATE TO THE TOP OF LEG ASSEMBLY WITH (4) BOLT  
"A". (4) SPING WASHER "C" AND (4) FLAT WASHER "B". TIGHTEN ALL  
BOLTS WITH ALLEN WRENCH (H).



**STEP 5:**

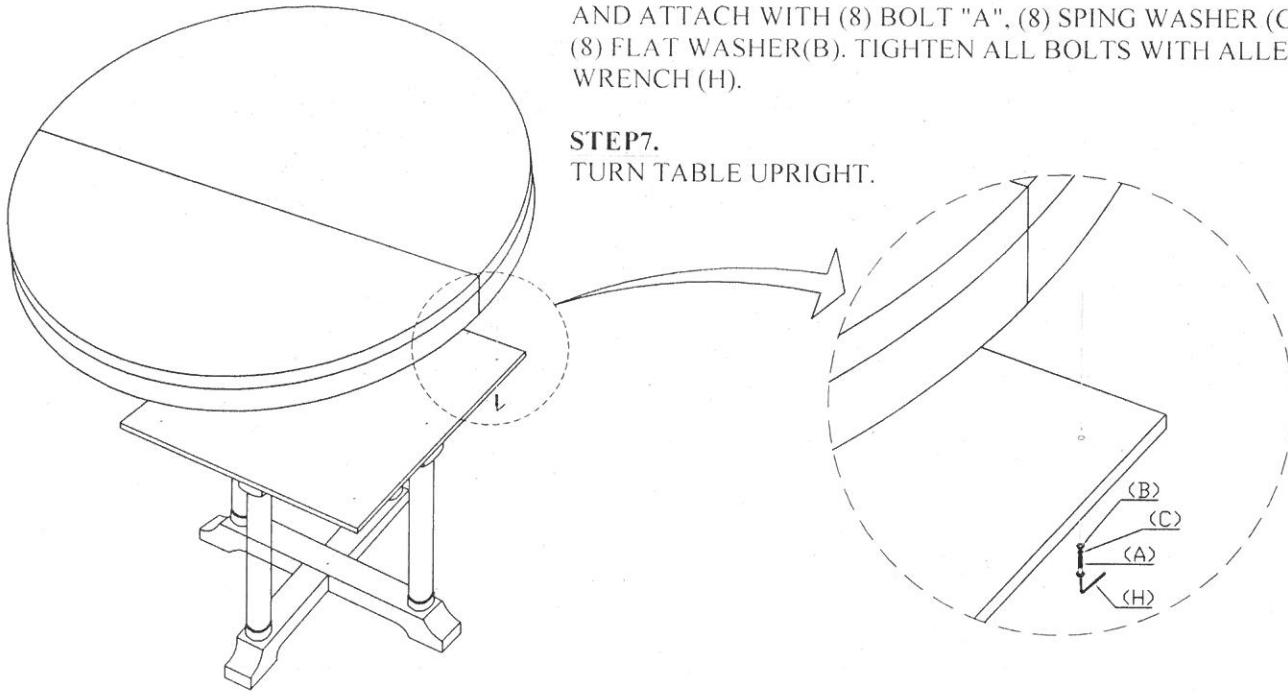
TURN TOP ASSEMBLY UPSIDE DOWN ON A SOFT, CLEAN, FLAT SURFACE.

**STEP 6.**

TURN LEG ASSEMBLY UPSIDE DOWN ON THE TOP ASSEMBLY AND ATTACH WITH (8) BOLT "A", (8) SPING WASHER (C) AND (8) FLAT WASHER(B). TIGHTEN ALL BOLTS WITH ALLEN WRENCH (H).

**STEP7.**

TURN TABLE UPRIGHT.



**STEP 8:**

TURN ASSEMBLED TABLE UPWARD.

\* TO ATTACH EXTENSION LEAF. UNLOCK TABLE LOCKS UNDER THE TOP, SLIDE TABLE TOP HALVES APART AND PLACE EXTENSION LEAF IN THE OPENING POSITION. SLIDE TOP HALVES TO HOLD EXTENSION LEAF IN PLACE AND LOCK THE TABLE LOCKS.

\* TO REMOVE EXTENSION LEAF. UNLOCK TABLE LOCK UNDER THE TOP. SLIDE TABLE TOP HALVES APART. REMOVE EXTENSION LEAF (G) AND SLIDE TOP HALVES TOGETHER. LOCK WITH TABLE LOCKS.

