



SYMMONS® Origins®

Location:

S-9600-PLR, S-9600-PLR-TRM, S9600PLRTRMTC

Shower Valve System or Trim

Specification Submittal



Model Numbers

- S-9600-PLR** Shower Valve System with integral volume control & Temptrol Pressure Balancing Shower Valve
- S-9600-PLR-TRM** Shower Valve Trim with integral volume control, Temptrol Pressure Balancing Shower Valve ordered separately
- S9600PLRTRMTC** Shower Valve Trim with integral volume control, TA-10 flow control spindle and T-12A cap assembly, must order Temptrol valve with Test Cap

Feature Highlights

- Origins Shower Valve System or Trim
- Requires Temptrol® Pressure Balancing Shower Valve (included with S-9600-PLR)
- Adjustable stop screw to limit handle turn (included with S-9600-PLR)
- Integral volume control
- Metal lever handle
- Diverter tub spout not included
- Showerhead not included
- Components shall be metal and nonmetallic construction, plated in standard Polished Chrome finish
- Available with TA-10 flow control spindle and T-12A cap assembly for Temptrol valve bodies installed with Test Cap (order p/n S9600PLRTRMTC)

Options/ Modifications

- B** Brass escutcheon (chrome only)
- CHKS** Integral check stops - for use in installations where a positive shut-off device is used downstream of mixing valve
- D** Brass dome cover (chrome only)
- OP** 13" oval plate
- REB** Rebuild trim kit, includes TA-10 and TA-4
- X** Integral service stops - allows water shut-off at valve for service
- STN** Satin Nickel finish
- L7** Less handle

Note: Append appropriate -suffix to model number.

Compliance

- ASME A112.18.1/CSA B125.1
- Buy American Act (S-9600-PLR only)



Warranty

Limited Lifetime - to the original end purchaser in consumer/residential installations.
10 Years - for commercial/industrial installations. Refer to www.symmons.com/warranty for complete warranty information.

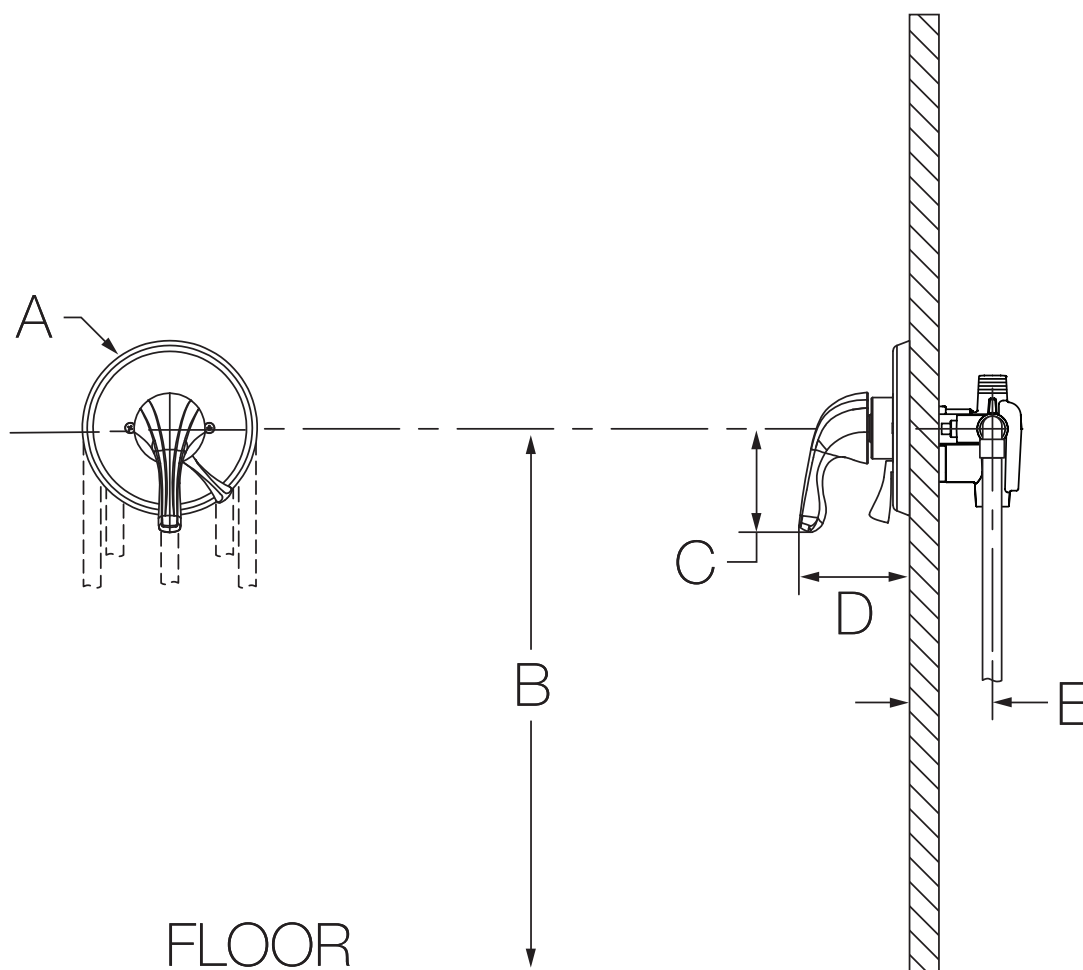


Architectural/ Engineering Specification

Symmons Origins shower _____ Includes With adjustable stop screw to limit handle turn, metal lever handle, components shall be metal and nonmetallic construction plated in chrome. Available options: "B - Brass escutcheon (chrome only)", "CHKS - Integral check stops - for use in installations where a positive shut-off device is used downstream of mixing valve", "D - Brass dome cover (chrome only)", "OP - 13" oval plate", "REB - Rebuild trim kit, includes TA-10 and TA-4", "X - Integral service stops - allows water shut-off at valve for service", "STN - Satin Nickel finish", "L7 - Less handle". 10 Year Commercial Warranty. ASME A112.18.1/CSA B125.1, Buy American Act (S-9600-PLR only) compliant.

Dimensions

Measurements	
A	Ø 5-3/4", 146 mm
B	Ref. 42", 1067 mm
C	3-3/8", 86 mm
D	3-5/8", 92 mm
E	Rough-in 2-3/8" ± 1/2", 60 mm ± 13 mm


Notes:

- 1) Valve body and piping not included and shown as reference only.
- 2) Plaster shield (p/n T-176) for dry wall, plaster or other type walls 1/2" or greater.
- 3) All dimensions measured from nominal rough-in (see E as reference).
- 4) Dimensions subject to change without notice.