

F1807 Tankless Water Heater Valve Service Kit with Pressure Relief Valve

Job Name	_____
Location	_____
Engineer	_____
Contractor	_____
Tag	_____ PO# _____

Specifications

- Constructed of forged brass
- Color-coded hot and cold valves
- 1 year limited warranty
- Can handle up to 400 psi of water pressure
- 32°F - 180°F temperature range
- Includes Lead Free pressure relief valve

Applications

- Potable water

Materials

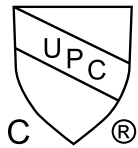
- Brass

Dimensions and Product Offering

-see following page

Certifications/Listings/Approvals

- NSF/ANSI/CAN 372
- NSF/ANSI/CAN 61
- NSF/ANSI 14
- IAPMO/ANSI Z1157
- IAPMO approved for cUPC usage (components individually certified)
- Lead law compliant



D05106



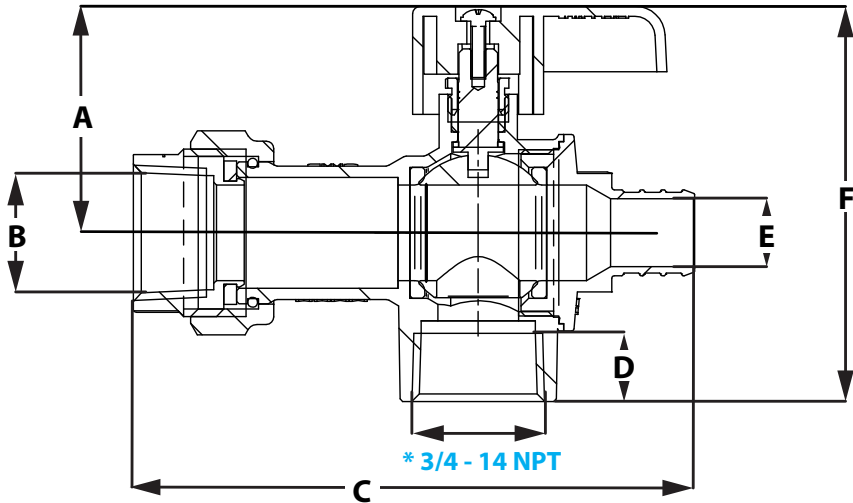
D05017



Pressure Relief Valve

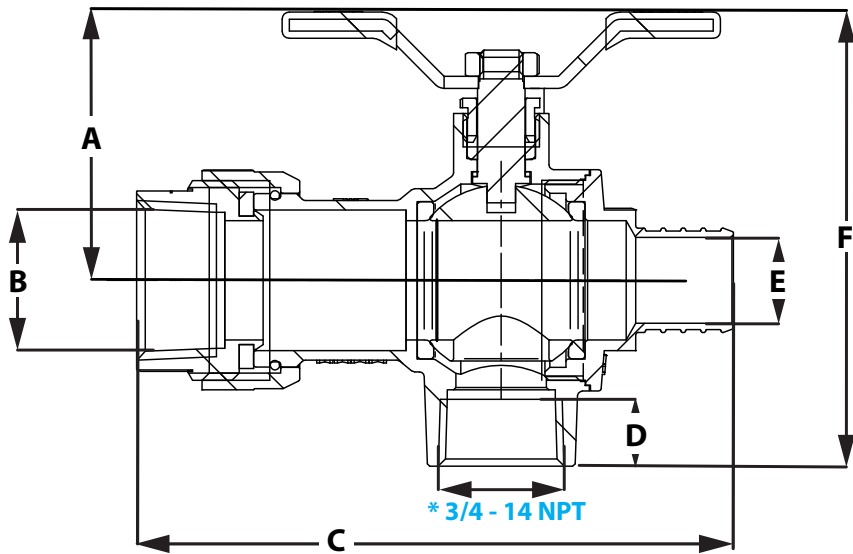
Dimensions and Product Offering

Part Code	Size	Hot & Cold Valves	Pressure Relief Valve	A	B	C	D	E	F
D05106	3/4"	YES - D05106A	YES - G71405	1.77	3/4 - 14 NPT	4.38"	.63"	ASTM F1807 3/4"	3.09"
D05017	1"	YES - D05017A	YES - G71405	2.22	1 - 11.5 NPT	4.93"	.63"	ASTM F1807 1"	3.75"



D05106 3/4" Valves

* Cold Valve does not have this port



D05017 1" Valves

* Cold Valve does not have this port

