



**Mariposa®**  
60" x 36" alcove bath, right drain  
**K-1242-RA**

**Features**

- 60"L x 36"W x 20"H
- A builder favorite designed for quick and easy installation
- Includes integral apron and flange to simplify installation
- Textured bottom surface

**Material**

- Acrylic

**Installation**

- Alcove

**Required Products/Accessories**

K-T37391 Rotary-turn bath drain trim

K-T37392 Rotary-turn bath drain trim

or

K-37383 Rough-in cable bath drain, PVC, 30" cable with tubing

K-78438 30" cable bath drain

or

K-37385 rough-in cable drain, PVC, 45" cable

K-78439 45" cable bath drain

**Recommended Products/Accessories**

K-23726 Drain treatment



**Codes/Standards**

CSA B45.5/IAPMO Z124

ASTM E162

ASTM E662

**KOHLER® Plastic Baths and Shower Bases Lifetime Limited Warranty**

See website for detailed warranty information.

**Available Colors/Finishes**

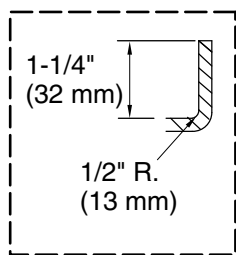
*Color tiles intended for reference only.*

**Color Code Description**

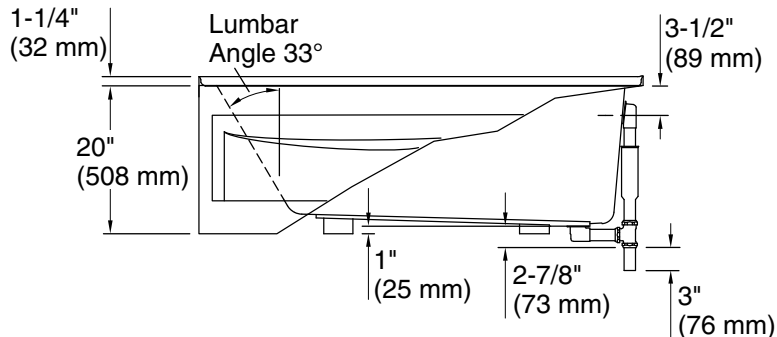
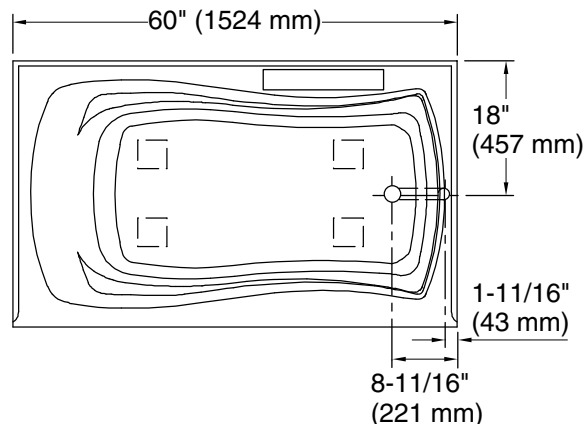
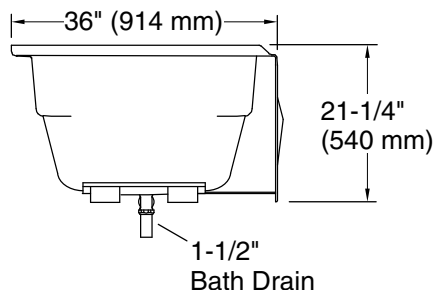
	0	White
---	---	-------

No changes in measurements if connected with drain illustrated. (K-7161-AF)

 Recommended Faucet Location



Flange Detail



### Technical Information

All product dimensions are nominal.

Drain location:	Right
Basin area, bottom:	46" x 24" (1168 mm x 610 mm)
Basin area, top:	54" x 27" (1372 mm x 686 mm)
Weight:	62 lbs (28.1 kg)
Minimum floor load:	41 lbs/ft <sup>2</sup> (200.2 kg/m <sup>2</sup> )
Water depth:	14" (356 mm)
Water capacity:	63 gal (238.5 L)
Minimum flat for door:	2" (51 mm)

### Notes

Measure your actual product for rough-in details.

Install this product according to the installation instructions.

The hot water supply should be 70% of the capacity of the bath or greater. Installations will vary.

If installing a rim-mount faucet, make sure there is no interference above or below the deck before drilling any holes.