

KALLISTA®

Foundations by KALLISTA Traditional handshower with hose P21425-MB

Features

- High-quality solid-brass construction for durability and reliability
- Single-function spray
- Easy-to-clean sprayface resists mineral buildup
- 1.75 gpm (6.6 lpm) maximum flow rate
- Includes 59" (1499 mm) hose
- Handshower mounts to deck or wall with your choice of required installation mounting hardware (sold separately)
- Heat-resistant handle for increased comfort

Recommended Products/Accessories

- P24039-00 Wall Supply Elbow
- P21500-00 Showerhead with Arm
- P31002-00 Towel Bar, 18"
- P21651-00 Wall Bracket with Integrated Supply Elbow
- P24040-00 Fixed Wall Bracket
- P21653-00 Handshower Trim



Codes/Standards



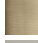


- ASME A112.18.1/CSA B125.1
- ASSE 1014
- DOE - Energy Policy Act 1992
- EPA WaterSense®
- California Energy Commission (CEC)
- OBC

KALLISTA® Five-Year Limited Warranty

See website for detailed warranty information.

Available Colors/Finishes

Color tiles intended for reference only.

Color	Code	Description
	CP	Polished Chrome
	ULB	Unlacquered Brass
	BAF	Brushed French Gold
	BN	Brushed Nickel
	SN	Polished Nickel
	BV	Brushed Bronze

1-888-4-KALLISTA (1-888-452-5547)

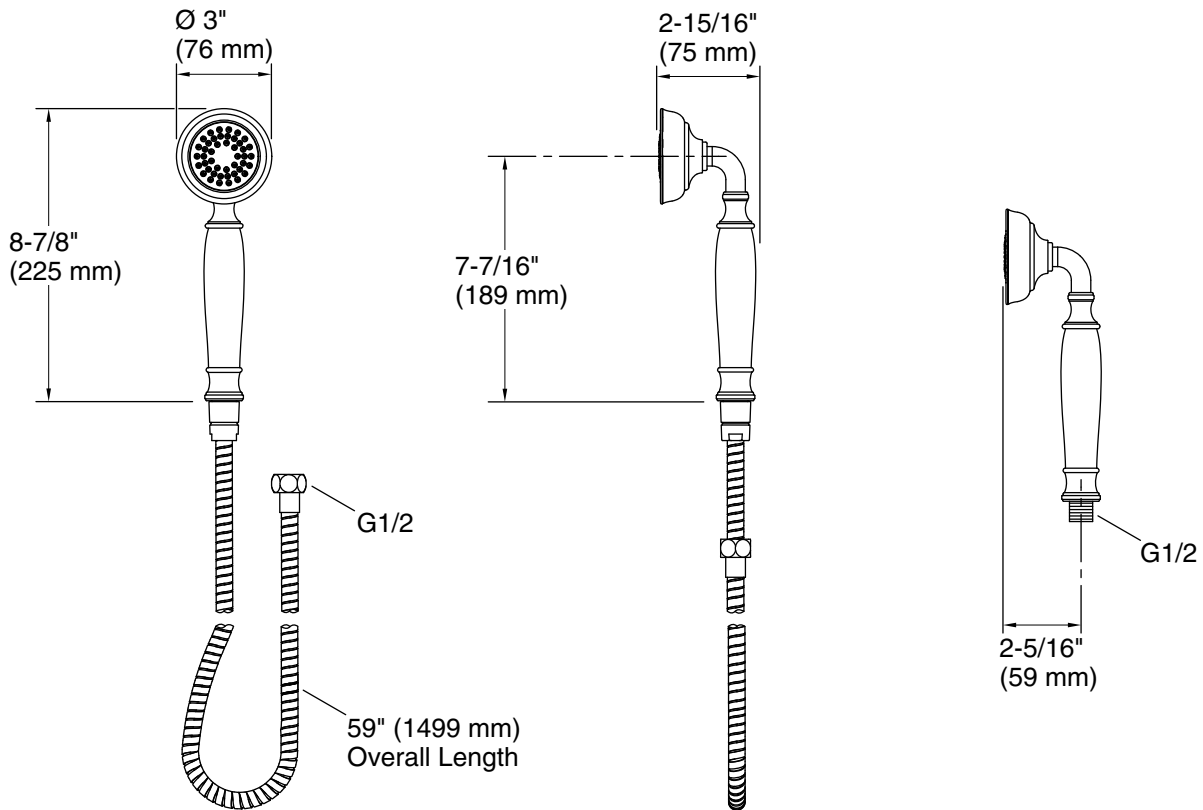
Kallista reserves the right to make revisions without notice to product specifications.

For the most current Specification Sheet, go to www.kallista.com.

6-12-2025 20:37 - US/CA

KALLISTA®

Foundations by KALLISTA Traditional handshower with hose P21425-MB



Technical Information

All product dimensions are nominal.

Handshower rated max flow: 1.75 gal/min (6.6 l/min)

Notes

Install this product according to the installation instructions.

OBC compliant when installed to the specific requirements of these regulations.