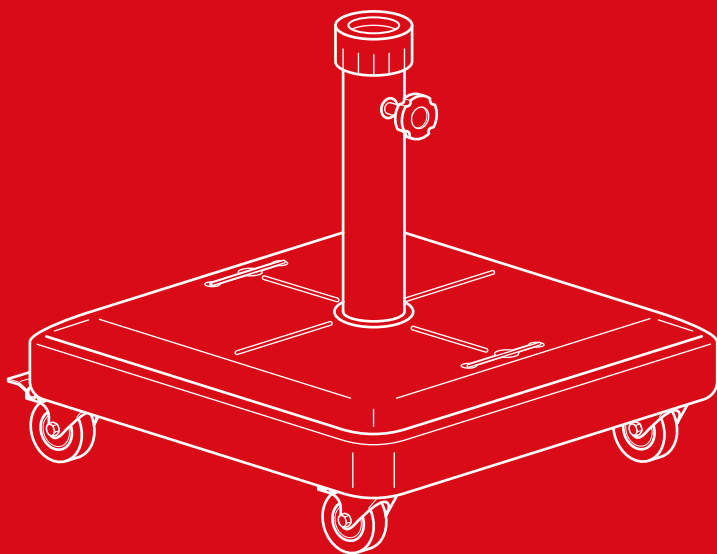




bestchoiceproducts



# INSTRUCTION MANUAL

---

Concrete Square Umbrella Base



**bestchoice**products

---

Thank you for choosing us! Since 2002, Best Choice Products has been bringing customers high-quality products at the absolute lowest price. With everything ranging from instruments and toys to furniture and outdoor, we've got your everyday living essentials covered. We're centered around a customer-first philosophy - with free shipping, exceptional customer service, and a catalog sourced with you in mind.

---

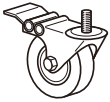
## NOTICE

Please retain these instructions for future reference.

- Umbrella is not included.
- Be careful when handling and moving the base as it is heavy.
- Make sure to lock casters to prevent the base from moving unexpectedly.
- If any parts are missing, broken, damaged, or worn, stop using this product until repairs are made and/or factory replacement parts are installed.
- Do not use this item in a way inconsistent with the manufacturer's instructions as this could void the product warranty.

## PART

### LOCKING CASTERS (4 PCS)



1 PERSON  
ASSEMBLY

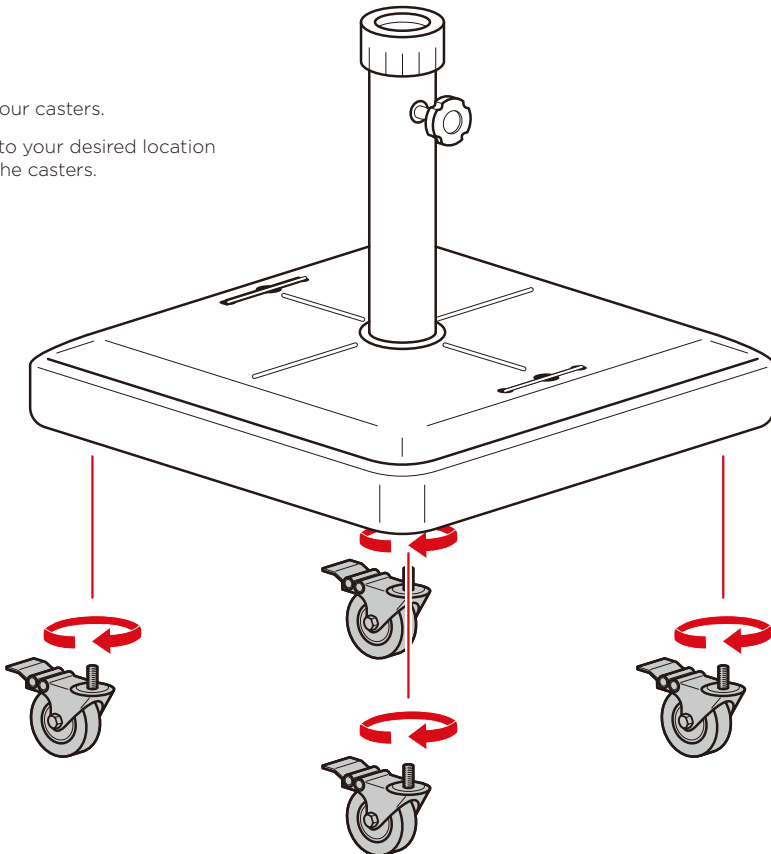


APPROXIMATELY  
5 MIN.  
ASSEMBLY

## PRODUCT ASSEMBLY

Screw in four casters.

Roll base to your desired location  
and lock the casters.

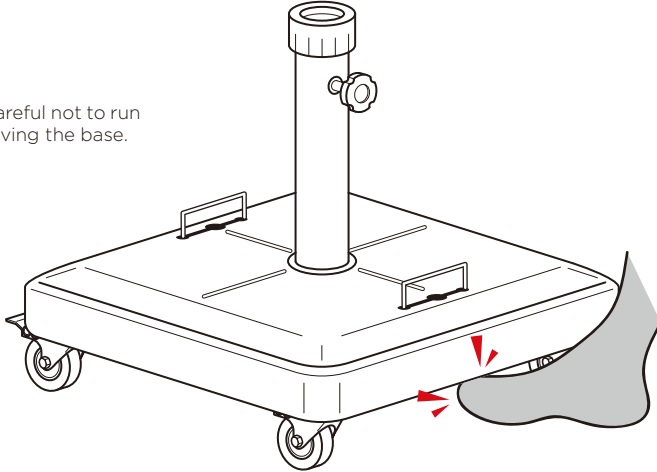


**ASSEMBLY COMPLETE!**

bcp

**CAUTION:**

Item is heavy; be careful not to run over feet when moving the base.



**PRODUCT WARRANTY INFORMATION**

All items can be returned for any reason within 60 days of the receipt and will receive a full refund as long as the item is returned in its original product packaging and all accessories from its original shipment are included. All returned items will receive a full refund back to the original payment method. All returned items will not be charged a re-stocking fee.

All returned items require an RA (Return Authorization) number, which can only be provided by a Best Choice Products Customer Service Representative when the return request is submitted. Items received without an RA may not be accepted or may increase your return processing time. Once an item has been received by Best Choice Products, refunds or replacements will be processed within 5 business days.

All returns must be shipped back to the Best Choice Products Return Center at the customer's expense. If the reason for return is a result of an error by Best Choice Products then Best Choice Products will provide a pre-paid shipping label via email. Boxes for return shipping will not be provided by Best Choice Products, and is the customer's responsibility to either use the original shipping boxes or purchase new boxes.

Pictures may be required for some returns to ensure an item is not damaged prior to its return. Items returned are not considered undamaged until they are received by Best Choice Products and verified as such. All damages to items are the customer's responsibility until the item has been received by and acknowledge by Best Choice Products as undamaged.

**CONTACT US; WE'RE HERE 7 DAYS A WEEK TO HELP YOU!**



[bestchoiceproducts.com](http://bestchoiceproducts.com)



[customerservice@bestchoiceproducts.com](mailto:customerservice@bestchoiceproducts.com)



844.948.8400



LEARN MORE!

**! WARNING**

Manufacturer and seller expressly disclaim any and all liability for personal injury, property damage or loss, whether direct, indirect, or incidental, resulting from the incorrect attachment, improper use, inadequate maintenance, or neglect of this product.