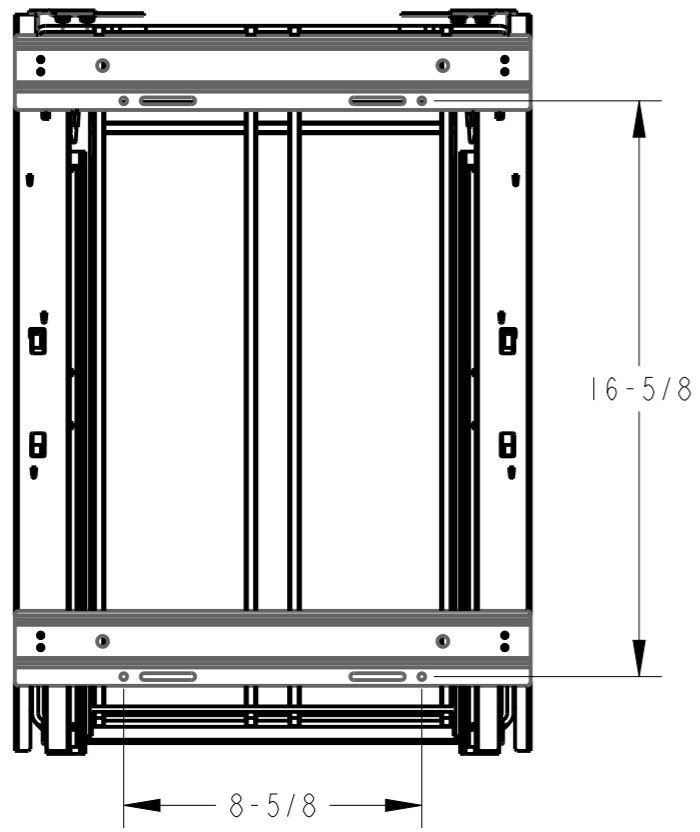
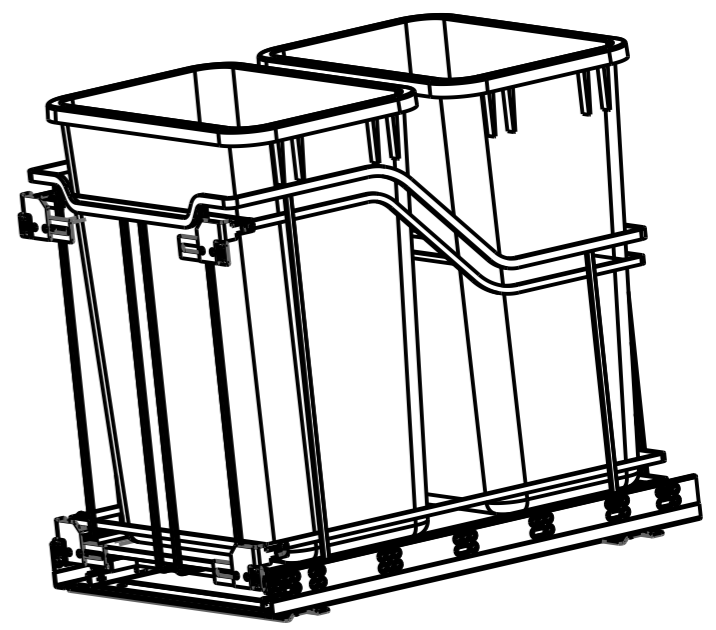
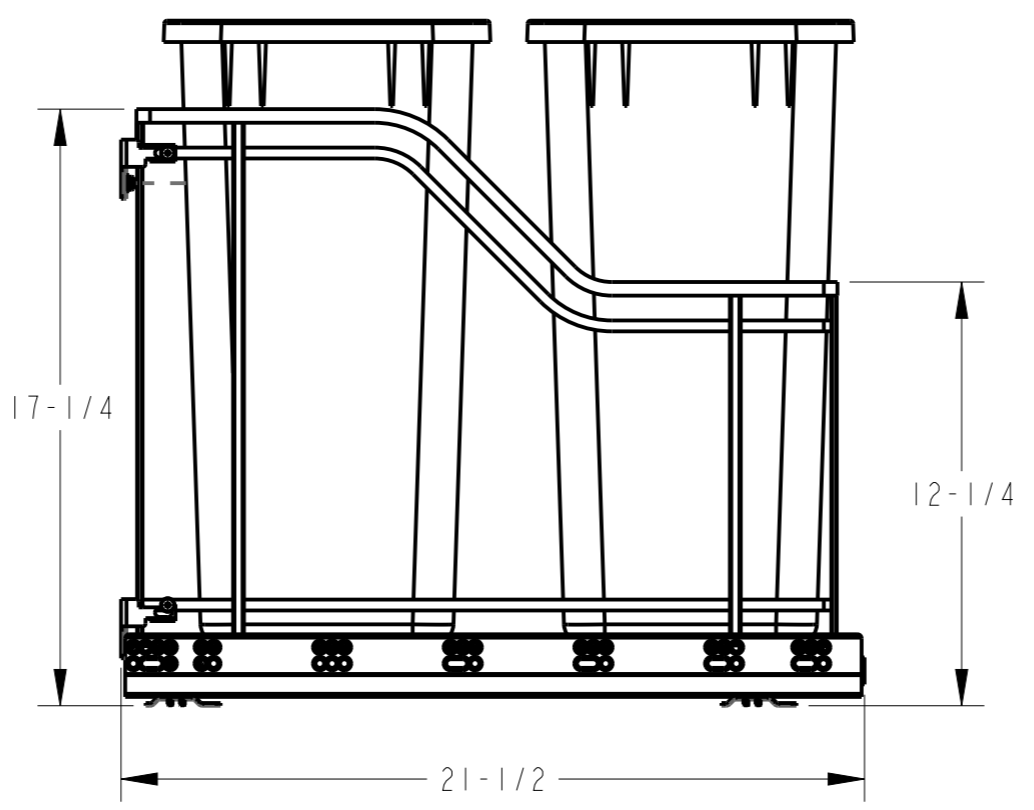
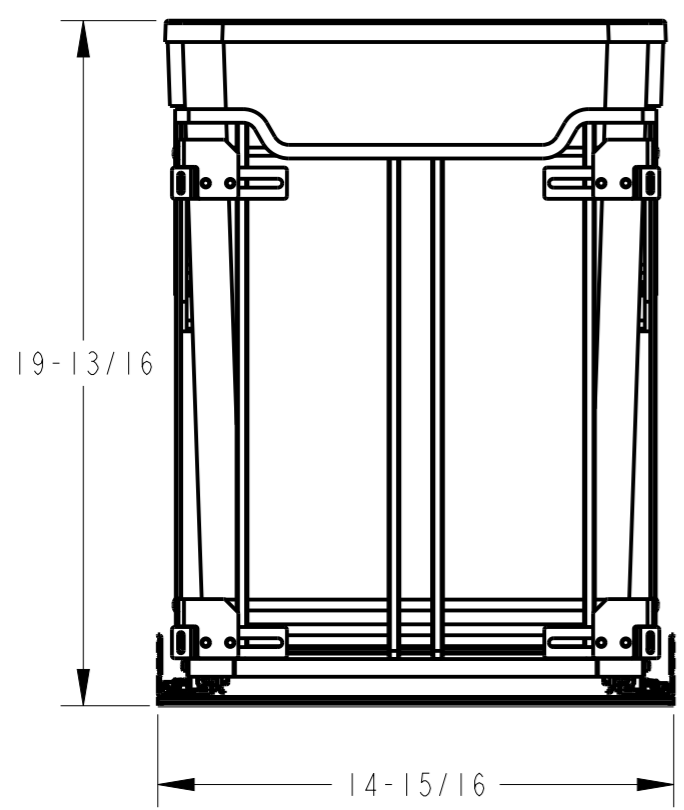


8 7 6 5 4 3 2 1

F
E
D
C
B
A



HR ITEM NUMBER	DESCRIPTION
SWS-MBMD35GPC	STORAGE WITH STYLE DOUBLE 35QT TRASHCAN POLISHED CHROME WITH GRAY CANS
SWS-MBMD35GBN	STORAGE WITH STYLE DOUBLE 35QT TRASHCAN TITANIUM WITH GRAY CANS

A



HARDWARE RESOURCES RESERVES THE RIGHT TO CHANGE SPECIFICATIONS WITHOUT NOTICE. IN CASE OF A DISCREPANCY, ACTUAL PART GEOMETRY SUPERSEDES THIS DOCUMENT.

THE INFORMATION CONTAINED WITHIN THIS DRAWING IS THE SOLE PROPERTY OF HARDWARE RESOURCES INC. ANY REPRODUCTION IN PART OR WHOLE WITHOUT WRITTEN PERMISSION OF HARDWARE RESOURCES INC. IS PROHIBITED.

DOCUMENT STATUS		Released	
UNLESS OTHERWISE SPECIFIED DIMENSIONS ARE IN INCHES (IN)			
MATERIAL	FINISH		
N/A	SEE TABLE		
THIRD ANGLE PROJECTION		DATE	
		25JAN2018	

DESCRIPTION		
STORAGE WITH STYLE DOUBLE 35QT TRASHCAN WITH GRAY CANS		
DRAWING NUMBER		REV
SWS-MBMD35G		B
SIZE	SCALE	SHEET
A3	0.180	1 / 1

8 7 6 5 4 3 2 1