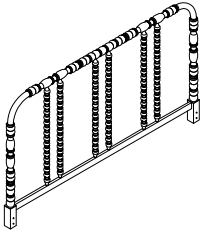


# ASSEMBLY INSTRUCTION

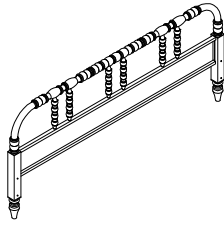
FULL BED  
QUEEN BED

**A** Headboard



1pc

**B** Footboard



1pc

**C** Extension Leg - Left



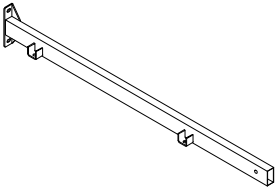
1pc

**D** Extension Leg - Right



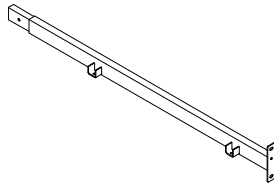
1pc

**E** Side Rail - Front



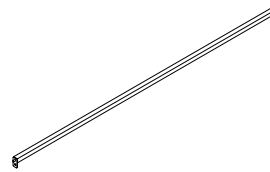
2pcs

**F** Side Rail - Rear



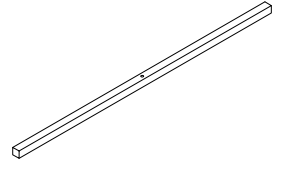
2pcs

**G** Bar



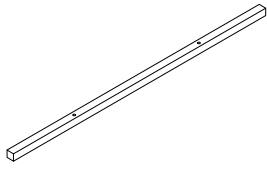
1pc

**H** Slat - Front / Rear



2pcs

**I** Slat - Middle



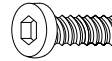
2pcs

**J** Support Leg



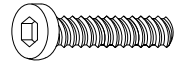
6pcs

**K** Bolt  
Ø1/4"x5/8"



24pcs

**L** Bolt  
Ø1/4"x1-3/4"



6pcs

**M** Bolt  
Ø1/4"x2-1/4"



4pcs

**N** Flat Washer  
Ø1/4"x16mm



38pcs

**O** Allen Key  
M4



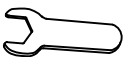
1pc

**P** Hex Nut  
Ø1/4"

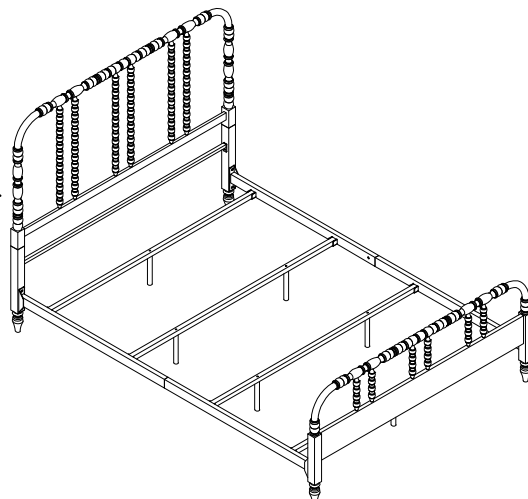


4pcs

**Q** Spanner  
11.3mm

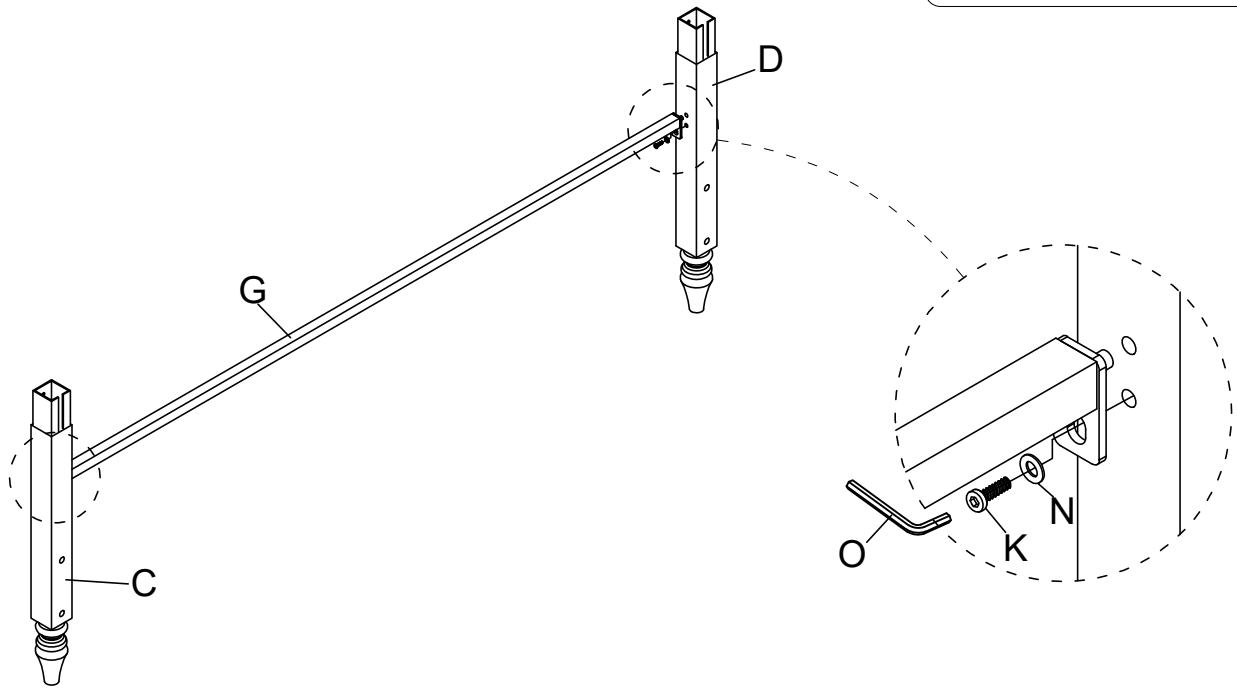





1pc



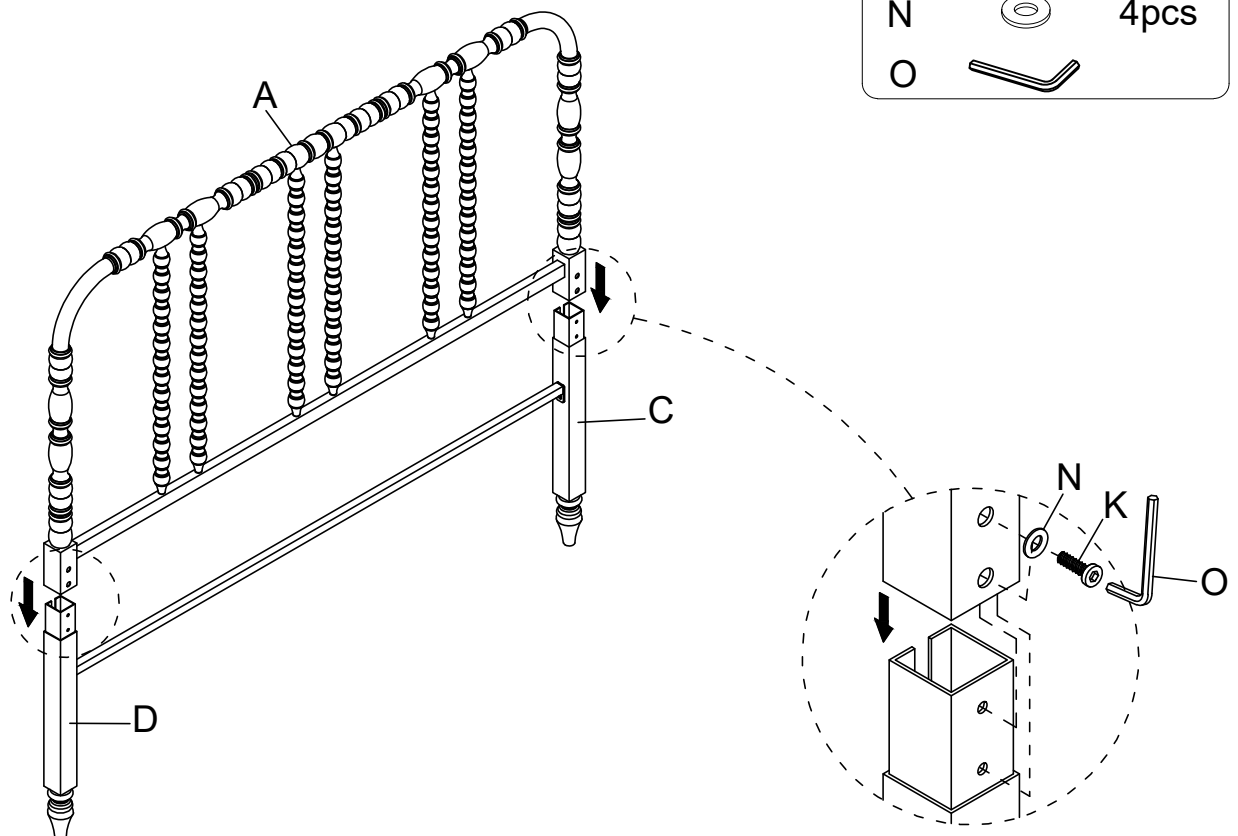
This page lists all the contents included in the box. Please take the time to identify the hardware as well as the individual components to this product. As you unpack and prepare for assembly, place the contents on a carpeted or padded area to protect them from damage.

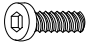


**1** Assemble Bar (G) to Extension Leg - Left (C) & Extension Leg - Right (D), using Bolt (K) & Flat Washer (N) by Allen Key (O).






K		2pcs
N		2pcs
O		

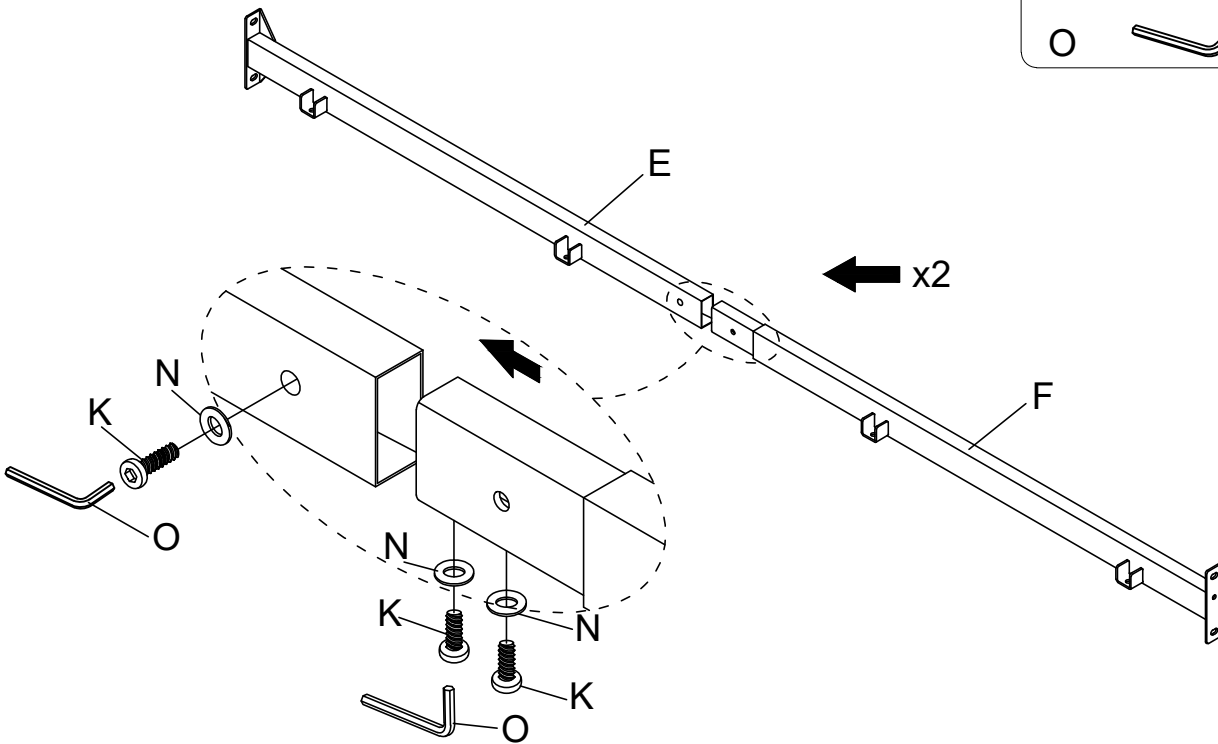
**2** Assemble Headboard (A) to Extension Leg - Left (C) & Extension Leg - Right (D), using Bolt (K) & Flat Washer (N) by Allen Key (O).









K		4pcs
N		4pcs
O		

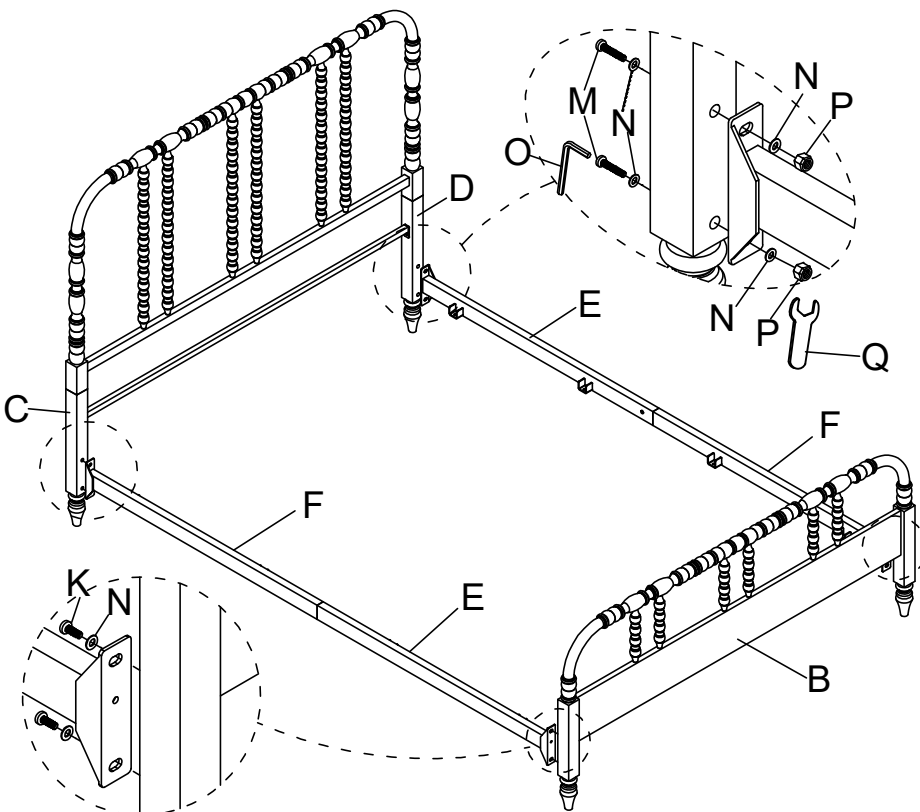
**3** Connect both Side Rail - Front (E) to Side Rail - Rear (F), using Bolt (K) & Flat Washer (N) by Allen Key (O) as below shown.

K		6pcs
N		6pcs
O		

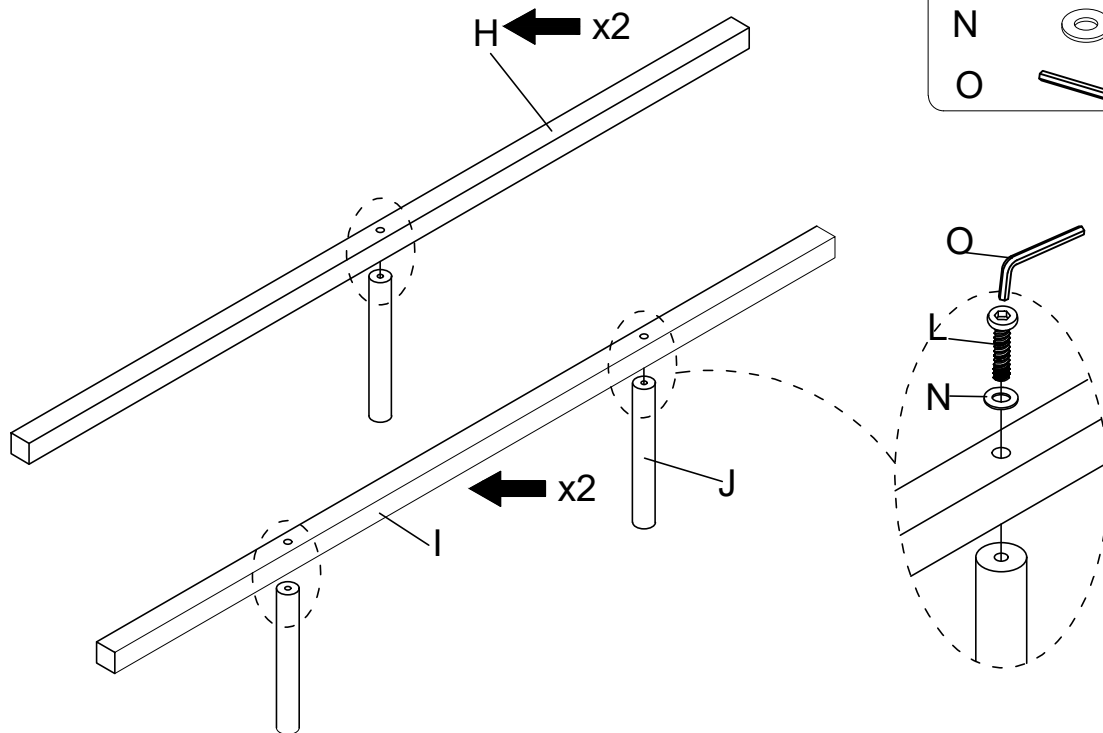


**4** Assemble the pre-connected Side Rail - Front (E) & Side Rail - Rear (F) to Extension Leg - Left (C) & Extension Leg - Right (D) and Footboard (B), using Bolt (K), Bolt (M) & Flat Washer (N) by Allen Key (O) with Hex Nut (P) by Spanner (Q).

K		4pcs
M		4pcs
N		12pcs
O		
P		4pcs
Q		

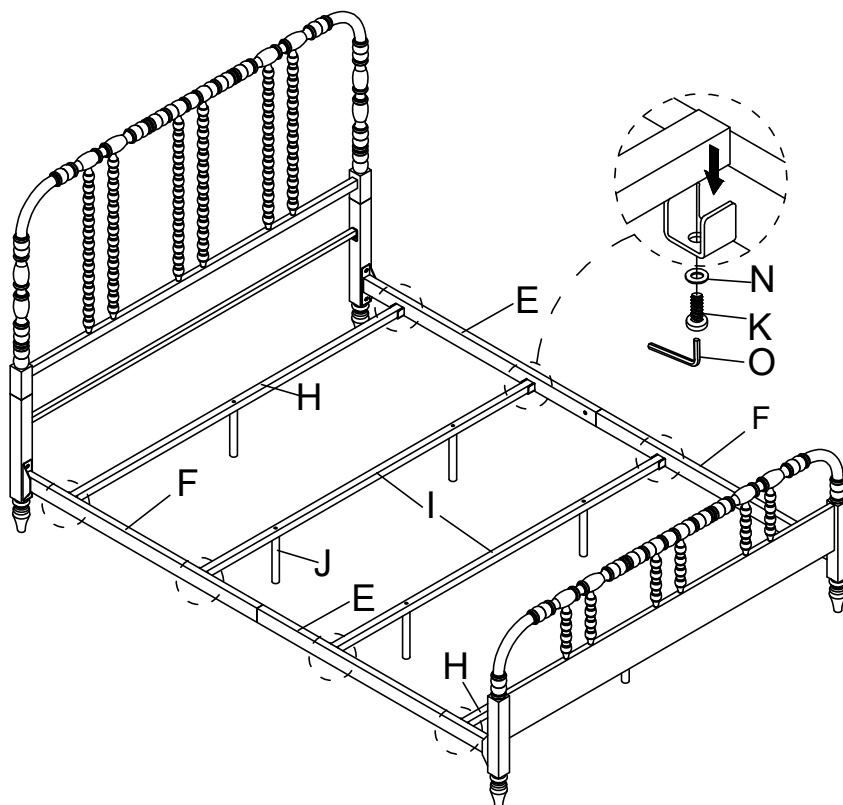


**5** Attach the Support Leg (J) to Slat - Middle (I) and Slat -Front / Rear (H), using Bolt (L) & Flat Washer (N) by Allen Key (O) as below shown.



L		6 pcs
N		6 pcs
O		

**6** Attach the pre-assembled Slat - Middle (I) and Slat - Front / Rear (H) to Side Rail - Front (E) & Side Rail - Rear (F), using Bolt (K) & Flat Washer (N) by Allen Key (O) as below shown.



K		8 pcs
N		8 pcs
O		

### Cleaning & Care

Treat surface with care. Surface is resistant to scratches but is not scratch resistant. Clean surfaces with a dry or damp soft cloth. Do not use abrasive cleaners. Hardware may loosen over time. Periodically check that all connections are tight.