

SR SERIES LARGE PIVOTING WALL RACK WITH FORWARD CAPABILITIES

Pivoting, sectional wall cabinet is ideal for larger systems in both secured and non-secured areas where space is limited and rear access to equipment is required.

FEATURES

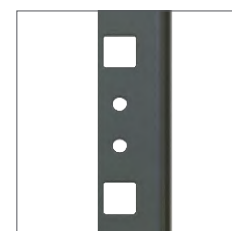
- SR's are now equipped with the revolutionary Forward rackrail giving you the ability to use Forward blank panels, vent panels and horizontal cable management. Rear rackrail is optional.
- SRs now accept patented Lever Lock™ tool free and hardware free internal device and cable management system accessories in the center section and the backpan (with LL-DWR/SR-BP)
- New and improved rackrail brackets not only accommodate Lever Lock in the center section but all Forward Drop-In Accessories like vertical cable management and utility lighting.
- Available in 23.5" and 29" widths
- 29" width includes front vertical cable managers
- Available in 22", 28" and 32" overall depths with 20", 26" and 30" useable depth
- Tool-free Quick-Mount™ system allows for easy mounting of the center section to the backpan on the job site
- Center section rear channel accommodates optional slim power to save space, including Select Vertical PDU with RackLink™
- Optional minimum-clearance latch allows side-by-side or corner mounting to save room
- Reversible padlockable center section is keyed differently from optional front door for security
- Bottom cable entry platform provides attractive shroud to conceal conduit stubs
- Easily removable laser knockouts accommodate conduit, UHF/VHF antennas, Wiremold® 4000 Series raceways, Middle Atlantic Universal Connector Panels
- Grounding/bonding stud in top and bottom of center section and backpan facilitates proper grounding and bonding of electronic equipment, as per NEBS and NEC standards
- Finished in a durable black textured powder coat
- UL Listed in the US and Canada
- Seismic certified (when used with DWRSR-ZL latch) with an Importance factor (Ip) value of 1.5



Pivoting Wall Rack
SR-40-22



Rackrail Brackets



Forward Rackrail

SR SERIES LARGE PIVOTING WALL RACK WITH FORWARD CAPABILITIES

OPTIONS

- Front doors shall be reinforced steel, model # FD-XX (solid), PFD-XX (plexi), VFD-XX (vented, 22% open area), LVFD-XX (vented, 68% open area), XX=# of rackspaces for 23-1/2" width models. Front doors shall be reinforced steel, model # FD28-XX (solid), PFD28-XX (plexi), LVFD28-XX (vented 64% open area), XX=# of rackspaces for 29" width models
- Lever Lock™ tool free and hardware free internal device and cable management system accessories shall be model # LL-XXYY (XX = type, YY = size. Backpan Lever Lock™ kit shall be LL-DWR/SR-BP
- Keyless latch to replace key lock on front door shall be model # LATCH
- Kit for mounting UPS in base of SR shall be SR-UPS-BKT
- Fan Kit with Vent Blockers shall be DWR-FK__ and provide 190 CFM for 23-1/2" width, 22" depth models, DWR-FK6-32 and provide 440CFM for 23-1/2" width, 28" and 32" depth models, SR28-FK6-32 and provide 440 CFM for 29" width models
- Forward rear rail kit, 10-32 threaded with center cage nut hole 23-1/2 width models shall be model # FWD-DWR-RRXX, for 29" width models, FWD-SR28-RRXX, sold in pairs, hardware included, XX=# of rackspaces
- Sub-plate mounting kit shall be model # SR-SUB. SR-SUB shall mount up to (4) 89-D type brackets, (4) 1900 boxes or (1) Raco 3 gang box. SR Series pivoting racks can mount up to 4 SR-SUB sub-plate mounting kits (2 for 24 space models)
- Minimum-clearance latch shall allow side-by-side or corner mounting, shall be model # DWRSR-ZL
- Gland grommet for 4" electrical knockouts at top of SR shall be model # GK-4G. 4 pieces
- Optional bonding kit for UL-2416 (NWIN) compliance shall be Middle Atlantic Products PET-K-SR (for backpan to center section), PET-K-FD (for front door to center section), PET-K-DWRFK (for fan kit to center section)
- 4" Vertical cable management fingers for 29" width SR shall be SR-IVCMF-XX, shall include a single piece, XX= #of rackspaces

SR SERIES LARGE PIVOTING WALL RACK WITH FORWARD CAPABILITIES

SPECIFICATIONS

EIA compliant 19" pivoting equipment rack shall be Middle Atlantic Products model # SR-__-__ (refer to chart) and shall have __ useable rackspaces and a useable depth of __ (refer to chart). Overall dimensions of rack shall be __H x __" W x __D (refer to chart). SR shall have a 500 lb. weight capacity. Tool-free Quick-Mount™ system shall simplify installation. Rack shall be constructed of the following materials: top, base, center section and backpan shall be steel and all structural elements shall be finished in a durable black powder coat. Adjustable rackrail shall have two 10-32 threaded holes per side of each marked rackspace, and a cage-nut style mount center hole that is compatible with tool-free Forward Series rackmount accessories. SR shall accept patented LeverLock™ tool free and hardware free internal cable and device management system accessories. Rack shall have 2", 3" and 4" electrical knockouts and BNC knockouts for UHF/VHF antennas. Large laser knockout on backpan shall have a 12-1/2" x 12-1/2" opening for electrical pull-box. Fan knockouts on top and bottom shall allow installation of 4-1/2" fans (23-1/2" width models) or 6" fans (29" width models). Rack shall include 2", 3" and 4" knockouts for Wiremold® 4000 Series raceways and knockouts for Middle Atlantic Products Universal Connector Panels. Bottom shall have a cable entry platform with removable 4 rackspace front access cover and conceal conduit stubs. 29" Width SR Series shall include 4" cable management fingers mounted to front rail. SR Series enclosures shall satisfy the 2007, 2010, and 2013 CBC; 2006, 2009 & 2012 IBC; ASCE 7-05 (2005 Edition) & ASCE 7-10 (2010 Edition) for use in areas of high seismicity, with lateral force requirements for protecting 277 lbs. of essential equipment in locations with the highest level of seismicity and top floor or rooftop installations with an Importance factor (Ip) of 1.5 when used with DWRSR-ZL Latch. Rack shall be UL Listed in the US to the UL-2416 (NWIN) and Canada to CSA C22.2, No. 60950-1 when used with optional bonding kit, model # PET-K-__. SR Series shall be GREENGUARD Gold Certified. SR shall be manufactured by an ISO 9001 and ISO 14001 registered company. Rack shall be warrantied to be free from defects in material or workmanship under normal use and conditions for the lifetime of the rack.



PRODUCT CERTIFIED FOR
LOW CHEMICAL EMISSIONS
UL.COM/GG
UL 2818



EIA/TIA COMPLIANT

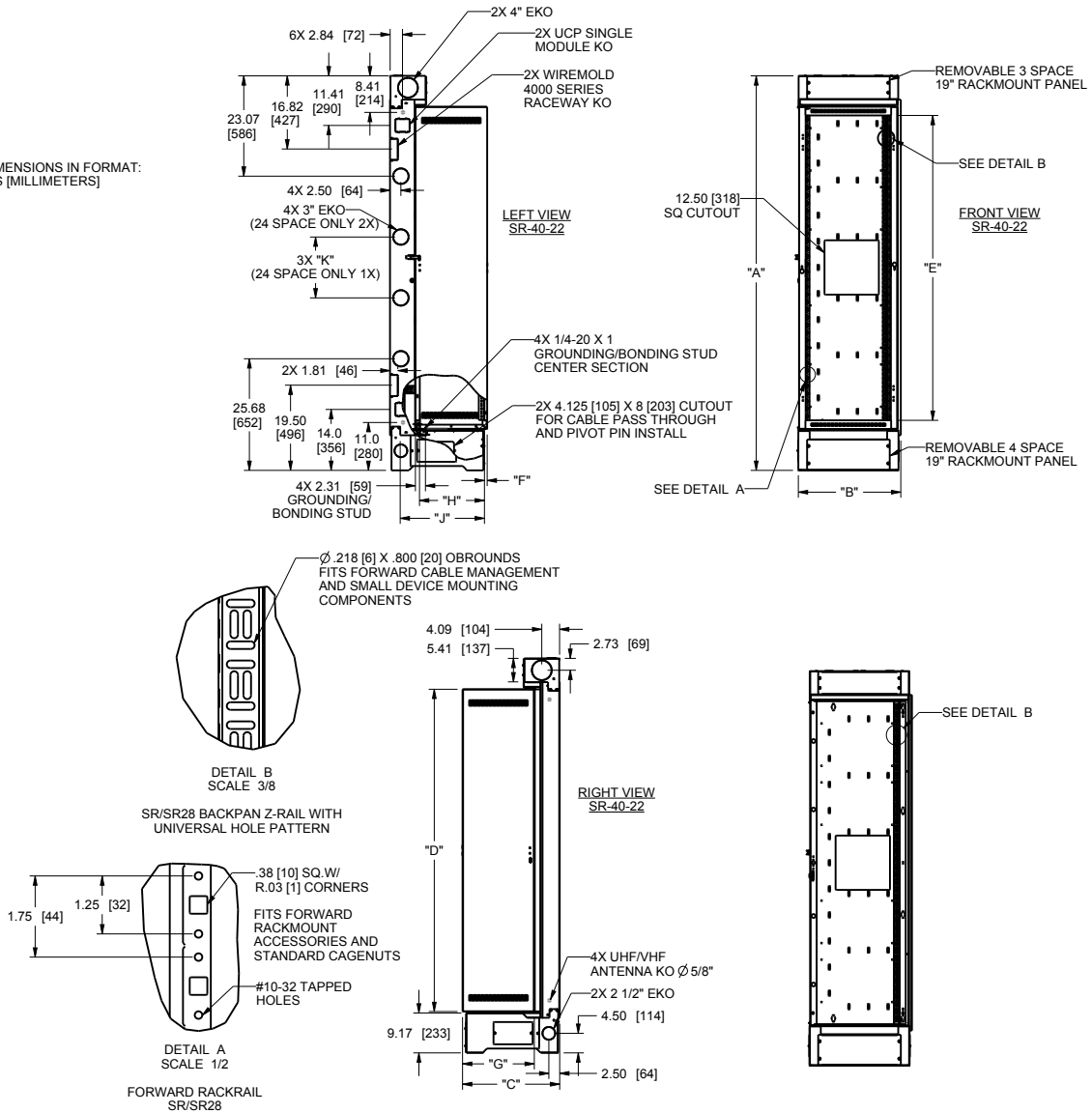
US PATENT# 7, 278, 183

SEISMIC CERTIFIED

SR SERIES LARGE PIVOTING WALL RACK WITH FORWARD CAPABILITIES

BASIC DIMENSIONS

NOTE(S):
1) ALL DIMENSIONS IN FORMAT:
INCHES [MILLIMETERS]



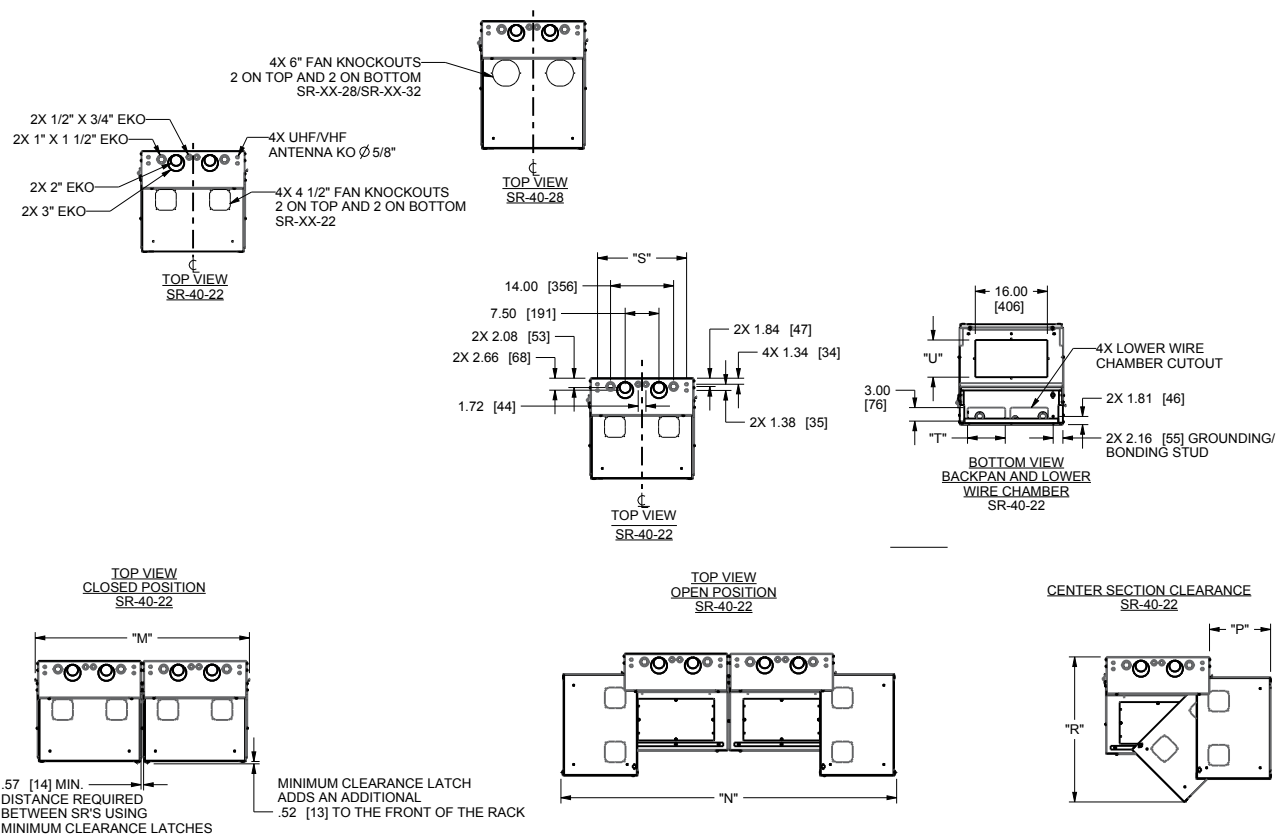
MODEL #	OVERALL HEIGHT "A"	OVERALL WIDTH "B"	OVERALL DEPTH "C"	CENTER SECTION HEIGHT "D"	RACKING HEIGHT "E"	RACK SPACES	FRONT RAIL SETBACK "F"	CENTER SECTION DEPTH "G"	RAIL TO RAIL DEPTH WHEN REAR MOUNTING IS REQUIRED * "H"	USABLE DEPTH OF EQUIPMENT "J"	3" EKO SPACING "K"
SR-24-28	62.75 [1594]	23.56 [598]	28.34 [720]	46.13 [1172]	42.00 [1067]	24 SPACES	.63 [16]	22.50 [571]	21.75 [552]	26.00 [660]	14.00 [356]
SR-24-32	62.75 [1594]	23.56 [598]	32.34 [821]	46.13 [1172]	42.00 [1067]	24 SPACES	.63 [16]	26.50 [673]	25.75 [654]	30.00 [762]	14.00 [356]
SR-40-22	90.75 [2305]	23.56 [598]	22.34 [567]	74.13 [1883]	70.00 [1778]	40 SPACES	.63 [16]	16.50 [419]	15.75 [400]	20.00 [508]	14.00 [356]
SR-40-28	90.75 [2305]	23.56 [598]	28.34 [720]	74.13 [1883]	70.00 [1778]	40 SPACES	.63 [16]	22.50 [571]	21.75 [552]	26.00 [660]	14.00 [356]
SR-40-32	90.75 [2305]	23.56 [598]	32.34 [821]	74.13 [1883]	70.00 [1778]	40 SPACES	.63 [16]	26.50 [673]	25.75 [654]	30.00 [762]	14.00 [356]
SR-46-28	101.25 [2572]	23.56 [598]	28.34 [720]	84.63 [2150]	80.50 [2045]	46 SPACES	.63 [16]	22.50 [571]	21.75 [552]	26.00 [660]	17.50 [445]

*NOTE: REAR RAIL IS OPTIONAL
MODEL# FWD-DWR-RR24, FWD-DWR-RR40, FWD-DWR-RR46

SR SERIES LARGE PIVOTING WALL RACK WITH FORWARD CAPABILITIES

BASIC DIMENSIONS

NOTE(S):
1) ALL DIMENSIONS IN FORMAT:
INCHES [MILLIMETERS]

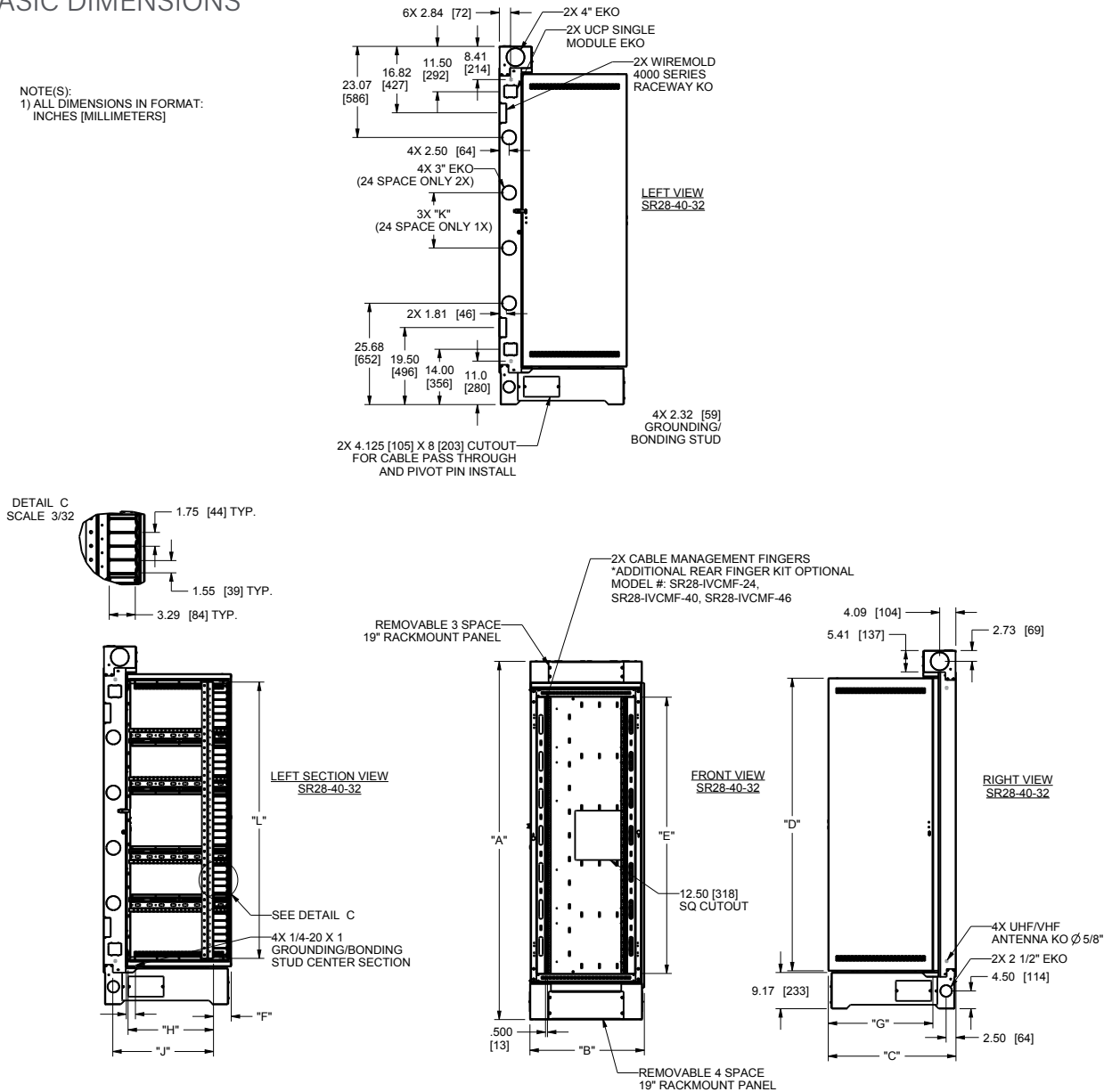


MODEL #	GANGABLE CLOSED WIDTH "M"	GANGABLE OPEN WIDTH "N"	CENTER SECTION CLEARANCE WIDTH "P"	CENTER SECTION CLEARANCE DEPTH "R"	UHF/VHF ANTENNA KO WIDTH "S"	LOWER WIRE CHAMBER CUTOUT WIDTH "U"	BASE CUTOUT DEPTH FOR CABLE PASS THROUGH "U"
SR-24-28	47.56 [1208]	86.53 [2198]	19.56 [497]	36.50 [927]	19.77 [502]	8.375 [213]	14.25 [362]
SR-24-32	47.56 [1208]	94.53 [2401]	23.56 [598]	39.60 [1006]	19.77 [502]	8.375 [213]	14.25 [362]
SR-40-22	47.56 [1208]	74.53 [1893]	13.56 [344]	32.50 [826]	19.77 [502]	8.375 [213]	8.25 [210]
SR-40-28	47.56 [1208]	86.53 [2198]	19.56 [497]	36.50 [927]	19.77 [502]	8.375 [213]	14.25 [362]
SR-40-32	47.56 [1208]	94.53 [2401]	23.56 [598]	39.60 [1006]	19.77 [502]	8.375 [213]	14.25 [362]
SR-46-28	47.56 [1208]	86.53 [2198]	19.56 [497]	36.50 [927]	19.77 [502]	8.375 [213]	14.25 [362]

SR SERIES LARGE PIVOTING WALL RACK WITH FORWARD CAPABILITIES

BASIC DIMENSIONS

NOTE(S):
1) ALL DIMENSIONS IN FORMAT:
INCHES [MILLIMETERS]



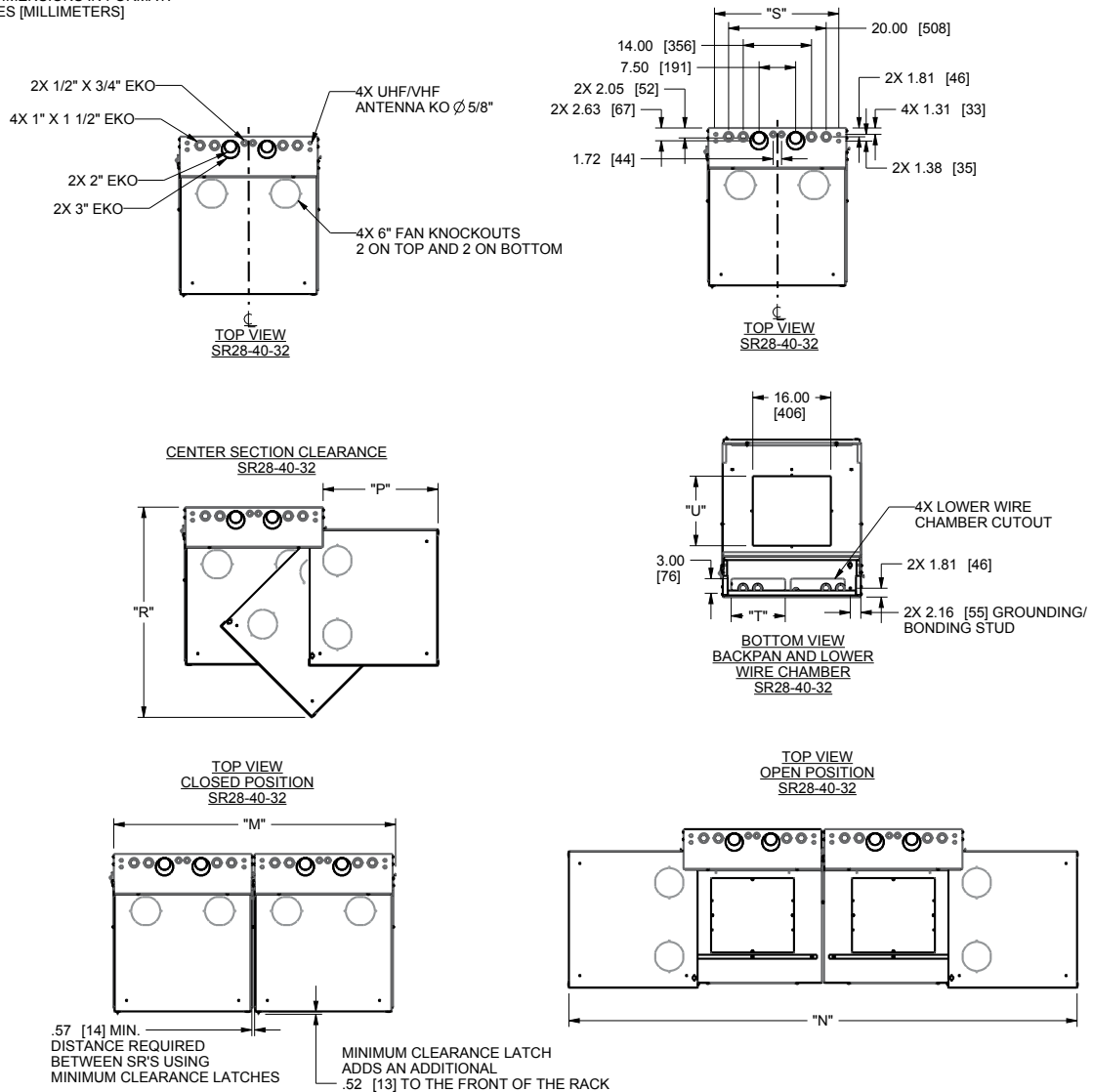
MODEL #	OVERALL HEIGHT "A"	OVERALL WIDTH "B"	OVERALL DEPTH "C"	CENTER SECTION HEIGHT "D"	RACKING HEIGHT "E"	RACK SPACES	FRONT RAIL SETBACK "F"	CENTER SECTION DEPTH "G"	RAIL TO RAIL DEPTH WHEN REAR MOUNTING IS REQUIRED * "H"	USABLE DEPTH OF EQUIPMENT "J"	3" EKO SPACING "K"	CABLE MANAGEMENT FINGERS HEIGHT "L"
SR28-24-32	62.75 [1594]	28.97 [736]	32.34 [821]	46.13 [1172]	42.00 [1067]	24 SPACES	4.50 [114]	26.50 [673]	21.87 [555]	25.50 [648]	14.00 [356]	42.00 [1067]
SR28-40-32	90.75 [2305]	28.97 [736]	32.34 [821]	74.13 [1883]	70.00 [1778]	40 SPACES	4.50 [114]	26.50 [673]	21.87 [555]	25.50 [648]	14.00 [356]	69.93 [1776]
SR28-46-32	101.25 [2572]	28.97 [736]	32.34 [821]	84.63 [2150]	80.50 [2045]	46 SPACES	4.50 [114]	26.50 [673]	21.87 [555]	25.50 [648]	17.50 [445]	79.46 [2018]

*NOTE: REAR RAIL IS OPTIONAL
MODEL# FWD-SR28-RR24, FWD-SR28-RR40, FWD-SR28-RR46

SR SERIES LARGE PIVOTING WALL RACK WITH FORWARD CAPABILITIES

BASIC DIMENSIONS

NOTE(S):
1) ALL DIMENSIONS IN FORMAT:
INCHES [MILLIMETERS]

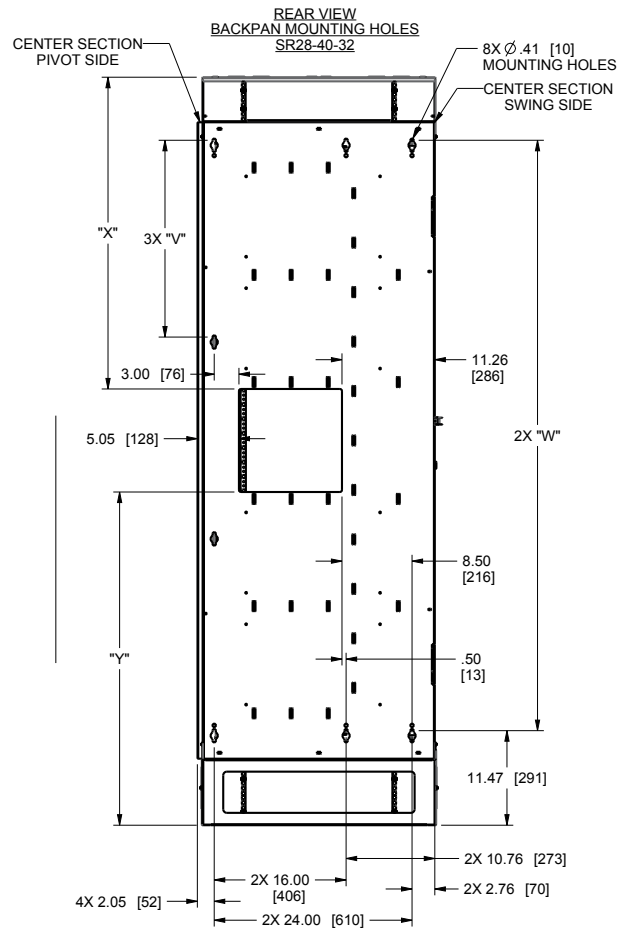
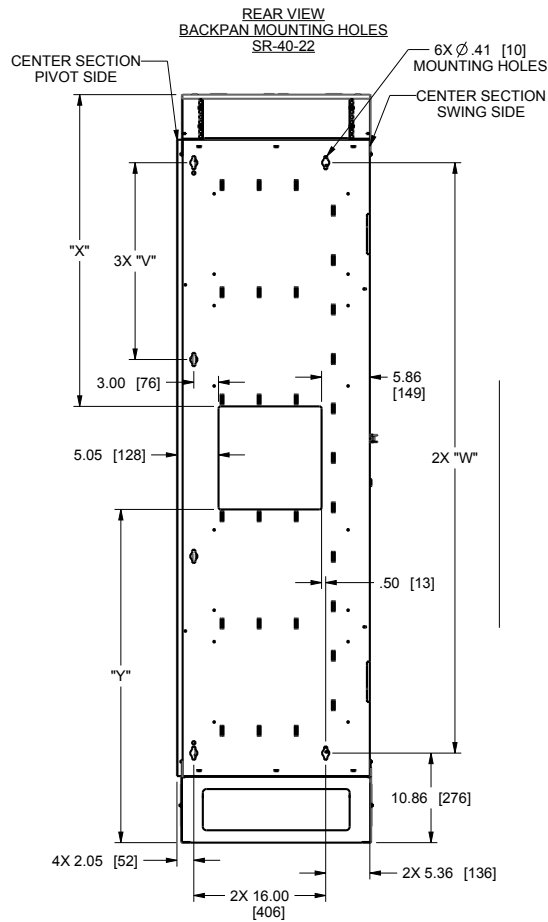


MODEL #	GANGABLE CLOSED WIDTH "M"	GANGABLE OPEN WIDTH "N"	CENTER SECTION CLEARANCE WIDTH "P"	CENTER SECTION CLEARANCE DEPTH "R"	UHF/VHF ANTENNA KO WIDTH "S"	LOWER WIRE CHAMBER CUTOUT WIDTH "T"	BASE CUTOUT DEPTH FOR CABLE PASS THROUGH "U"
SR28-24-32	58.37 [1483]	105.23 [2673]	23.56 [598]	43.01 [1095]	25.49 [647]	11.08 [281]	14.25 [362]
SR28-40-32	58.37 [1483]	105.23 [2673]	23.56 [598]	43.01 [1095]	25.49 [647]	11.08 [281]	14.25 [362]
SR28-46-32	58.37 [1483]	105.23 [2673]	23.56 [598]	43.01 [1095]	25.49 [647]	11.08 [281]	14.25 [362]

SR SERIES LARGE PIVOTING WALL RACK WITH FORWARD CAPABILITIES

BASIC DIMENSIONS

NOTE(S):
1) ALL DIMENSIONS IN FORMAT:
INCHES [MILLIMETERS]



MODEL NUMBER	WALL MOUNT HOLE SPACING PIVOT SIDE "V"	WALL MOUNT HOLE SPACING SWING SIDE "W"	TOP OF SQ CUTOUT TO TOP OF RACK "X"	BOTTOM OF SQ CUTOUT TO BOTTOM OF RACK "Y"
SR-24-28	14.50 [368]	43.50 [1105]	23.82 [605]	26.43 [671]
SR-24-32	14.50 [368]	43.50 [1105]	23.82 [605]	26.43 [671]
SR-40-22	23.88 [606]	71.63 [1819]	37.82 [961]	40.43 [1027]
SR-40-28	23.88 [606]	71.63 [1819]	37.82 [961]	40.43 [1027]
SR-40-32	23.88 [606]	71.63 [1819]	37.82 [961]	40.43 [1027]
SR-46-28	27.38 [695]	82.13 [2086]	43.07 [1094]	45.68 [1160]
SR28-24-32	14.50 [368]	43.50 [1105]	23.82 [605]	26.43 [671]
SR28-40-32	23.88 [606]	71.63 [1819]	37.82 [961]	40.43 [1027]
SR28-46-32	27.38 [695]	82.13 [2086]	43.07 [1094]	45.68 [1160]

SR SERIES LARGE PIVOTING WALL RACK WITH FORWARD CAPABILITIES

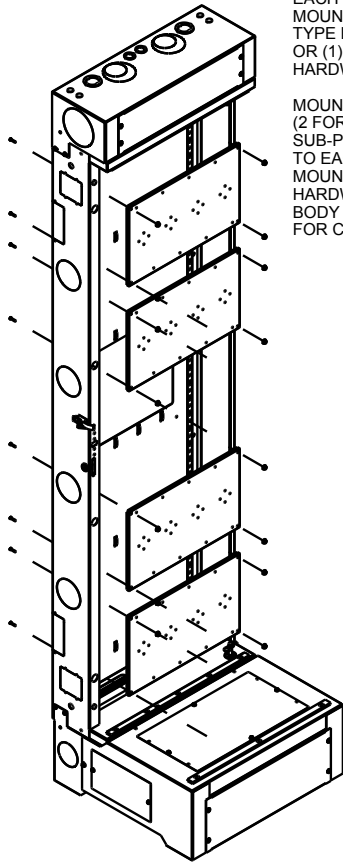
BASIC DIMENSIONS

NOTE(S):
1) ALL DIMENSIONS IN FORMAT:
INCHES [MILLIMETERS]

OPTIONAL SUB-PLATE MOUNTING KIT
MODEL # SR-SUB

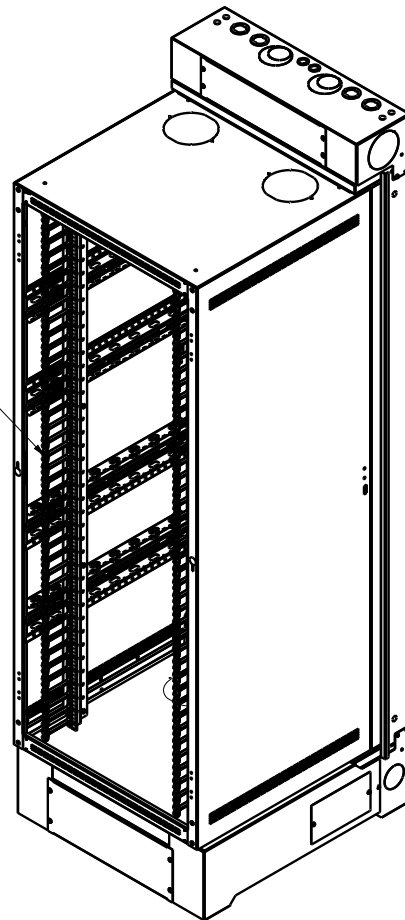
EACH SR-SUB ALLOWS FOR THE
MOUNTING OF UP TO (4) 89-D
TYPE BRACKETS, (4) 1900 BOXES
OR (1) RACO 3 GANG BOX.
HARDWARE INCLUDED.

MOUNT UP TO 4 SR-SUB
(2 FOR 24 SPACE MODELS)
SUB-PLATE MOUNTING KITS
TO EACH SR BACKPAN USING
MOUNTING HOLES AND INCLUDED
HARDWARE. (SHOWN WITH MAIN
BODY OF ENCLOSURE REMOVED
FOR CLARITY)



SR-40-22

SHOWN WITH PRE-INSTALLED
CABLE FINGERS (SR28 MODELS ONLY),
OPTIONAL REAR FINGER KIT
ALSO AVAILABLE
MODEL# SR28-IVCMF-24,
SR28-IVCMF-40, SR28-IVCMF-46

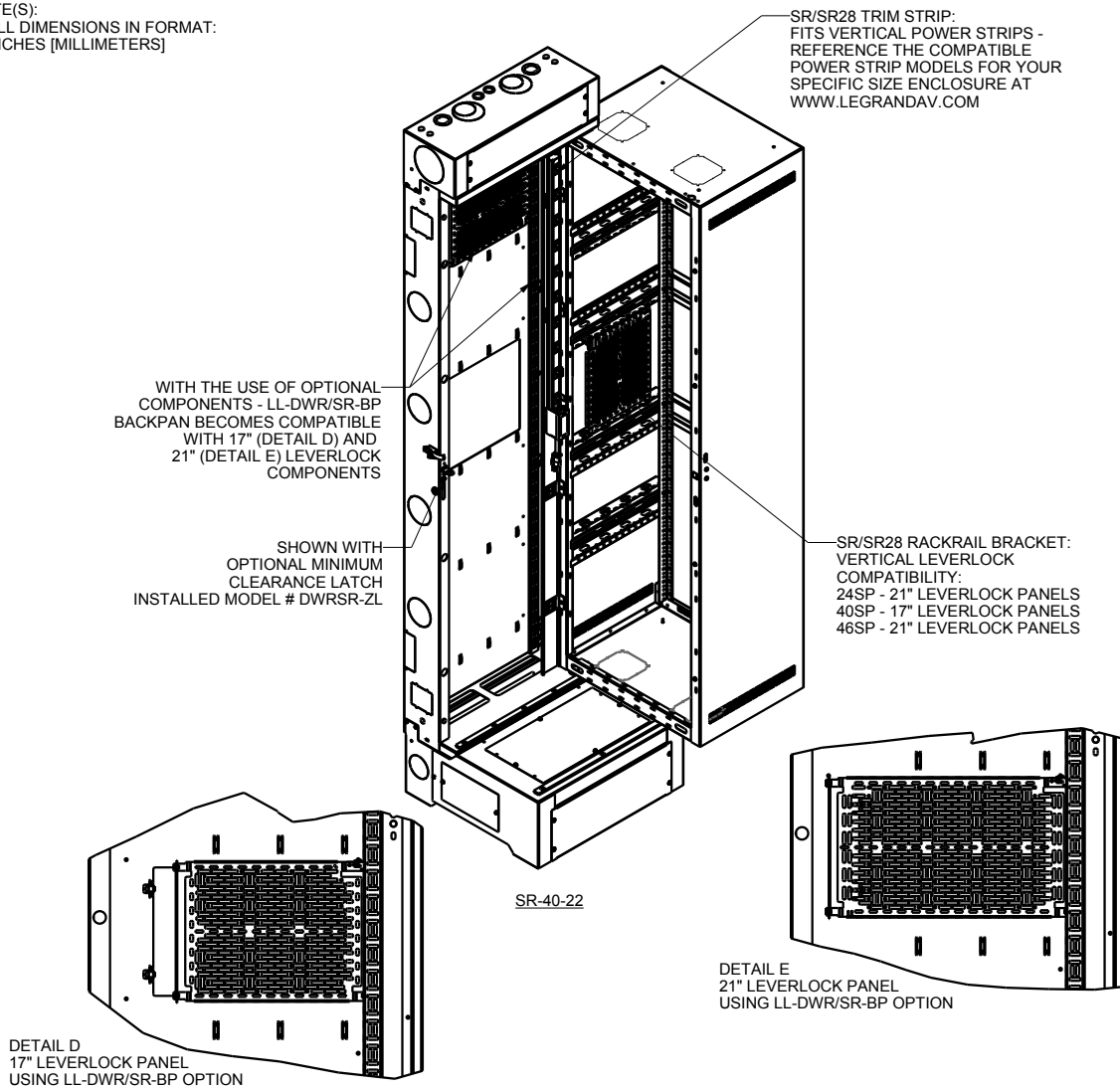


SR28-40-32

SR SERIES LARGE PIVOTING WALL RACK WITH FORWARD CAPABILITIES

BASIC DIMENSIONS

NOTE(S):
1) ALL DIMENSIONS IN FORMAT:
INCHES [MILLIMETERS]



LEGRAND | AV COMMERCIAL BRANDS
C2G | Chief | Da-Lite | Luxul | Middle Atlantic | Vaddio | Wiremold

WHAT GREAT SYSTEMS ARE BUILT ON™ | legrandav.com

USA 800.266.7225 av.middleatlantic.support@legrand.com CANADA 888.766.9770 av.middleatlantic.support@legrand.com

©2022 Legrand AV Inc. 210795 Rev B 12/21 Middle Atlantic is a registered trademark of Legrand AV Inc. All other brand names or marks are used for identification purposes and are trademarks of their respective owners. All patents are protected under existing designations. Other patents pending.