

# SANUS®



THANK YOU FOR CHOOSING **SANUS**  
THE #1 TV MOUNT BRAND IN THE US.

**VSF409/415** Instruction Manual

Scan for easy  
install video  
VSF409

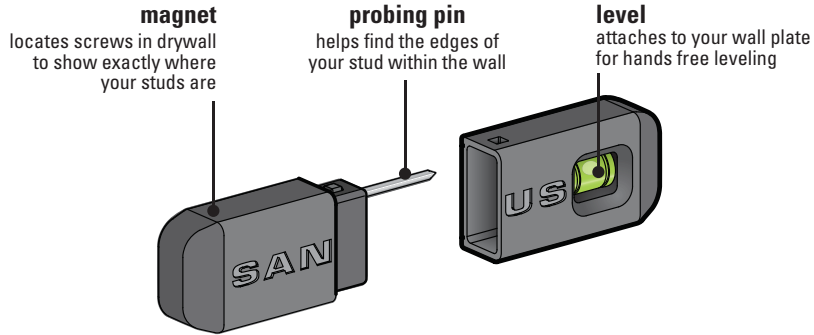


Scan for easy  
install video  
VSF415

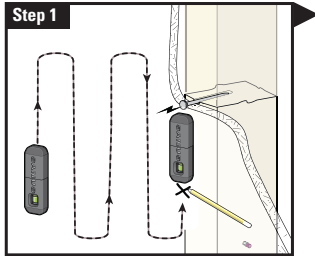


# SANUS MAGNETIC STUD FINDER

Designed to find your studs and make life easier – included in hardware kit.



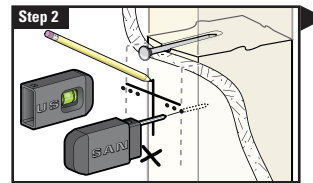
## TWO SIMPLE STEPS TO FINDING YOUR STUDS:



Holding it vertically, lightly move the SANUS Magnetic Stud Finder up and down while sliding across your wall. The magnet within will be attracted to the screws in the stud.

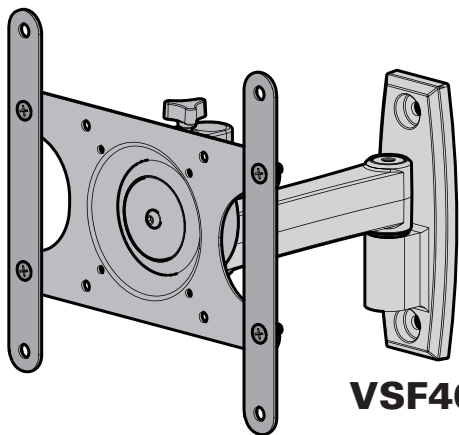
Once the magnet has landed on a screw, place a pencil mark on the wall directly below the magnet.

You can verify this is a stud by moving the Magnetic Stud Finder up or down to find a second or third screw within the wall.

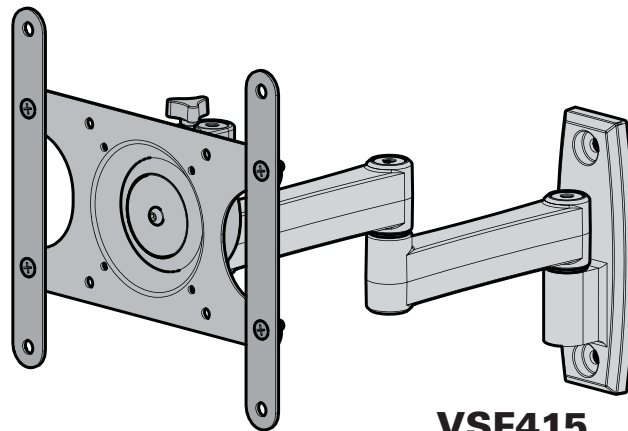


Pull apart the SANUS Magnetic Stud Finder to expose the probing pin within. Starting about  $\frac{1}{2}$  inch away from the first pencil mark insert the probing pin into the wall every  $\frac{1}{8}$  inch until it inserts completely into the wall. Once that happens, you know you've found one edge of your stud. Repeat this process till you have found the stud edges and center of the stud.

**⚠ WARNING:** This product contains a magnet. If an implanted medical device such as a pacemaker or implantable cardioverter defibrillator (ICD) is in use, magnetic fields may affect the operation of those devices, resulting in serious injury or death. If you have an implanted medical device, keep at least 13 cm (5in.) between your device and the magnet. Please consult with your physician or medical professional prior to using this product.



**VSF409**



**VSF415**

## **We'll Make It Stress-Free**

If you have any questions along the way, just give us a call.  
1-800-359-5520 (UK: 0800-056-2853) We're ready to help!

## **Lo haremos sin estrés**

Si tiene preguntas mientras realiza la instalación, llámenos.  
1-800-359-5520 (Reino Unido: 0800-056-2853) Estamos listos para ayudarlo.

# IMPORTANT SAFETY INSTRUCTIONS – SAVE THESE INSTRUCTIONS – PLEASE READ ENTIRE MANUAL PRIOR TO USE

Before getting started, let's make sure this mount is perfect for you!

Para Español ver página 26

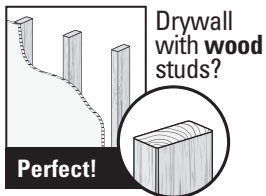
**1** Does your TV (including accessories) weigh *more* than 50 lbs. (22.7 kg)?



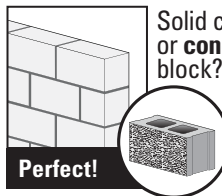
No — Perfect!

Yes — This mount is NOT compatible. MountFinder.Sanus.com or call 1-800-359-5520 (UK: 0800-056-2853) to find a compatible mount.

**2** What is your wall made of?



Drywall with wood studs?



Solid concrete or concrete block?



**3** Do you have all the tools needed?



Tape Measure



Pencil



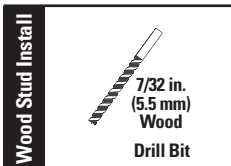
Screwdriver



Electric Drill



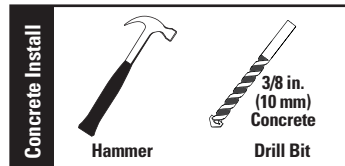
1/2 in. (13 mm) Socket Wrench



Wood Stud Install



7/32 in. (5.5 mm) Wood Drill Bit



Concrete Install



Hammer



3/8 in. (10 mm) Concrete Drill Bit

**4** Ready to begin?

Please read through these instructions completely to be sure you're comfortable with this easy install process. Also check your TV owner's manual to see if there are any special requirements for mounting your TV.

If you do not understand these instructions or have doubts about the safety of the installation, assembly or use of this product, contact Customer Service at 1-800-359-5520 (UK: 0800-056-2853).

**⚠ CAUTION:** Avoid potential personal injuries and property damage!

- This product includes directions and hardware for use with wood stud, solid concrete and concrete block walls – DO NOT install into drywall alone.
- The wall must be capable of supporting five times the weight of the TV and mount combined.
- Do not use this product for any purpose not explicitly specified by manufacturer.
- Manufacturer is not responsible for damage or injury caused by incorrect assembly or use.

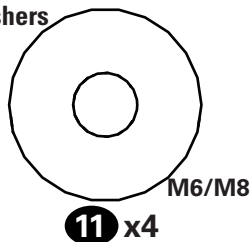
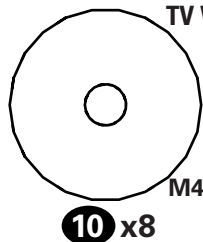
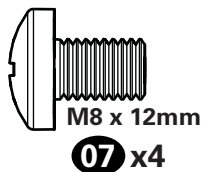
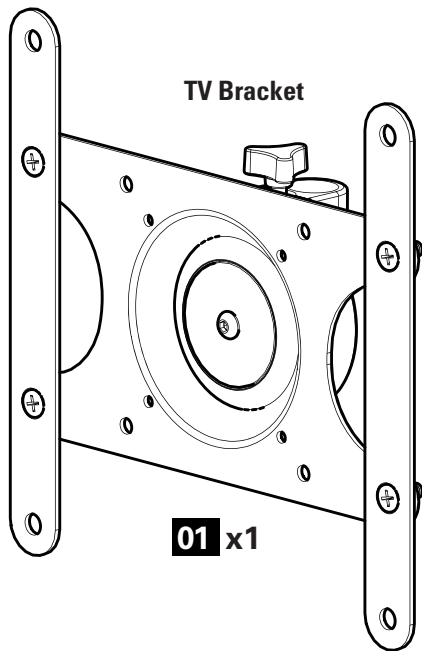
# STEP 1 Attach Bracket to TV

## Parts and Hardware for STEP 1

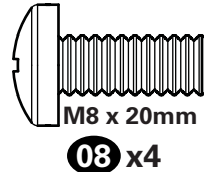
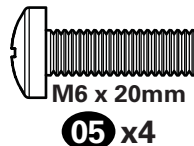
**⚠ WARNING:** This product contains small items that could be a choking hazard if swallowed.

Before starting assembly, verify all parts are included and undamaged. If any parts are missing or damaged, do not return the damaged item to your dealer; contact Customer Service. Never use damaged parts!

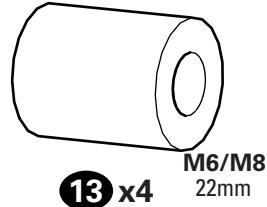
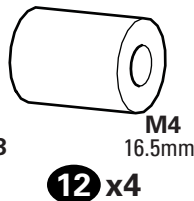
**NOTE:** Not all hardware included will be used.



### TV Screws

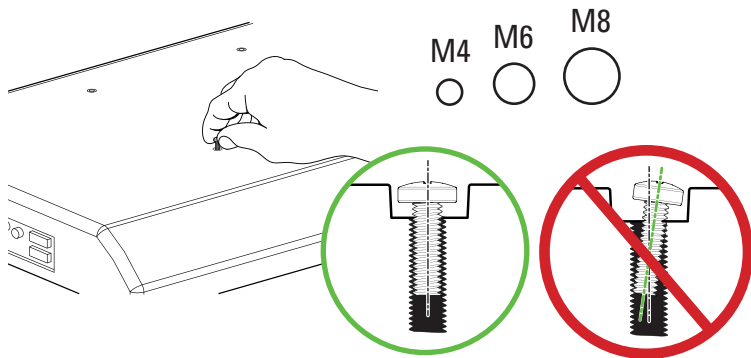


### TV Spacers



## 1.1 Select TV Screws

Hand thread screws into the threaded inserts on the back of your TV to determine which screw diameter (M4, M6, or M8) to use.

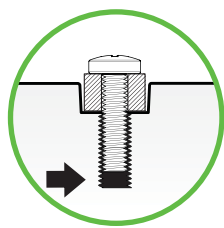


**⚠ CAUTION:** Verify adequate thread engagement of the screw/ spacer combination on your TV.

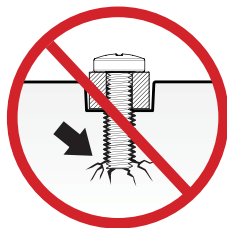
Too short will not hold the TV and too long will damage the TV.



Too Short



Correct



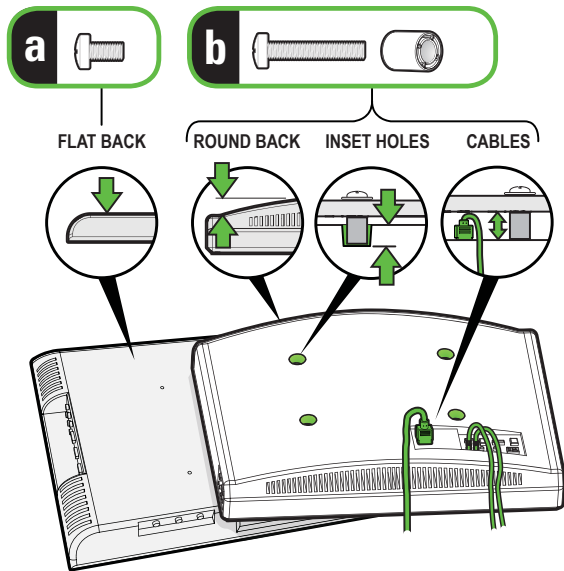
Too Long

## 1.2 Spacers

**a:** If your TV has a flat back AND you want your TV closer to the wall, use the shorter screws.

**b:** Spacers and longer screws are supplied to accommodate:

- Round (irregular) back TVs
- TVs with inset mounting holes
- Extra space needed for cables



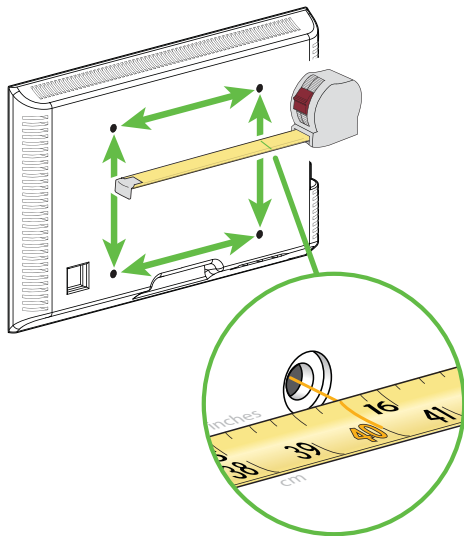
Standard configurations are shown. For special applications, or if you are uncertain about your hardware selection, contact Customer Service at 1-800-359-5520.

## 1.3 Measure Your TV Hole Pattern

Measure the width and height of your TV hole pattern in mm.

Record your measurements:

Width \_\_\_\_\_ mm x Height \_\_\_\_\_ mm



75 mm = 7.5 cm  $\approx$  3 in.  
100 mm = 10 cm  $\approx$  4 in.  
200 mm = 20 cm  $\approx$  7.87 in.

Inch dimensions approximate

**200mm x 200mm**

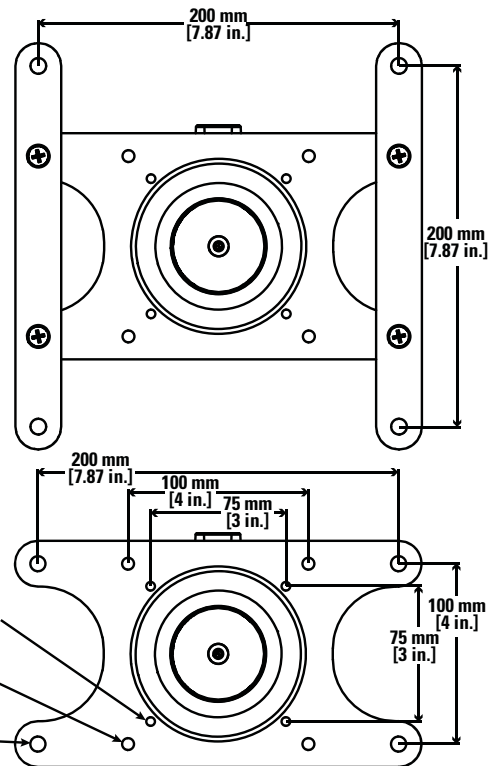
Go to PAGE 8

**200mm x 100mm**

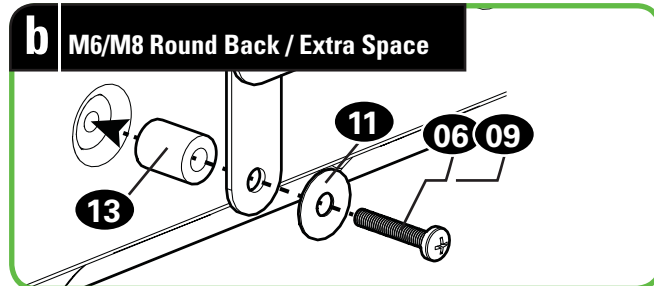
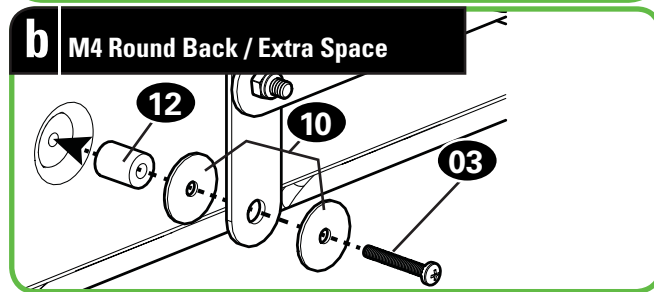
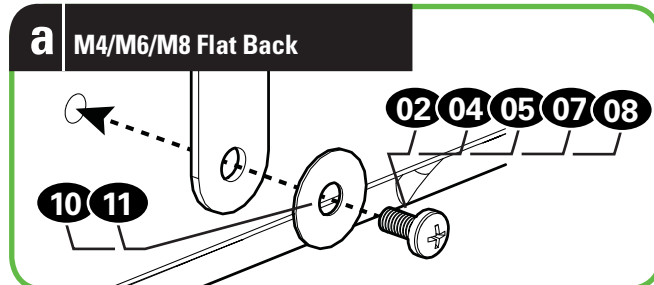
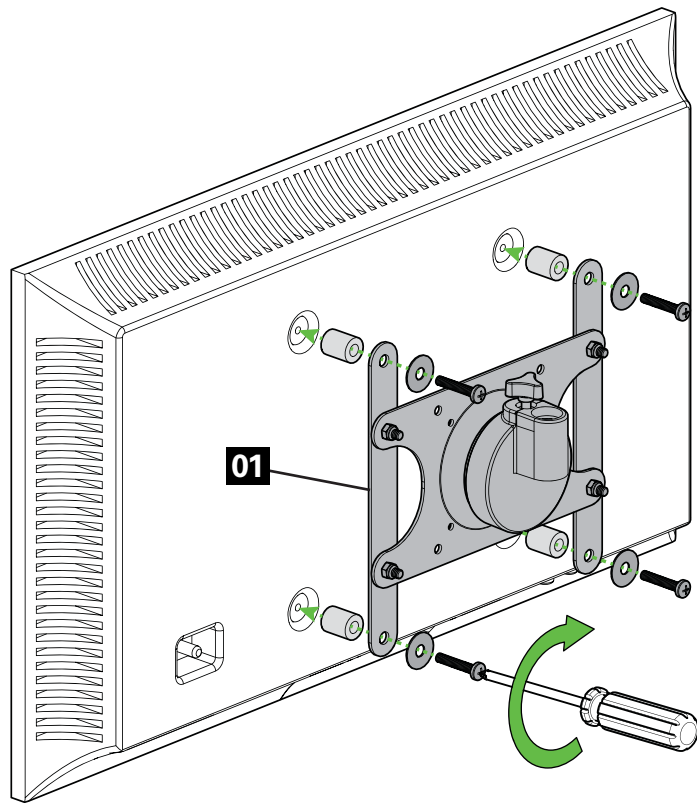
**100mm x 100mm**

**75mm x 75mm**

Go to PAGE 9



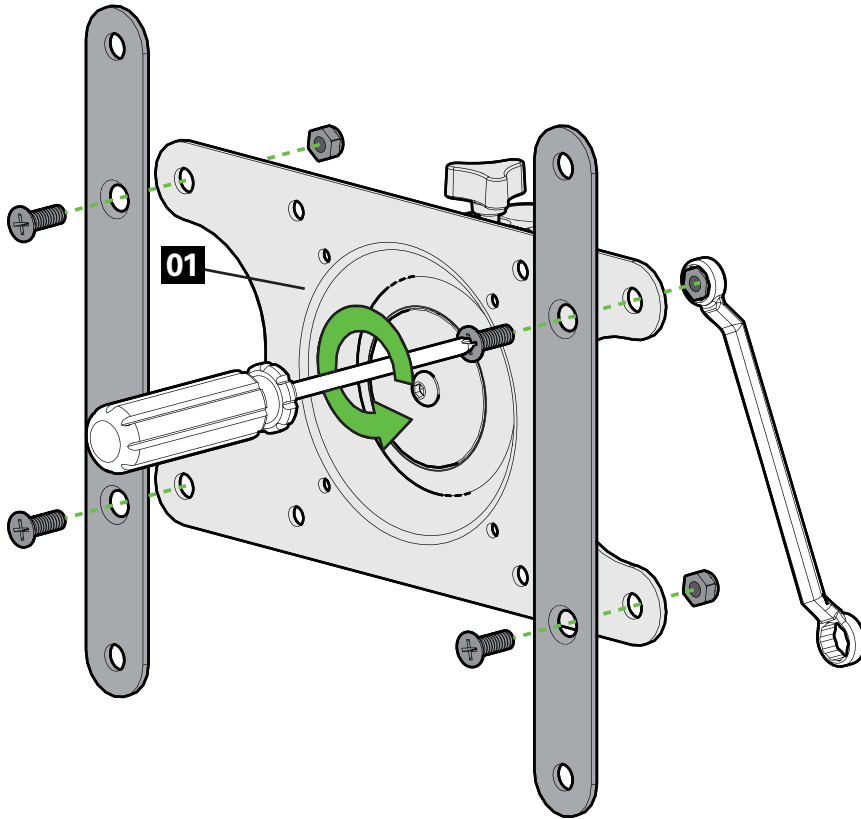
## 1.4 Attach TV Bracket with Extensions [200 x 200 mm ONLY]



When finished, go to PAGE 13



## 1.5 Remove Extensions [200 x 100 mm, 100 x 100 mm, and 75 mm x 75 mm]



If mounting to a TV with; 200 x 100 mm (7 7/8 x 4 in.), 100 x 100 mm (4 x 4 in.), or 75 x 75 mm (3 x 3 in.) hole patterns, remove the extension plates from the TV bracket **01** using a screwdriver and wrench.

**NOTE:** Extension nuts are poly-locks and may need a wrench to remove.

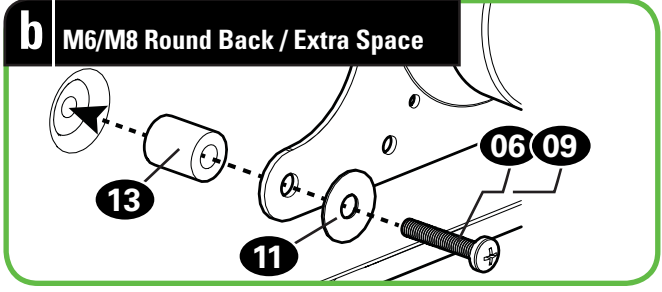
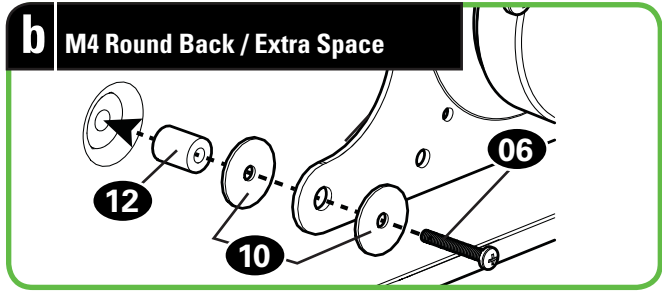
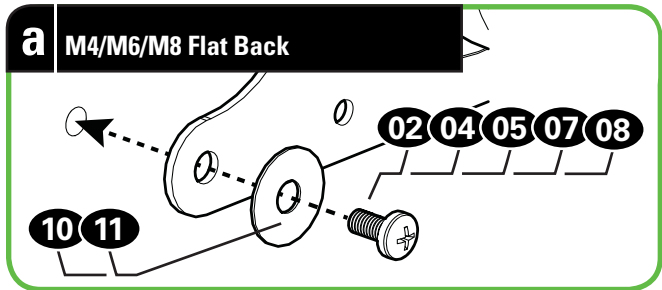
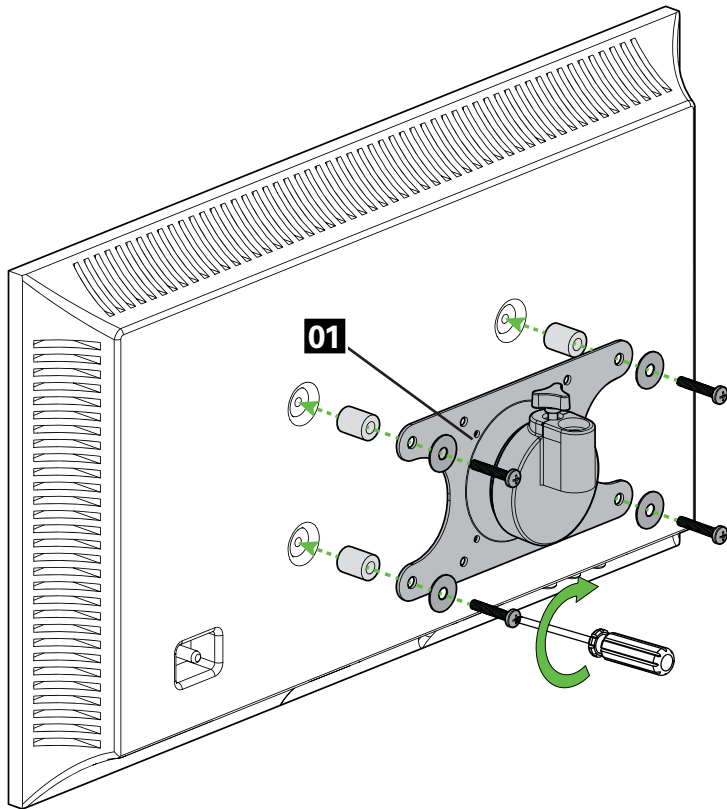
When finished,

**200mm x 100mm**  
Go to PAGE 10

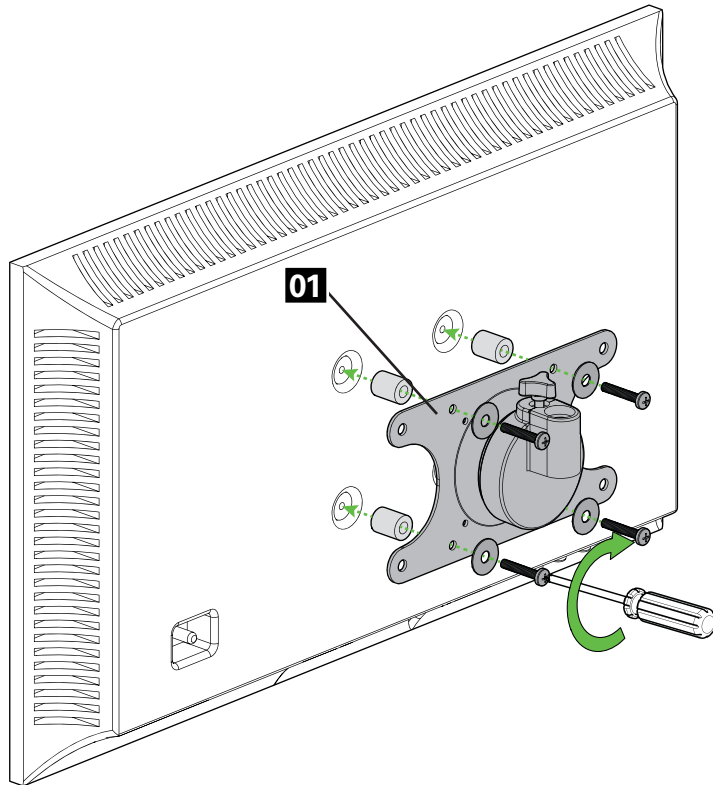
**100mm x 100mm**  
Go to PAGE 11

**75mm x 75mm**  
Go to PAGE 12

## 1.6 Attach TV Bracket [200 mm x 100 mm]

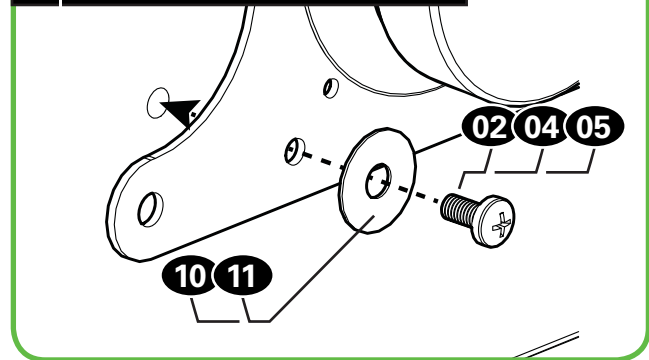


## 1.6 Attach TV Bracket [100 mm x 100 mm]

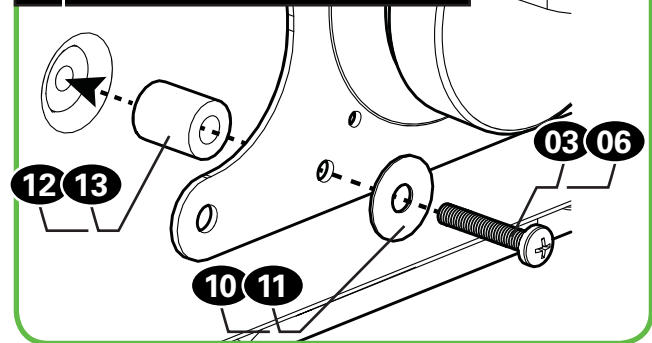


When finished, go to PAGE 13


### a M4/M6 Flat back

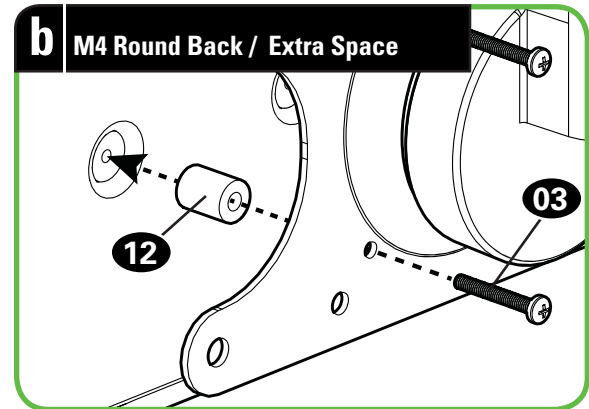
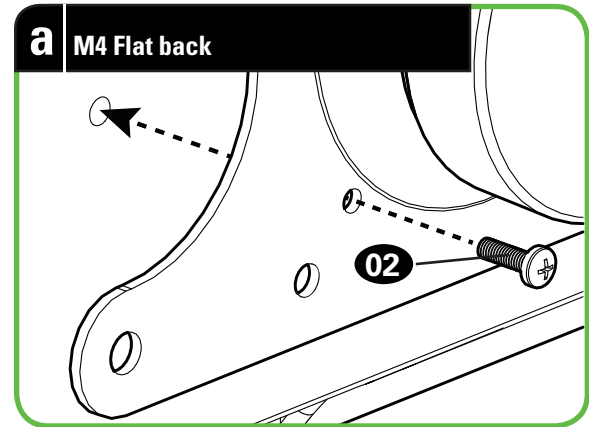
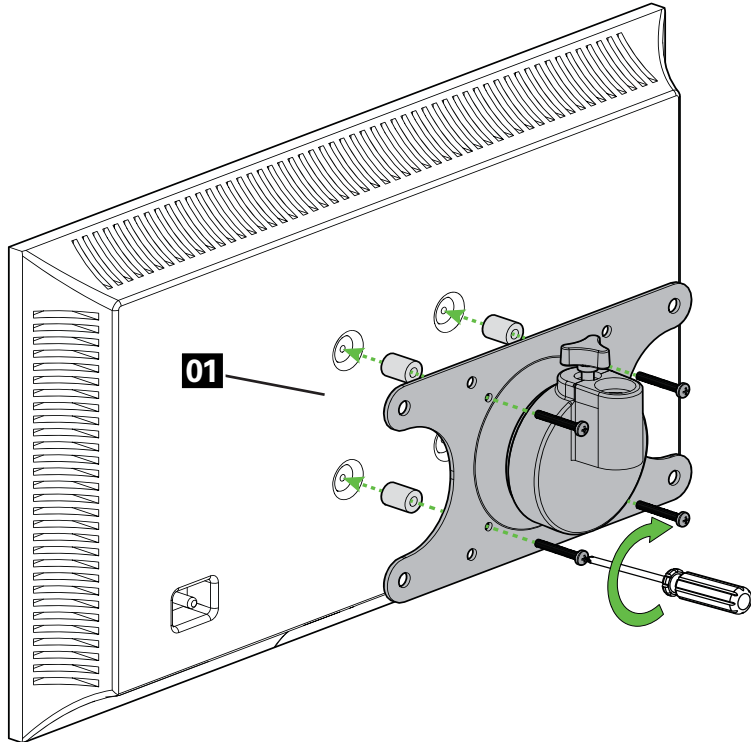


### b M4/M6 Round Back / Extra Space



## 1.6 Attach TV Bracket [75 mm x 75 mm]

 **NOTE:** If the hole pattern on your TV is 75 x 75 mm, washers will not be used. Only M4 screws **02** and **03** can be used.



When finished, go to PAGE 13

# STEP 2 Attach Wall Plate to Wall

For wood stud installations, follow STEP 2A on PAGE 14

For concrete installations, follow STEP 2B on PAGE 16

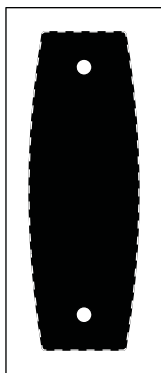
## Parts and Hardware for STEP 2

**⚠ WARNING:** This product contains small items that could be a choking hazard if swallowed. Before starting assembly, verify all parts are included and undamaged. If any parts are missing or damaged, do not return the damaged item to your dealer; contact Customer Service. Never use damaged parts!

\* **⚠ WARNING:** This product contains a magnet. If an implanted medical device such as a pacemaker or implantable cardioverter defibrillator (ICD) is in use, magnetic fields may affect the operation of those devices, resulting in serious injury or death. If you have an implanted medical device, keep at least 13 cm (5 in.) between your device and the magnet. Please consult with your physician or medical professional prior to using this product.

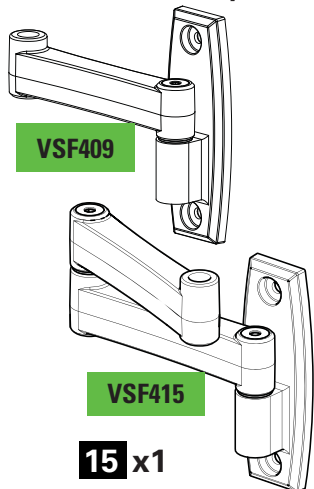
**NOTE:** Not all hardware included will be used.

Wall Plate  
Template



14 x1

Arm Assembly/Wall Plate



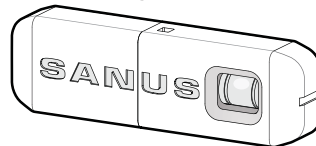
VSF409

VSF415

15 x1

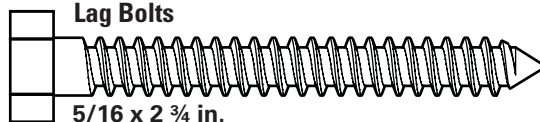
Sanus Magnetic Stud Finder\*

16 x1



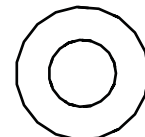
Lag Bolts

17 x2



5/16 x 2 3/4 in.

Lag Bolt Washers



18 x2

Covers



20 x2

### For concrete installations ONLY

**⚠ CAUTION:** Do not use in drywall or wood

Concrete Anchors

19 x2



UX10 x 60R

## STEP 2A

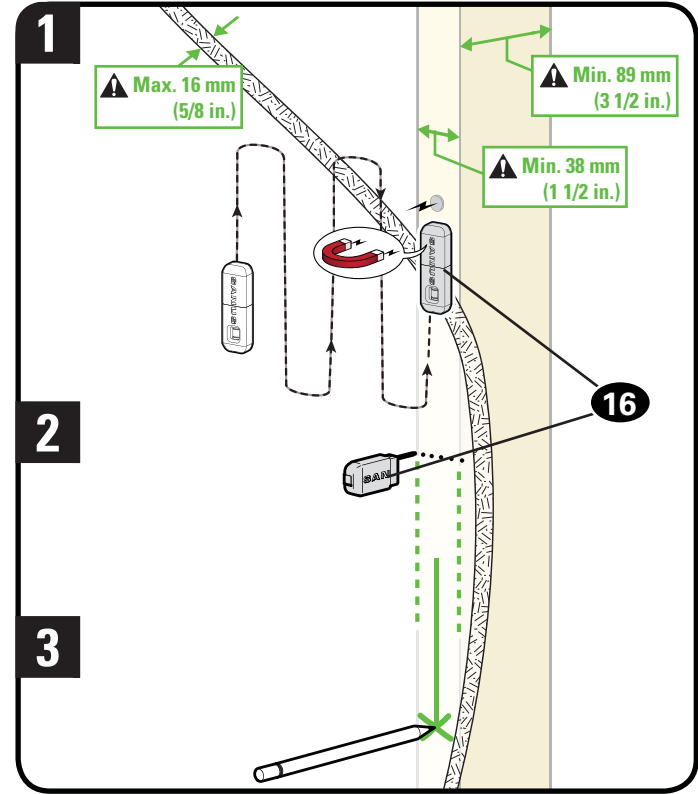


## Wood Stud Option

**▲ CAUTION:** Avoid potential personal injuries and property damage!


- Drywall covering the wall must not exceed 16 mm (5/8 in.)
- Minimum wood stud size: common 51 x 102 mm (2 x 4 in.) nominal 38 x 89 mm (1½ x 3½ in.)
- Stud center must be verified

1. Locate a nail/screw in the stud using the Sanus magnetic stud finder\* **16** provided.
2. Find the edges of the stud using the probe of the stud finder **16**.
3. Mark the center of the stud with pencil.




\* **▲ WARNING:** This product contains a magnet. If an implanted medical device such as a pacemaker or implantable cardioverter defibrillator (ICD) is in use, magnetic fields may affect the operation of those devices, resulting in serious injury or death. If you have an implanted medical device, keep at least 13 cm (5 in.) between your device and the magnet. Please consult with your physician or medical professional prior to using this product.

4. Place the wall plate template **14** at your desired height and position the slotted holes over your stud center line. Level the wall plate template **14** and tape in place.


 **NOTE:** For assistance in determining wall plate location, see HeightFinder at sanus.com.

 **IMPORTANT:** Be sure you mark and drill into the center of the stud.

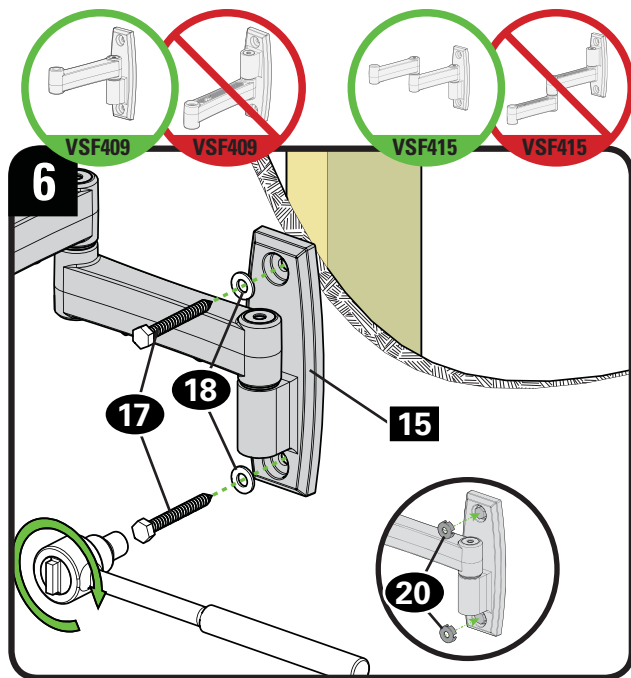
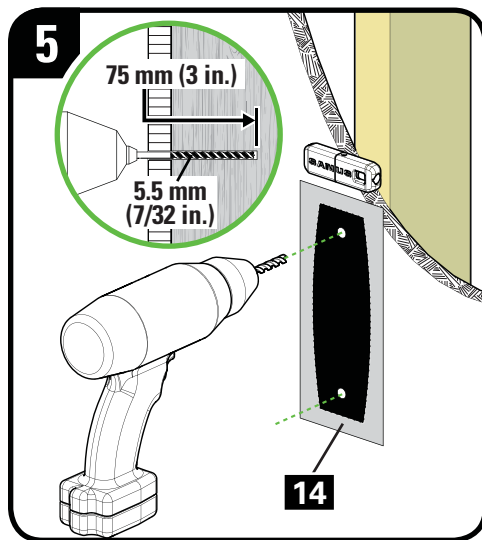
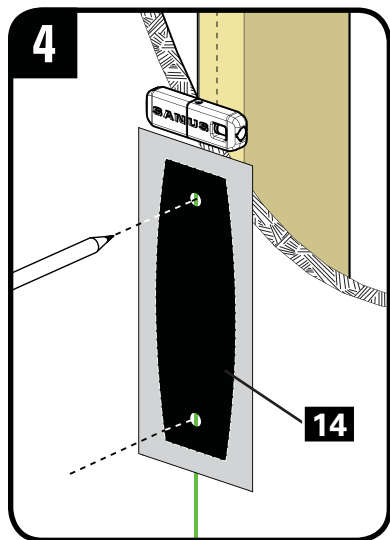
5. Drill the two pilot holes using a 5.5 mm (7/32 in.) diameter drill bit.

 **IMPORTANT:** Pilot holes must be drilled to a depth of 75 mm (3 in.).

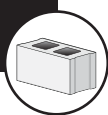
6. Remove the wall plate template **14**. Tighten lag bolts **17** only until the washers **18** are pulled firmly against the wall plate **15**.

 **CAUTION:** Improper use could reduce the holding power of the lag bolt. To avoid potential injuries or property damage Do not over-tighten the lag bolts **17**.

Fit lag bolt covers **20** over lag bolts **17**.



## STEP 2B




## Solid Concrete or Concrete Block Option

**⚠ CAUTION:** Avoid potential personal injuries and property damage!

- Mount the arm assembly/wall plate **15** directly onto the concrete surface
- Minimum solid concrete thickness: 203 mm (8 in.)
- Minimum concrete block size: 203 x 203 x 406 mm (8 x 8 x 16 in.)

1. Position the wall plate template **14** on the wall at your desired height. Level the wall plate template and mark the hole locations.

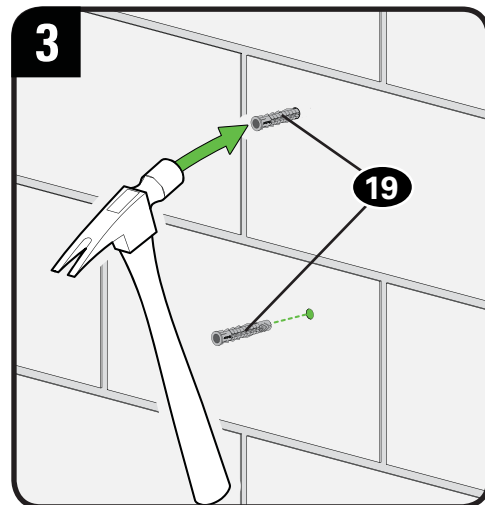
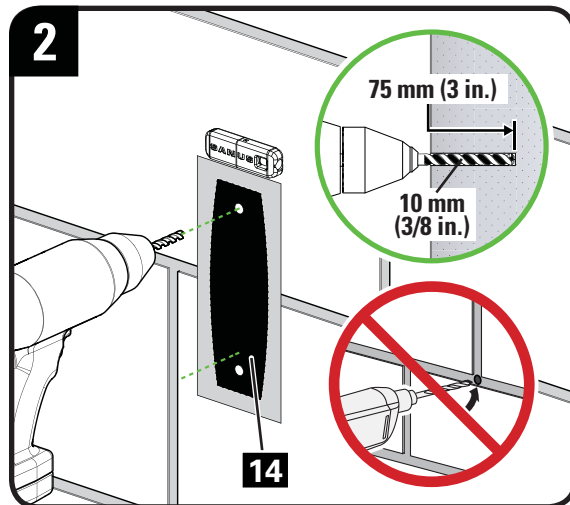
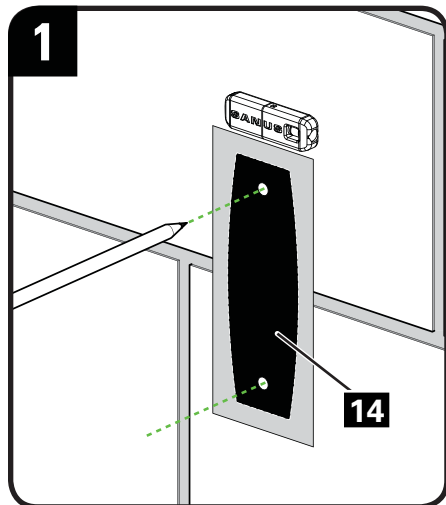
 **NOTE:** For assistance in determining wall plate location, see Height Finder at [sanus.com](http://sanus.com).

2. Drill two pilot holes using a 10 mm (3/8 in.) diameter drill bit.

**🟢 IMPORTANT:** Pilot holes must be drilled to a depth of 75 mm (3 in.). Never drill into the mortar between blocks.

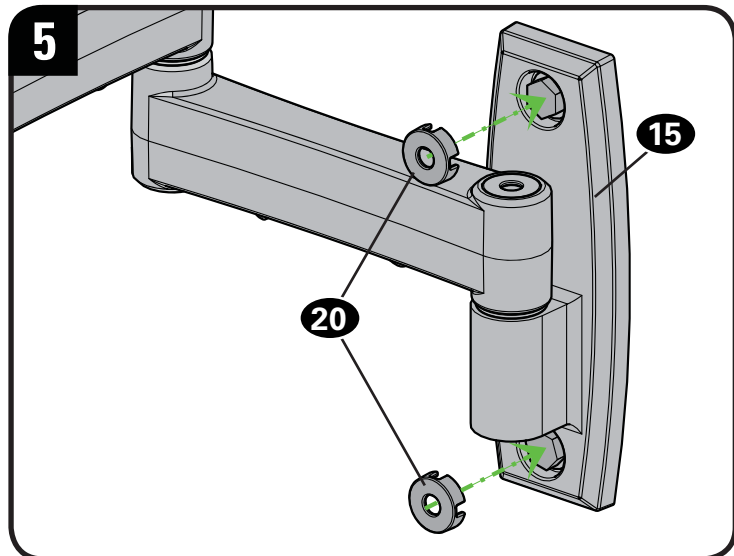
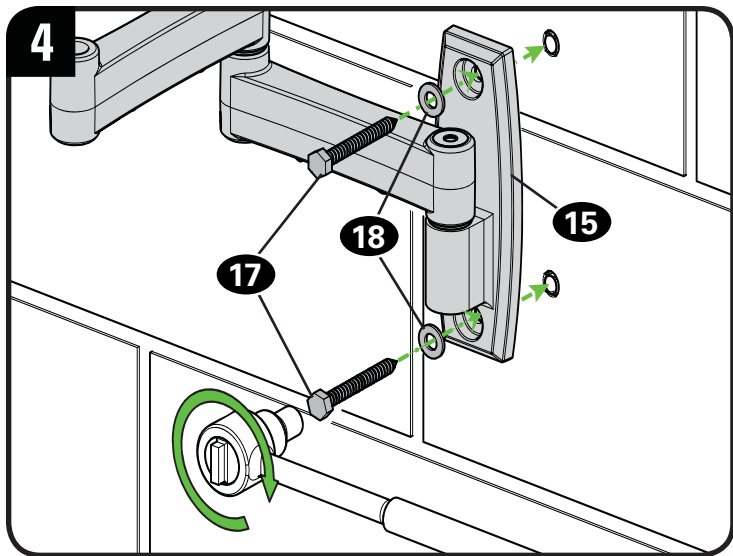
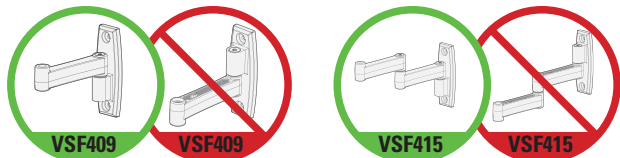
3. Remove the wall plate template **14** and insert two anchors **19**.

**⚠ CAUTION:** Be sure the anchors **19** are seated flush with the concrete surface.





- Remove the wall plate template **14**. Tighten lag bolts **17** only until the washers **18** are pulled firmly against the wall plate **15**.  
**⚠ CAUTION:** Improper use could reduce the holding power of the lag bolt. To avoid potential injuries or property damage Do not over-tighten the lag bolts **17**.
- Fit lag bolt covers **20** over lag bolts **17**.



# STEP 3 Hang TV Mount to Arm

## Parts and Hardware for STEP 3

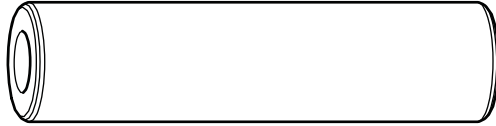
**⚠ WARNING:** This product contains small items that could be a choking hazard if swallowed. Before starting assembly, verify all parts are included and undamaged. If any parts are missing or damaged, do not return the damaged item to your dealer; contact Customer Service. Never use damaged parts!

Cover



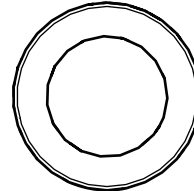
20 x2

Pivot Pin



21 x1

Large Washer



22 x1

Mounting Bolt Nut



23 x1

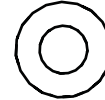
Mounting Bolt



1/4-20 x 3 1/4 in.

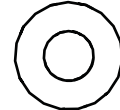
24 x1

Spacer



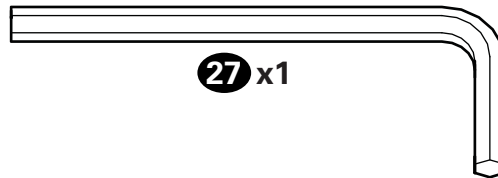
25 x1

Washer



26 x2

5/32 in. Hex Key



27 x1

# STEP 3 Hang TV Mount to Arm

1. Fit nut **23** and cover **20** into underside of mount arm **15**.
2. Place washer **22** and pivot pin **21** onto mount arm **15**.
3. Fit the bracket **01** onto pivot pin **21**. Slide washers **26** and spacer **25** onto mounting bolt **24** and fit bolt through mounting bracket **01** and pivot pin **21** until it meets nut **23**. Fit cover **20** over mounting bolt.

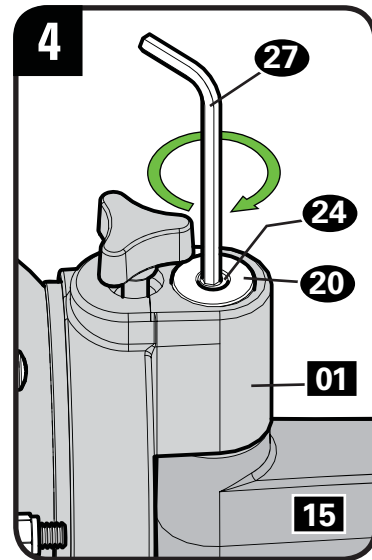
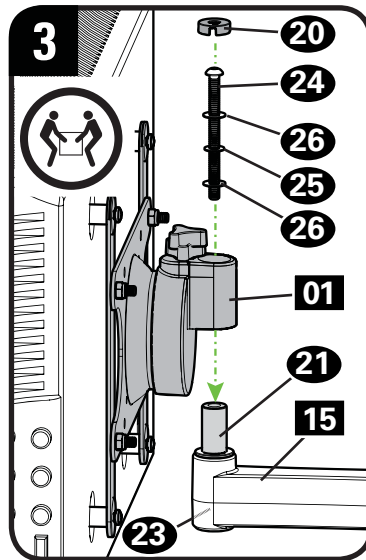
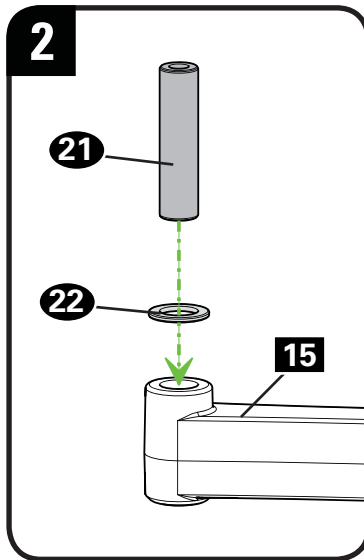
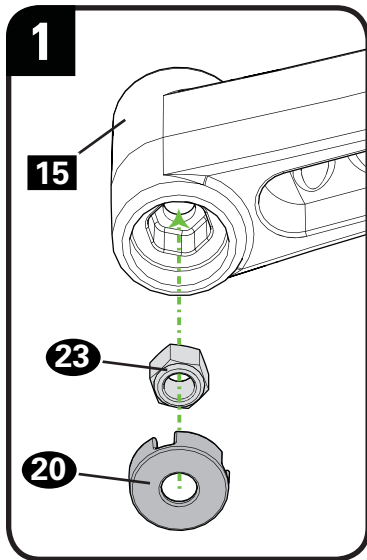


**HEAVY! You may need assistance with this step.**

4. Use hex key **27** to tighten mounting bolt **24** and secure mounting bracket to arm.



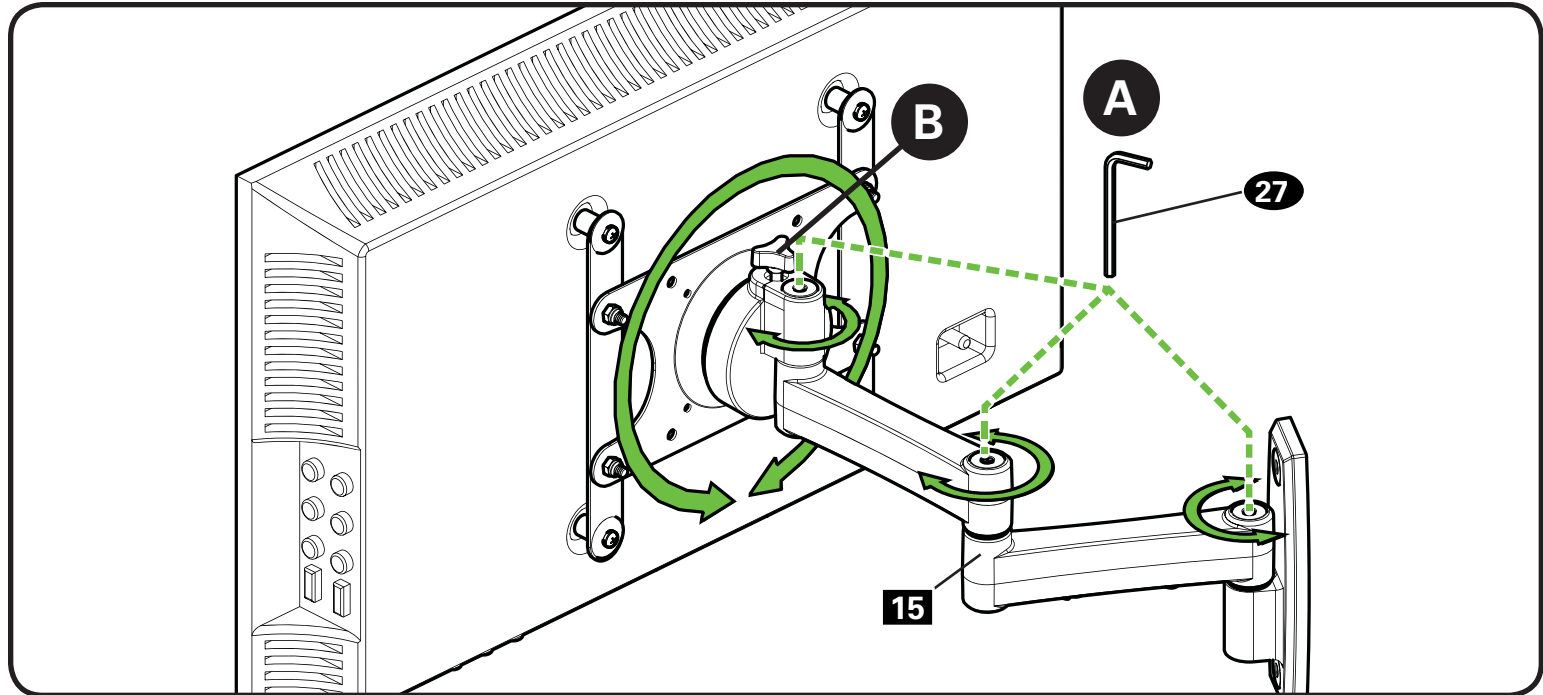
**NOTE:** You may need to hold the mounting nut **23** in place as you are tightening the bolt **24**.



# Adjustments

- A. Use hex key **27** to adjust arm extension tension.
- B. Adjust rotation/level tension.

 **NOTE:** VSF415 shown.

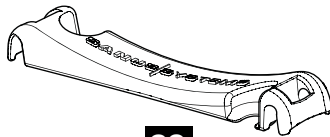


# Manage Cables

## Parts and Hardware for Manage Cables

**⚠ WARNING:** This product contains small items that could be a choking hazard if swallowed. Before starting assembly, verify all parts are included and undamaged. If any parts are missing or damaged, do not return the damaged item to your dealer; contact Customer Service. Never use damaged parts!

Cable Plate

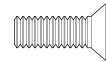


28

VSF409 x1

VSF415 x2

Cable Plate Screws



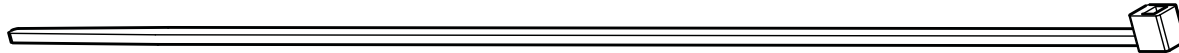
8-32 x 1/2 in.

29

VSF409 x2

VSF415 x4

Cable Ties



30

VSF409 x2

VSF415 x4


# Manage Cables

## Option A:

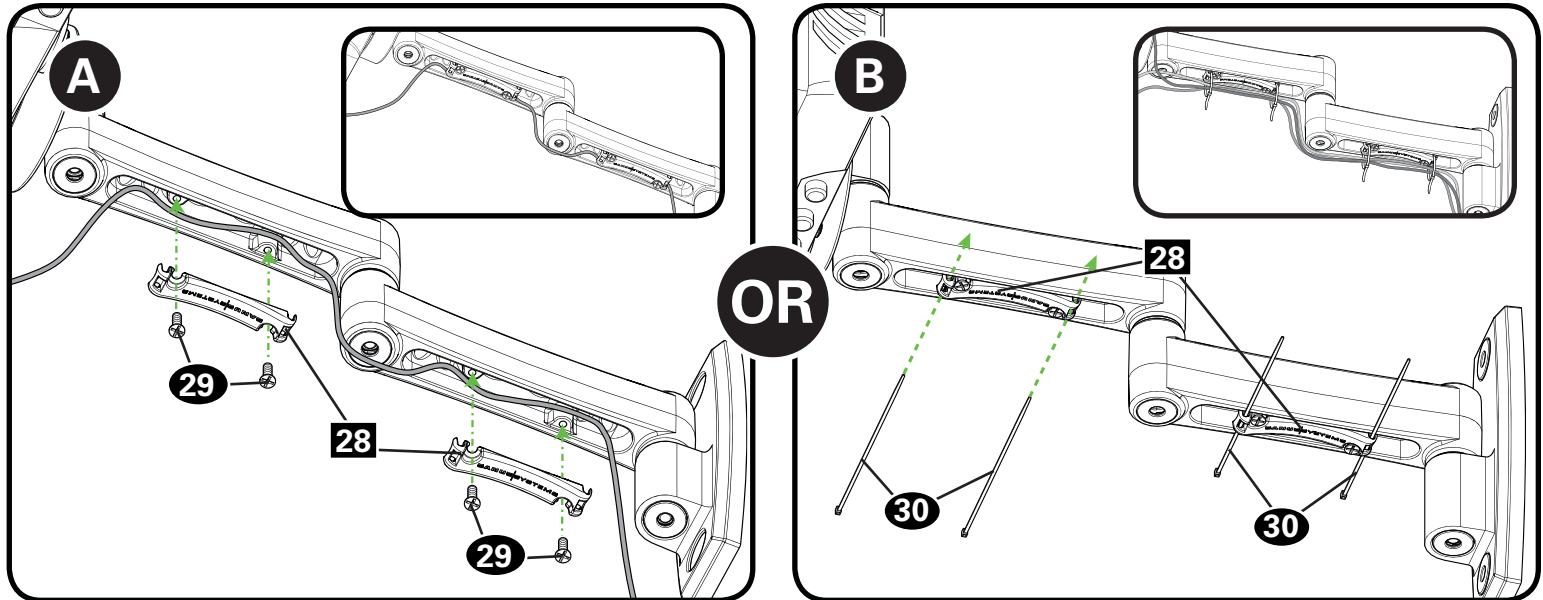
Thread cable through channels the secure with plates **28** and plate screws **29**.

## Option B:

Install plates **28** with plate screws **29**. Thread cable ties **30** through end holes in plates **28**. Arrange cables then secure them with the cable ties **30**.

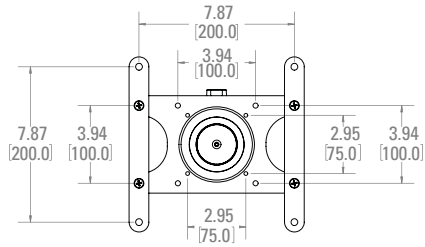
 **NOTE:** Pull the arm to its full extension before routing the cables through the channels, then loosely route the cables. This will give the cables enough slack to prevent excess tension when adjusting the position of the arm.

 **NOTE:** VSF415 shown.

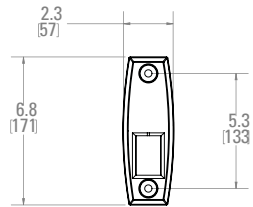


# Dimensions - VSF409 in. [mm]

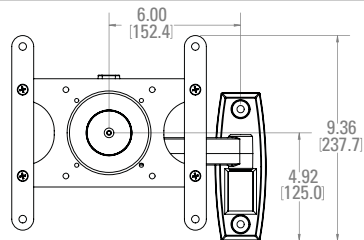
## TV INTERFACE



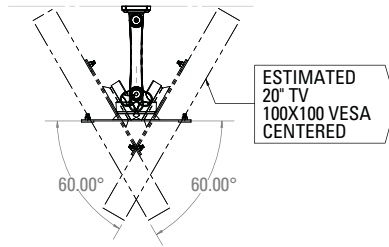
## WALL PLATE



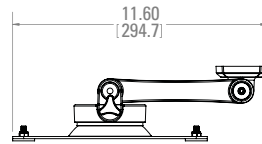
## FULLY ASSEMBLED MOUNT



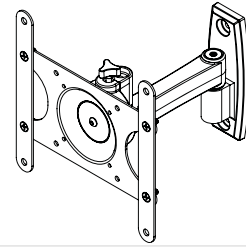
## TOP VIEW - EXTENDED



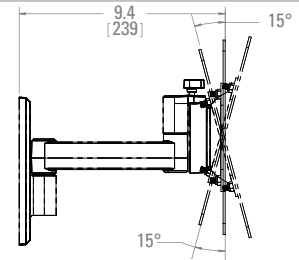
## TOP VIEW - RETRACTED



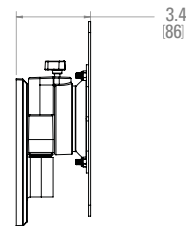
## 3-D



## SIDE VIEW - EXTENDED

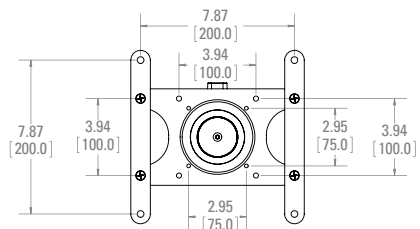


## SIDE VIEW - RETRACTED

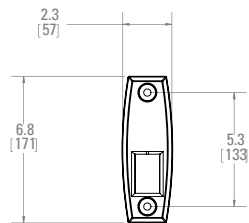


# Dimensions - VSF415 in. [mm]

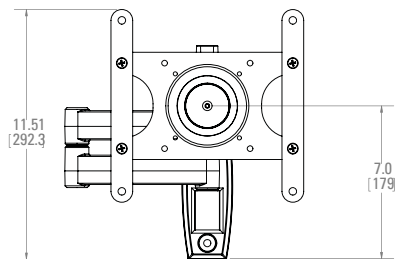
## TV INTERFACE



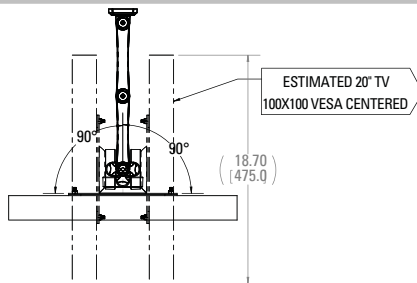
## WALL PLATE



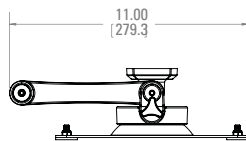
## FULLY ASSEMBLED MOUNT



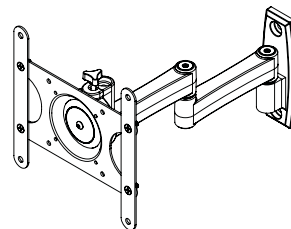
## TOP VIEW - EXTENDED



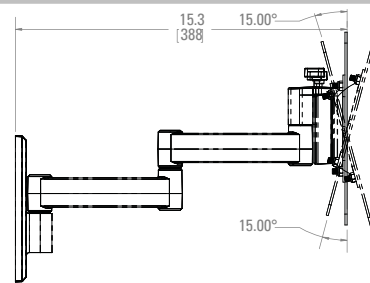
## TOP VIEW - RETRACTED



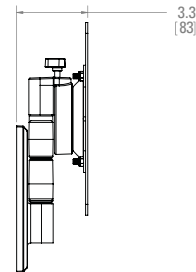
## 3-D



## SIDE VIEW - EXTENDED



## SIDE VIEW - RETRACTED

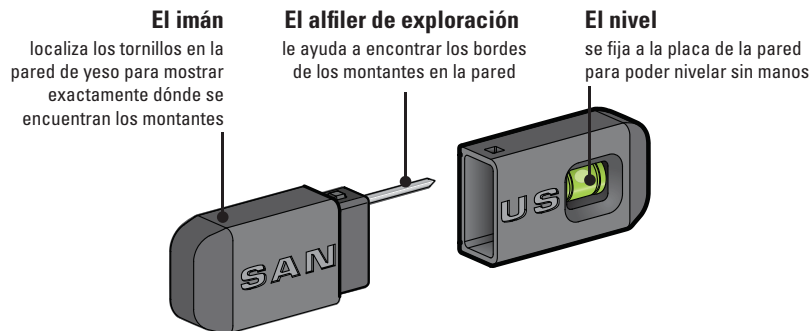




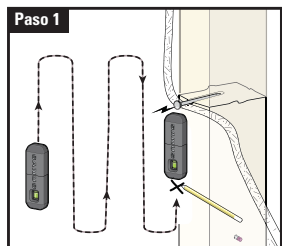


## LOCALIZADOR DE MONTANTES MAGNÉTICO **SANUS**

Diseñado para encontrar sus montantes y hacer más fácil su día a día (incluido en el kit de materiales).



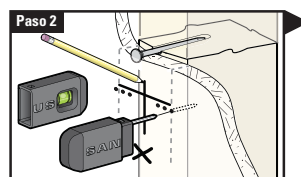
### DOS SENCILLOS PASOS PARA LOCALIZAR SUS MONTANTES:



**Paso 1**  
Sujetándolo en posición vertical, mueva ligeramente el Localizador de Montantes Magnético SANUS hacia arriba y hacia abajo deslizándolo por la superficie de la pared. El imán integrado será atraído por los tornillos del montante.

Cuando el imán haya localizado un tornillo, trace una marca a lápiz en la pared justo debajo del imán.

Puede comprobar que se trata de un montante moviendo el Localizador de Montantes Magnético hacia arriba o hacia abajo para encontrar un segundo o un tercer tornillo en la pared.



**Paso 2**  
Separe el Localizador de Montantes Magnético SANUS para acceder al alfiler de exploración integrado. Comenzando a 1,2 cm (½ pulgada) de distancia desde la marca a lápiz, inserte progresivamente el alfiler de exploración en la pared un total de 0,3 cm (1/8 pulgada) cada vez hasta que quede completamente insertado en la pared. Cuando esto ocurra, sabrá que ha encontrado uno de los bordes del montante. Repita este proceso hasta que haya encontrado los bordes y el centro del montante.

**⚠ ADVERTENCIA:** Este producto contiene un imán. Si utiliza un dispositivo médico implantado como un marcapasos o un desfibrilador automático implantable (DAI), los campos magnéticos pueden afectar el funcionamiento de esos dispositivos y causar heridas de gravedad o la muerte. Si tiene un dispositivo médico implantado, mantenga una distancia de al menos 13 cm (5 pulgadas) entre su dispositivo y el imán. Consulte a su médico antes de utilizar este producto.

**Antes de empezar, asegurémonos de que este soporte es perfecto para usted.**

**1** ¿Su televisor pesa más de 22,7 kg (50 lb), incluidos los accesorios?

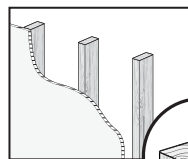


No — ¡Perfecto!

Sí — Este soporte NO es compatible. Visite [MountFinder.Sanus.com](http://MountFinder.Sanus.com) o llame al 1-800-359-5520 (Reino Unido: 0800-056-2853) para encontrar un soporte compatible.

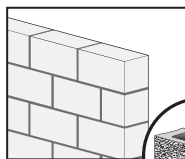
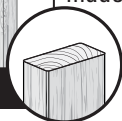
**2** ¿De qué está hecha su pared?

**⚠ PRECAUCIÓN:**  
**NO lo instale en tabiques únicamente de yeso**



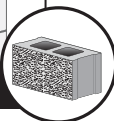
¿Tabiques de yeso con montantes de madera?

¡Perfecto!



¿Hormigón sólido o bloques de cemento?

¡Perfecto!



¿No está seguro?

**Llame al 1-800-359-5520  
(Reino Unido: 0800-056-2853)**

**3** ¿Tiene todas las herramientas necesarias?



Cinta métrica



Lápiz



Destornillador



Taladro eléctrico



13 mm (1/2")

Llave de tubo

**Wood Stud Install**



5,5 mm (7/32")  
Madera  
Broca

**Concrete Install**



10 mm (3/8")  
Hormigón  
Broca



Martillo

**4** ¿Listo para comenzar?

Lea estas instrucciones en su totalidad para estar seguro de sentirse cómodo con este fácil proceso de instalación. Consulte también el manual del usuario de su televisor para ver si existe algún requisito especial para instalar su televisor en la pared. Si no entiende las instrucciones o si tiene dudas acerca de la seguridad de la instalación, del ensamblado o del uso del producto, póngase en contacto con el servicio de atención al cliente al 1-800-359-5520 (Reino Unido: 0800-056-2853).

**⚠ PRECAUCIÓN:** Evite posibles lesiones personales y daños materiales.

- Este producto incluye instrucciones y elementos de sujeción para su instalación en paredes con montantes de madera, en superficies de hormigón y sobre bloques de cemento. NO lo instale en tabiques únicamente de yeso.
- La pared debe soportar cinco veces el peso del televisor y del soporte juntos.
- No utilice este producto para ningún otro propósito que no sea el explícitamente especificado por el fabricante.
- El fabricante no se responsabiliza por ningún daño o lesión resultante del montaje incorrecto o de uso indebido.

## PASO 1 Coloque el soporte en el televisor

Ver PÁGINA 5

### Piezas y elementos de sujeción para el PASO 1

**⚠ ADVERTENCIA:** Este producto contiene piezas pequeñas que podrían causar asfixia si fuesen tragadas. Antes de comenzar a montar la unidad, verifique que todas las piezas estén incluidas y en buen estado. En caso de que falten piezas o alguna esté dañada, no devuelva el elemento defectuoso al distribuidor. Póngase en contacto con el servicio de atención al cliente. Nunca utilice piezas en mal estado.

**📄 NOTA:** No se utilizarán todos los elementos de sujeción incluidos.

### 1,1 Seleccione los tornillos del televisor

Enrosque manualmente los tornillos en los orificios roscados de la parte posterior del televisor para determinar el diámetro correcto de los tornillos (M4, M6 o M8) que se deben utilizar

**⚠ PRECAUCIÓN:** Verifique que la combinación de tornillo/espaciador es correcta en el televisor.

Si el tornillo es demasiado corto no sujetará el televisor y si es demasiado largo dañará el televisor.

Se ilustran las configuraciones estándar. En caso de aplicaciones especiales, comuníquese con el Servicio de Atención al Cliente.

### 1,2 Espaciadores

El tipo de televisor le ayudará a determinar la configuración de elementos de sujeción que debe utilizar. Compruebe la configuración de elementos de sujeción recomendada para su tipo de televisor en la página siguiente.

- A. Opción de instalación sin espaciadores (televisores con parte posterior plana).
- B. Opción de instalación con espaciadores (televisores con parte posterior obstruida u orificios de montaje empotrados).

### 1,3 Mida el patrón de orificios del televisor

### 1,4 Coloque el soporte del televisor las extensiones (200 x 200 mm SÓLO)

Coloque el soporte del televisor **01** sobre el patrón de orificios de su televisor e instálelo utilizando la combinación de tornillos, arandelas y espaciadores (si son necesarios) que ha seleccionado para su televisor.

### 1,5 Retirar las extensiones - 200 x 100 mm, 100 x 100 mm y 75 x 75 mm

Si va a instalar en un televisor con un patrón de orificios de 200 x 100 mm (7 7/8 x 4 pulgadas), de 100 x 100 mm (4 x 4 pulgadas) o de 75 x 75 mm (3 x 3 pulgadas), retire las placas de extensión de la placa de sujeción del soporte del televisor 01 utilizando un destornillador y una llave inglesa.

**NOTA:** Las tuercas de extensión son Polylock y para retirarlas se necesita una llave inglesa.

### 1,6 Coloque el soporte del televisor - 200 x 100 mm, 100 x 100 mm, and 75 mm x 75 mm

Coloque el soporte del televisor **01** sobre el patrón de orificios de su televisor e instálelo utilizando la combinación de tornillos, arandelas y espaciadores (si son necesarios) que ha seleccionado para su televisor.

## PASO 2 Coloque la placa de pared en la pared Ver PÁGINA 13

Para instalaciones en montante de madera, siga el PASO 2A de la PÁGINA 14

Para instalaciones en hormigón, siga el PASO 2B de la PÁGINA 16

### Piezas y elementos de sujeción para el PASO 2

**⚠ ADVERTENCIA:** Este producto contiene piezas pequeñas que podrían causar asfixia si fuesen tragadas. Antes de comenzar a montar la unidad, verifique que todas las piezas estén incluidas y en buen estado. En caso de que falten piezas o alguna esté dañada, no devuelva el elemento defectuoso al distribuidor. Póngase en contacto con el servicio de atención al cliente. Nunca utilice piezas en mal estado.

**NOTA:** No se utilizarán todos los elementos de sujeción incluidos.

SOLO para instalaciones en hormigón

**⚠ PRECAUCIÓN:** No usar en placas de yeso o montantes de madera



## PASO 2A Opción de montante de madera

**⚠ PRECAUCIÓN:** Evite posibles lesiones físicas y daños materiales.

- La mampostería que cubre la pared no debe superar los 16 mm (5/8")
- Tamaño mínimo del montante de madera: común 51 x 102 mm (2" x 4") nominal 38 x 89 mm (1 1/2" x 3 1/2")
- Debe verificarse el centro del montante

1. Localice un clavo/tornillo del montante utilizando el localizador de montantes magnético de Sanus **16** suministrado.
2. Localice los bordes del montante utilizando la sonda del localizador de montantes **16**.
3. Marque el centro del montante con un lápiz.
4. Coloque la plantilla de la placa de pared **14** a la altura que desee y posicione los orificios perforados sobre la línea central del montante. Nivele la plantilla de la placa de pared **14** y péguela con cinta adhesiva en su posición.

 **NOTA:** Si necesita ayuda para determinar la posición de la placa de pared, consulte Height Finder en sanus.com.

**!** **IMPORTANTE:** Asegúrese de hacer las marcas y taladrar en el centro del montante.

\* **▲ ADVERTENCIA:** Este producto contiene un imán. Si está utilizando un dispositivo médico implantado como un marcapasos o un desfibrilador cardioversor implantable (DCI), los campos magnéticos pueden afectar al funcionamiento de esos dispositivos y producir lesiones graves o la muerte. Si tiene un dispositivo médico implantado, mantenga una distancia mínima de 13 cm (5") entre su dispositivo y el imán. Consulte con un médico o un profesional sanitario antes de utilizar este producto.

5. Taladre los dos orificios guía utilizando una broca de 5,5 mm (7/32") de diámetro.

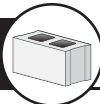
**!** **IMPORTANTE:** Los orificios guía deben taladrarse hasta una profundidad de 75 mm (3").

6. Retire la plantilla de la placa de pared **14**. Apriete los pernos tirafondo **17** solo hasta **14** las arandelas **18** queden firmemente sujetas contra la placa de pared **15**.

**▲ PRECAUCIÓN:** El uso incorrecto podría reducir la capacidad de sujeción del perno tirafondo. Para evitar posibles lesiones o daños materiales, no apriete excesivamente los pernos tirafondo **17**.

Coloque las cubiertas **20** sobre los pernos tirafondo **17**.


## PASO 2B



## Opción de hormigón macizo o bloque de hormigón

**▲ PRECAUCIÓN:** Evite posibles lesiones personales y daños materiales.

- Monte el conjunto de brazo/placa de pared **15** directamente sobre la superficie de hormigón
- Grosor mínimo del hormigón macizo: 203 mm (8")
- Tamaño mínimo del bloque de hormigón: 203 x 203 x 406 mm (8 x 8 x 16")

- Coloque la plantilla de la placa de pared **14** sobre la pared a la altura deseada. Nivele la plantilla de la placa de pared y marque la posición de los orificios.  
 **NOTA:** Si necesita ayuda para determinar la posición de la placa de pared, consulte Height Finder en [sanus.com](http://sanus.com).
- Taladre los dos orificios guía utilizando una broca de 10 mm (3/8") de diámetro.  
**! IMPORTANTE:** Los orificios guía deben taladrarse hasta una profundidad de 75 mm (3"). Nunca taladre sobre el cemento entre los bloques.
- Retire la plantilla de la placa de pared **14** e inserte dos tacos **19**.  
**! PRECAUCIÓN:** Asegúrese de que los tacos **19** estén asentados al mismo nivel de la superficie de hormigón.
- Apriete los pernos tirafondo **17** solo hasta que las arandelas **18** queden firmemente sujetas contra la placa de pared **15**.  
**! PRECAUCIÓN:** El uso incorrecto podría reducir la capacidad de sujeción del perno tirafondo. Para evitar posibles lesiones o daños materiales, no apriete excesivamente los pernos tirafondo **17**.
- Coloque las cubiertas **20** sobre los pernos tirafondo **17**.

## PASO 3 Cuelgue el soporte de televisor en el brazo

Ver PÁGINA 18

### Piezas y elementos de sujeción para el PASO 3

**! ADVERTENCIA:** Este producto contiene piezas pequeñas que podrían causar asfixia si fuesen tragadas. Antes de comenzar a montar la unidad, verifique que todas las piezas estén incluidas y en buen estado. En caso de que falten piezas o alguna esté dañada, no devuelva el elemento defectuoso al distribuidor. Póngase en contacto con el servicio de atención al cliente. Nunca utilice piezas en mal estado.

- Coloque la tuerca **23** y la cubierta **20** en la parte inferior del brazo de montaje **15**.
- Coloque la arandela **22** y la clavija pivotante **21** sobre el brazo de montaje **15**.
- Ajuste el soporte **01** sobre la clavija pivotante **21**. Deslice las arandelas **26** y el espaciador **25** sobre el perno de montaje **24** y pase el perno a través del soporte de montaje **01** y la clavija pivotante **21** hasta que se encuentre con la tuerca **23**. Coloque la

cubierta **20** sobre el perno de montaje.

**▲ PRECAUCIÓN:** Necesitará ayuda para realizar esta operación.

- Utilice la llave hexagonal **27** para apretar el perno de montaje **24** y fije el soporte de montaje al brazo.

## Ajustes

Ver PÁGINA 20

**A:** Utilice la llave hexagonal **27** para ajustar la tensión de extensión del brazo.

**B:** Ajuste la tensión del giro a la izquierda/derecha.

 **NOTA:** Se muestra el VSF415.

## Organización de cables

Ver PÁGINA 21

### Piezas y elementos de sujeción para el PASO 3

**▲ ADVERTENCIA:** Este producto contiene piezas pequeñas que podrían causar asfixia si fuesen tragadas.

Antes de comenzar a montar la unidad, verifique que todas las piezas estén incluidas y en buen estado.

En caso de que falten piezas o alguna esté dañada, no devuelva el elemento defectuoso al distribuidor.

Póngase en contacto con el servicio de atención al cliente. Nunca utilice piezas en mal estado.


#### Opción A:

Enrosque el cable a través de los canales y fíjelo con las placas **28** y los tornillos de placa **29**.

#### Opción B:

Instale las placas **28** con los tornillos de placa **29**. Enrosque los sujetacables **30** a través de los orificios de los extremos de las placas **28**.

Organice los cables y fíjelos con los sujetacables **30**.

 **NOTA:** Tire del brazo hasta su extensión máxima antes de pasar los cables a través de los canales y después dirija los cables sin una tensión excesiva. De este modo los cables tendrán holgura suficiente para evitar un exceso de tensión al ajustar la posición del brazo.

## Dimensiones

Ver PÁGINA 23



# FOLLOW **SANUS** ON YOUR FAVORITE SOCIAL NETWORKS!

[FACEBOOK.COM/SANUSSYSTEMS](https://www.facebook.com/sanusystems)



Learn ways to get the most out of your space.  
Find product updates and more.

[TWITTER.COM/SANUSSYSTEMS](https://twitter.com/sanusystems)



Learn installation tips, tricks and household know-hows.

[YOUTUBE.COM/SANUSSYSTEMS](https://www.youtube.com/sanusystems)



View step-by-step product videos to ease your install experiences.  
Find the latest news stories about your favorite SANUS products.

Milestone AV Technologies and its affiliated corporations and subsidiaries (collectively, "Milestone"), intend to make this manual accurate and complete. However, Milestone makes no claim that the information contained herein covers all details, conditions, or variations. Nor does it provide for every possible contingency in connection with the installation or use of this product. The information contained in this document is subject to change without notice or obligation of any kind. Milestone makes no representation of warranty, expressed or implied, regarding the information contained herein. Milestone assumes no responsibility for accuracy, completeness or sufficiency of the information contained in this document.

Milestone AV Technologies y sus empresas asociadas y filiales (colectivamente "Milestone") tienen la intención de que este manual sea preciso y completo. Sin embargo, Milestone no garantiza que la información que contiene incluya todos los detalles condiciones y variaciones, ni que contemple toda posible contingencia en conexión con la instalación y uso de este producto. La información contenida en este documento es susceptible de ser modificada sin aviso ni obligación de ningún tipo. Milestone no hace ninguna manifestación de garantía, explícita o implícita, respecto a la información contenida este documento. Milestone no asume ninguna responsabilidad por la exactitud, integridad o suficiencia de la información contenida en este documento.

# REGISTER YOUR NEW **SANUS** PRODUCT!

1

By registering, you'll be entered to win, and will receive the latest product updates, design tips, and other ways to enhance your life in your home.

2

Visit **SANUS.com/register** to complete your registration and start enjoying all of the benefits SANUS has to offer.

3

Leave a product review and let us know how your install went!



If you ever have questions about your SANUS product, give us a call at 1-800-359-5520. We're ready to help!  
'Monthly prize' rules and restrictions apply. Visit [SANUS.com](http://SANUS.com) for more info.

800-359-5520 (UK: 0800-056-2853) • [info@sanus.com](mailto:info@sanus.com) • [sanus.com](http://sanus.com)

©2016 Milestone AV Technologies. All rights reserved. SANUS is a division of Milestone.  
All other brand names or marks are used for identification purposes and are trademarks of their respective owners.

SANUS • 6436 City West Parkway • Eden Prairie, MN 55344 USA

6901-002654 00