



# Windham™

Two-piece round-front 1.28 gpf toilet  
**402320**

## Features

- Two-piece design
- Round-front bowl offers an ideal solution for smaller bathrooms and powder rooms
- Standard height
- 1.28 gpf (4.8 lpf)
- 2-1/8" (54 mm) fully glazed trapway
- Pro Force® Plus flushing technology delivers greater flushing power than previous Pro Force® models
- Combination consists of toilet bowl and tank
- Includes: Left-hand Polished Chrome trip lever, tank cover, tank mounting pack, and bolt cap accessory pack

## Installation

- Three-bolt quick-connect installation
- Standard 12" (305 mm) rough-in
- Seat and supply line sold separately

## Recommended Products/Accessories

- K-20111 Brevia™ Quiet-Close™ round-front toilet seat
- K-9466-L Left-Hand Trip Lever
- K-5420 Low-Profile Bolt Caps
- K-23726 Drain treatment

## Included Components

- 403017 Round-front toilet bowl
- 402362 Toilet tank



## Codes/Standards

- ASME A112.19.2/CSA B45.1
- DOE - Energy Policy Act 1992
- EPA WaterSense®
- California Energy Commission (CEC)


## STERLING® Toilet Limited Warranty

See website for detailed warranty information.

## Available Colors/Finishes

*Color tiles intended for reference only.*

Color	Code	Description
-------	------	-------------

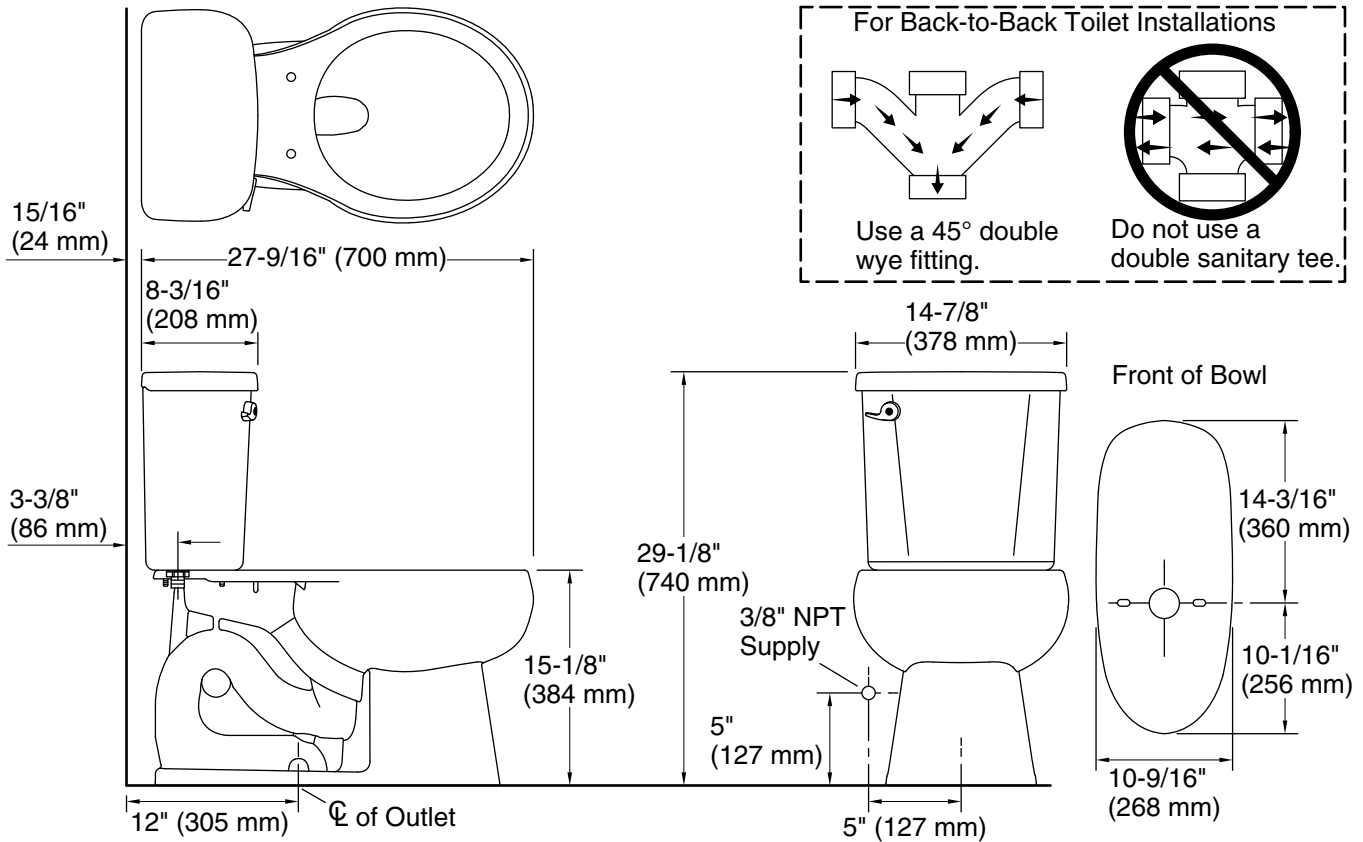
	0	White
---	---	-------

1-800-STERLING (1-800-783-7546)

Kohler Co. reserves the right to make revisions without notice to product specifications.

For the most current Specification Sheet, go to [www.sterlingplumbing.com](http://www.sterlingplumbing.com).

4-16-2026 19:51 - US/CA



**Technical Information**

All product dimensions are nominal.

Toilet type: Floor-mount  
Waste Outlet: Floor  
Bowl shape: Round-front  
Flush type: ProForce Plus  
Trap passageway: 2-1/8" (54 mm)  
Water surface size: 10" x 8" (254 mm x 203 mm)  
Rim to water surface: 6-3/16" (157 mm)  
Rough-in: 12" (305 mm)

**Notes**

Install this product according to the installation instructions.

For back-to-back toilet installations: Use only a 45° double wye fitting.

Product dimensions are nominal and may vary per ASME A112.19.2 tolerances.