

88 5001 301 Buffet and Hutch (Natural Finish)

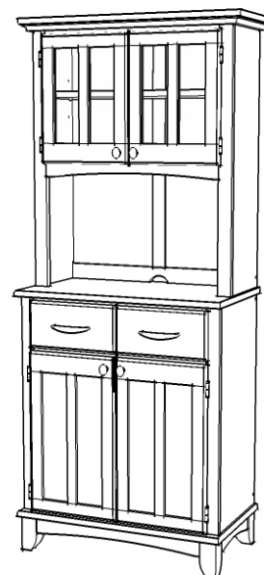
IMPORTANT NOTE

Carefully remove all the parts from the carton and put them individually on a soft cloth to prevent scratches or other damages occurring to the wood parts.

We have taken great care in the design of this product and request that you carefully and strictly follow our assembly instructions to ensure a completed product as it was designed.



Hutch Unit

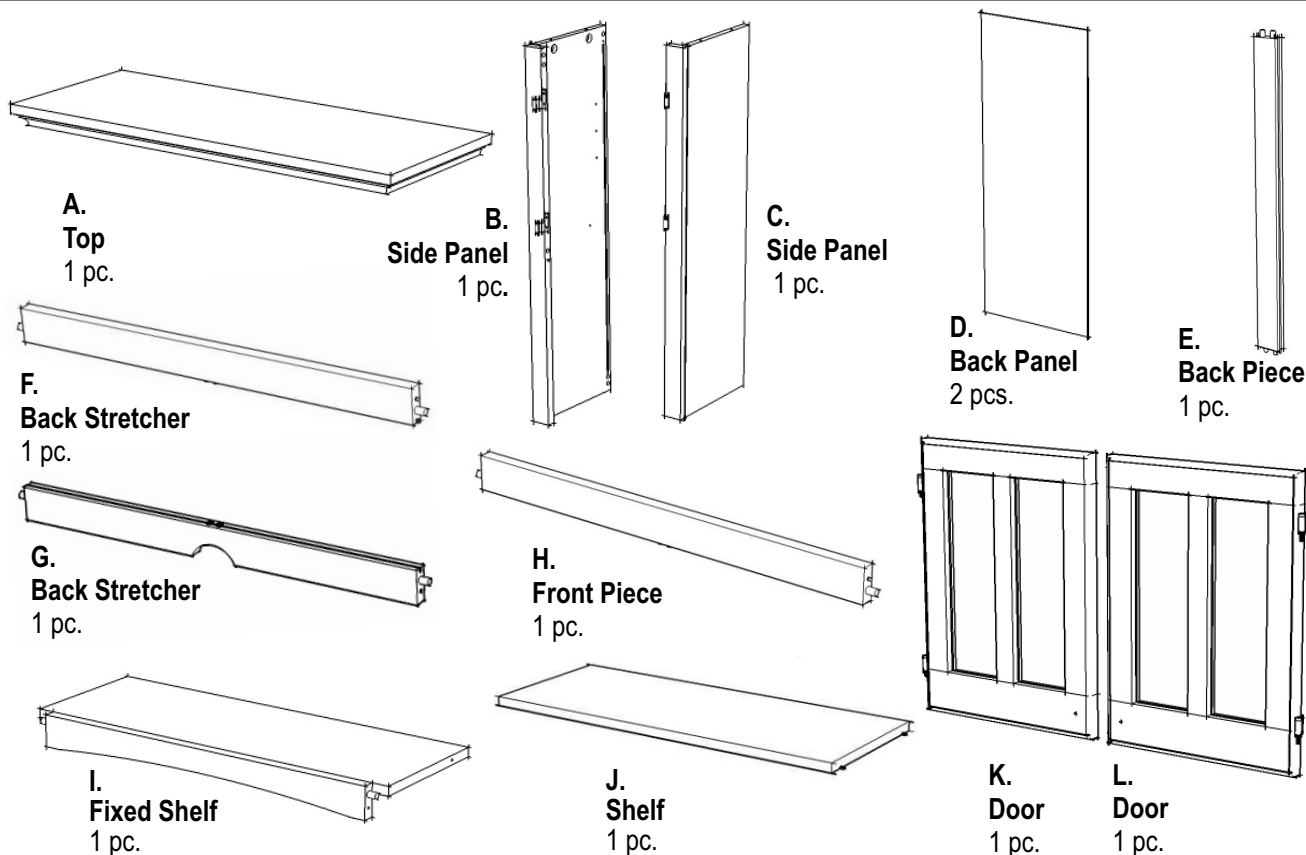


Thai Patent Pending Numbers 0602000973



Casual Attire For Today's Home

Hutch Unit Part List



Hardware List



Cam Lock
14 pcs. (+1 extra)



Adjustable Pin
4 pcs. (+1 extra)



Machine Screw
2 pcs.



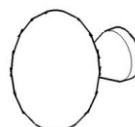
Cam Lock Screw
14 pcs. (+1 extra)



Wood Screw for Back Panel
8 pcs. (1 extra)



Wood Screw for Steel Plate Connector
8 pcs. (1 extra)



Door Pull Handle
2 pcs.



Steel Plate Connector
2 pcs.

Tools Required For Assembly : Phillips screwdriver

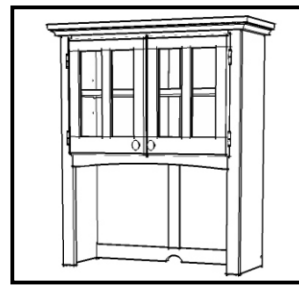
Home Styles Consumer Assistance Line 888-680-7460 and 877-831-0319
servicedesk@homestyles-furniture.com

88 5001 302 Buffet and Hutch (White Finish)

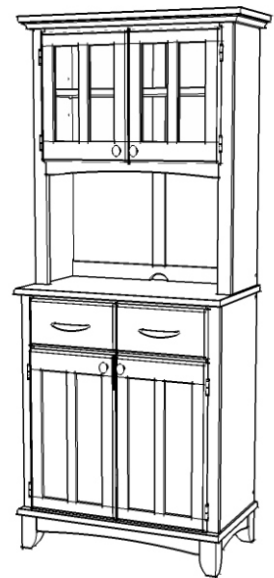
IMPORTANT NOTE

Carefully remove all the parts from the carton and put them individually on a soft cloth to prevent scratches or other damages occurring to the wood parts.

We have taken great care in the design of this product and request that you carefully and strictly follow our assembly instructions to ensure a completed product as it was designed.



Hutch Unit

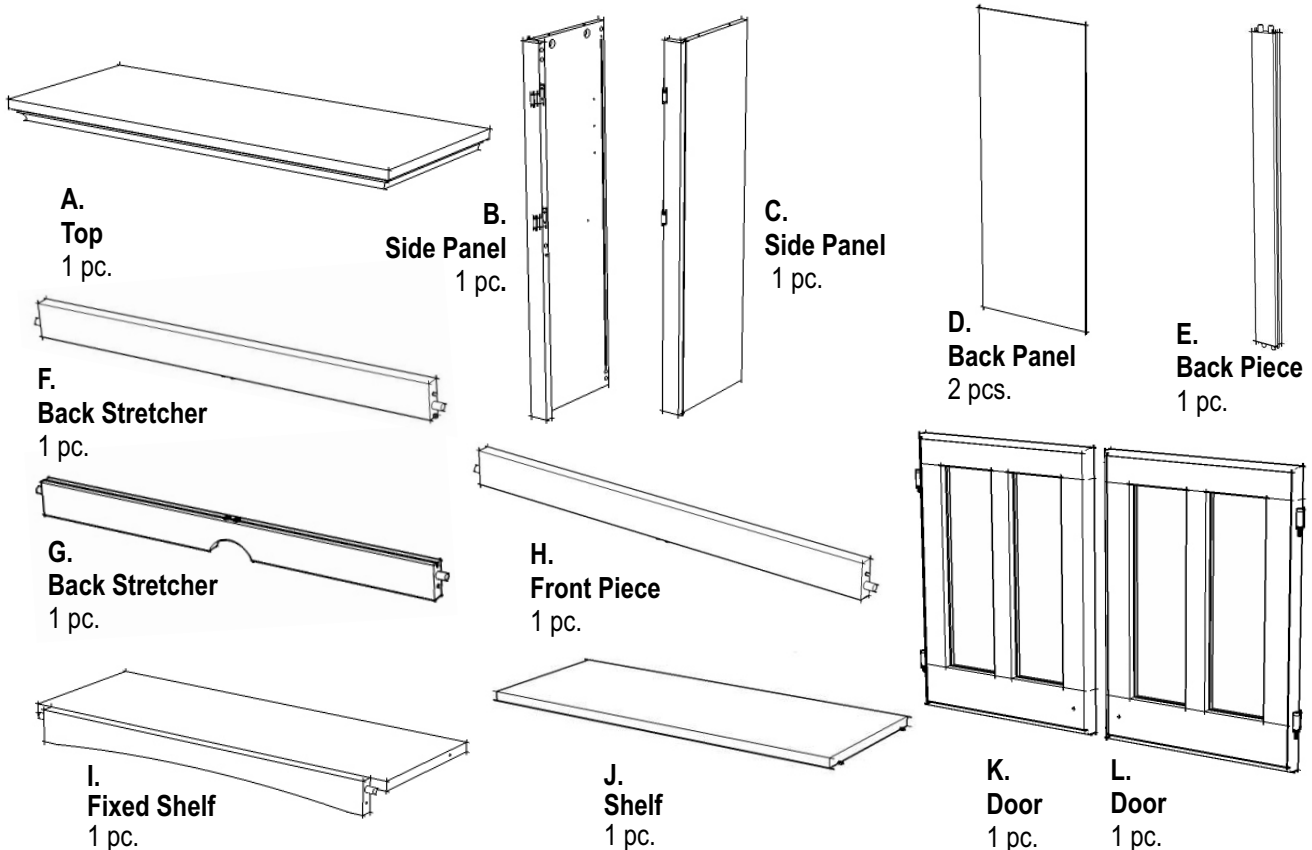


Thai Patent Pending Numbers 0602000973



Casual Attire For Today's Home

Hutch Unit Part List



Hardware List



Cam Lock
14 pcs.(+1 extra)



Adjustable Pin
4 pcs.(+1 extra)



Machine Screw
2 pcs.



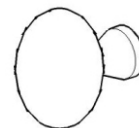
Cam Lock Screw
14 pcs.(+1 extra)



Wood Screw for Back Panel
8 pcs. (1 extra)



Wood Screw for Steel Plate Connector
8 pcs. (1 extra)



Door Pull Handle
2 pcs.



Steel Plate Connector
2 pcs.

Tools Required For Assembly : Phillips screwdriver

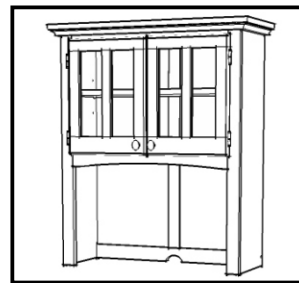
Home Styles Consumer Assistance Line 888-680-7460 and 877-831-0319
servicedesk@homestyles-furniture.com

88 5001 303 Buffet and Hutch (Red Finish)

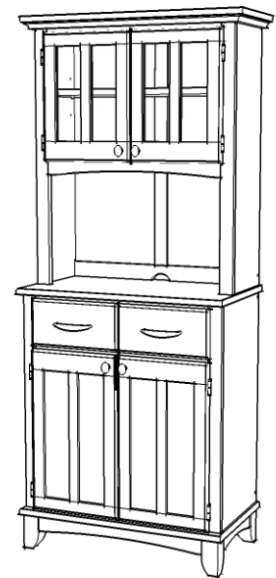
IMPORTANT NOTE

Carefully remove all the parts from the carton and put them individually on a soft cloth to prevent scratches or other damages occurring to the wood parts.

We have taken great care in the design of this product and request that you carefully and strictly follow our assembly instructions to ensure a completed product as it was designed.



Hutch Unit

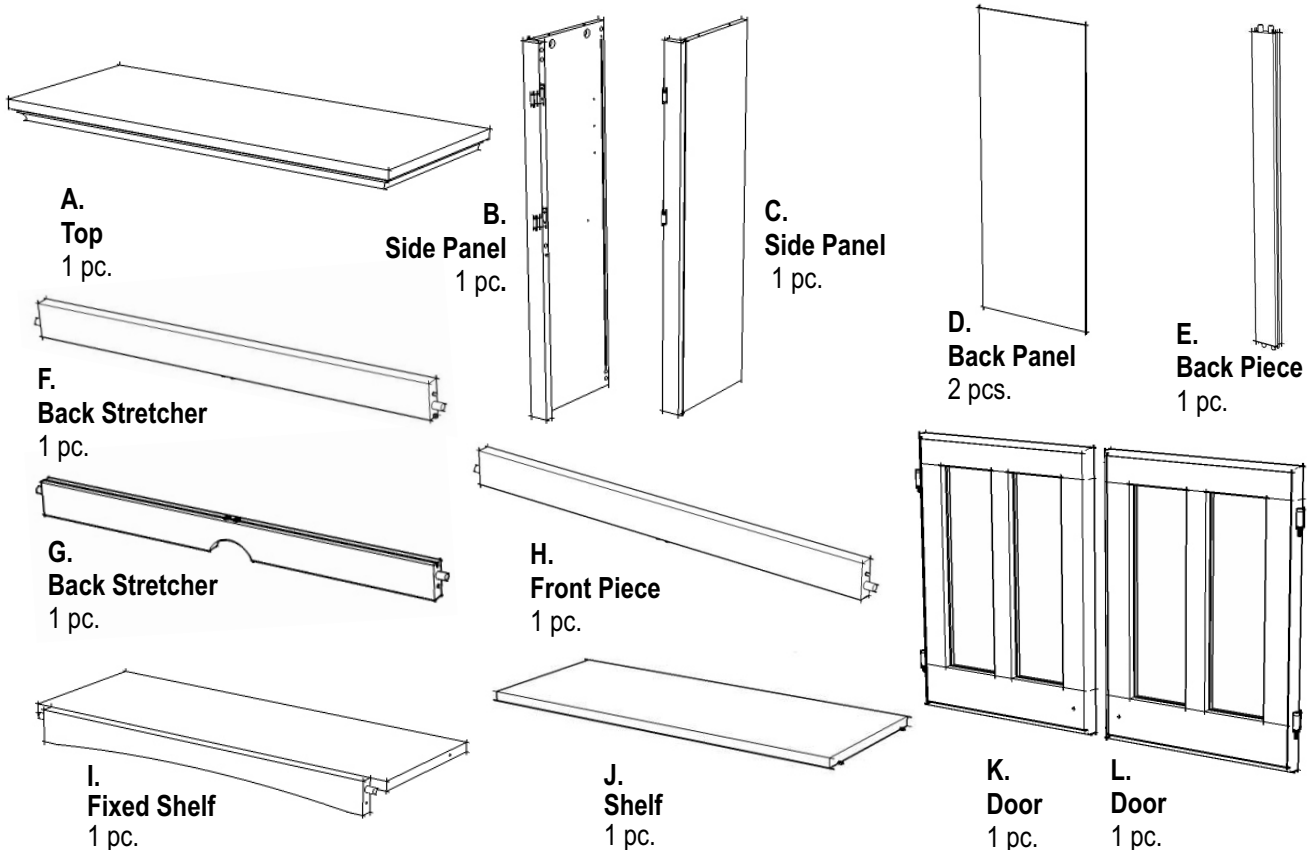


Thai Patent Pending Numbers 0602000973



Casual Attire For Today's Home

Hutch Unit Part List



Hardware List



Cam Lock
14 pcs. (+1 extra)



Adjustable Pin
4 pcs. (+1 extra)



Machine Screw
2 pcs.



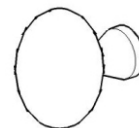
Cam Lock Screw
14 pcs. (+1 extra)



Wood Screw for Back Panel
8 pcs. (1 extra)



Wood Screw for Steel Plate Connector
8 pcs. (1 extra)



Door Pull Handle
2 pcs.



Steel Plate Connector
2 pcs.

Tools Required For Assembly : Phillips screwdriver

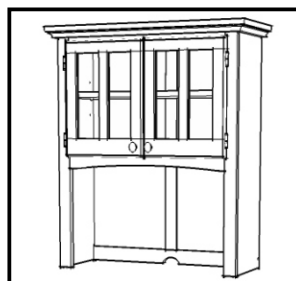
Home Styles Consumer Assistance Line 888-680-7460 and 877-831-0319
servicedesk@homestyles-furniture.com

88 5001 304 Buffet and Hutch (Black Finish)

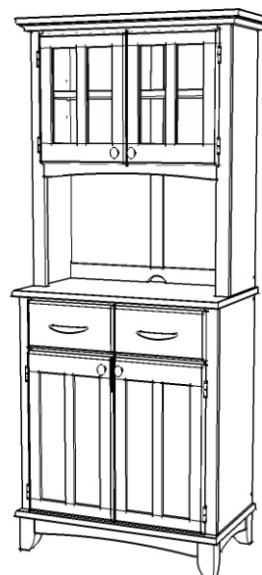
IMPORTANT NOTE

Carefully remove all the parts from the carton and put them individually on a soft cloth to prevent scratches or other damages occurring to the wood parts.

We have taken great care in the design of this product and request that you carefully and strictly follow our assembly instructions to ensure a completed product as it was designed.



Hutch Unit

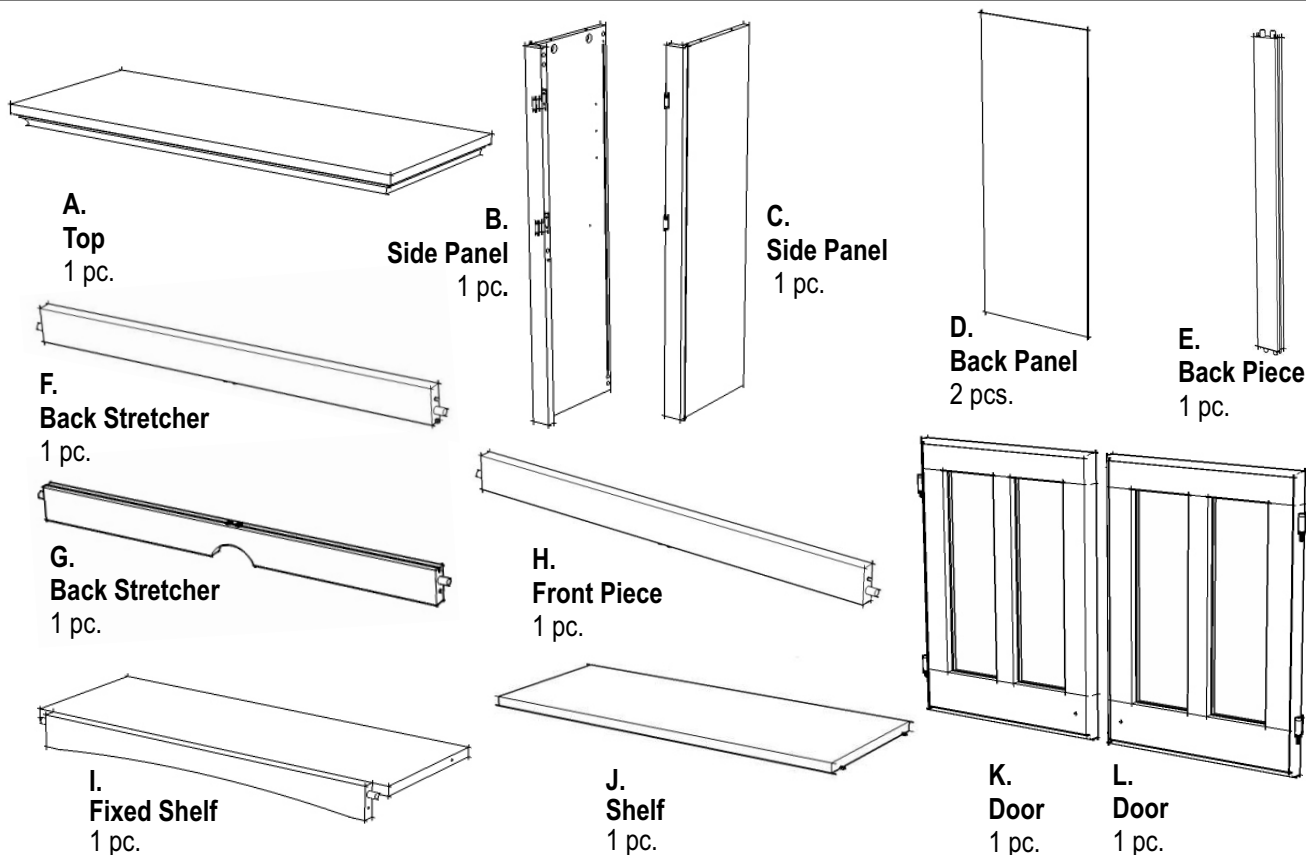


Thai Patent Pending Numbers 0602000973



Casual Attire For Today's Home

Hutch Unit Part List



Hardware List



Cam Lock
14 pcs.(+1 extra)



Adjustable Pin
4 pcs.(+1 extra)



Machine Screw
2 pcs.



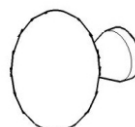
Cam Lock Screw
14 pcs.(+1 extra)



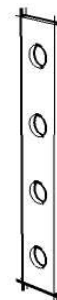
**Wood Screw
for Back Panel**
8 pcs. (1 extra)



**Wood Screw
for Steel Plate
Connector**
8 pcs. (1 extra)



**Door
Pull Handle**
2 pcs.



**Steel Plate
Connector**
2 pcs.

Tools Required For Assembly : Phillips screwdriver

Home Styles Consumer Assistance Line 888-680-7460 and 877-831-0319
servicedesk@homestyles-furniture.com

88 5001 306 Buffet and Hutch (Cottage Oak)

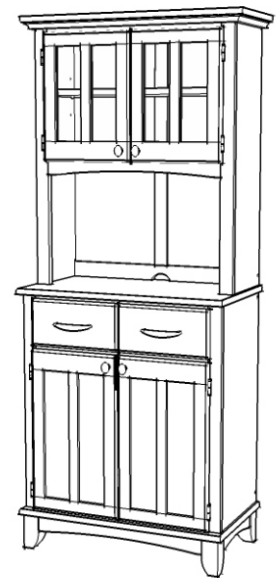
IMPORTANT NOTE

Carefully remove all the parts from the carton and put them individually on a soft cloth to prevent scratches or other damages occurring to the wood parts.

We have taken great care in the design of this product and request that you carefully and strictly follow our assembly instructions to ensure a completed product as it was designed.



Hutch Unit

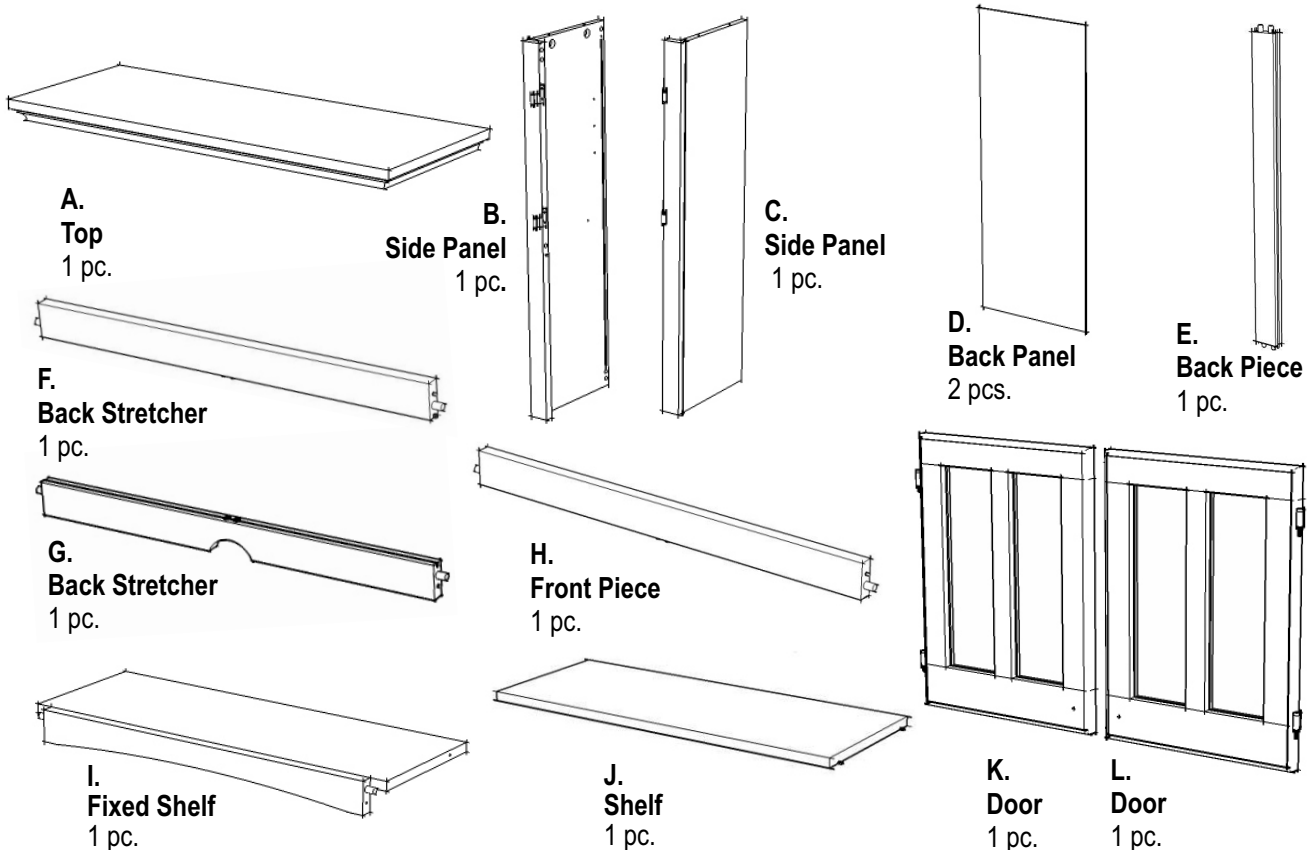


Thai Patent Pending Numbers 0602000973



Casual Attire For Today's Home

Hutch Unit Part List



Hardware List



Cam Lock
14 pcs.(+1 extra)



Adjustable Pin
4 pcs.(+1 extra)



Machine Screw
2 pcs.



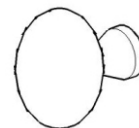
Cam Lock Screw
14 pcs.(+1 extra)



**Wood Screw
for Back Panel**
8 pcs. (1 extra)



**Wood Screw
for Steel Plate
Connector**
8 pcs. (1 extra)



**Door
Pull Handle**
2 pcs.



**Steel Plate
Connector**
2 pcs.

Tools Required For Assembly : Phillips screwdriver

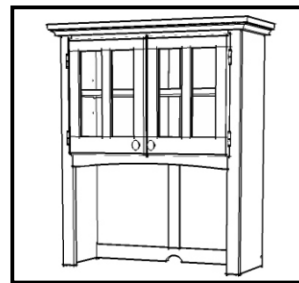
Home Styles Consumer Assistance Line 888-680-7460 and 877-831-0319
servicedesk@homestyles-furniture.com

88 5001 307 Buffet and Hutch (Cherry Finish)

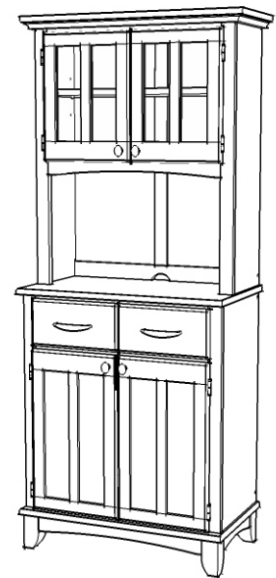
IMPORTANT NOTE

Carefully remove all the parts from the carton and put them individually on a soft cloth to prevent scratches or other damages occurring to the wood parts.

We have taken great care in the design of this product and request that you carefully and strictly follow our assembly instructions to ensure a completed product as it was designed.



Hutch Unit

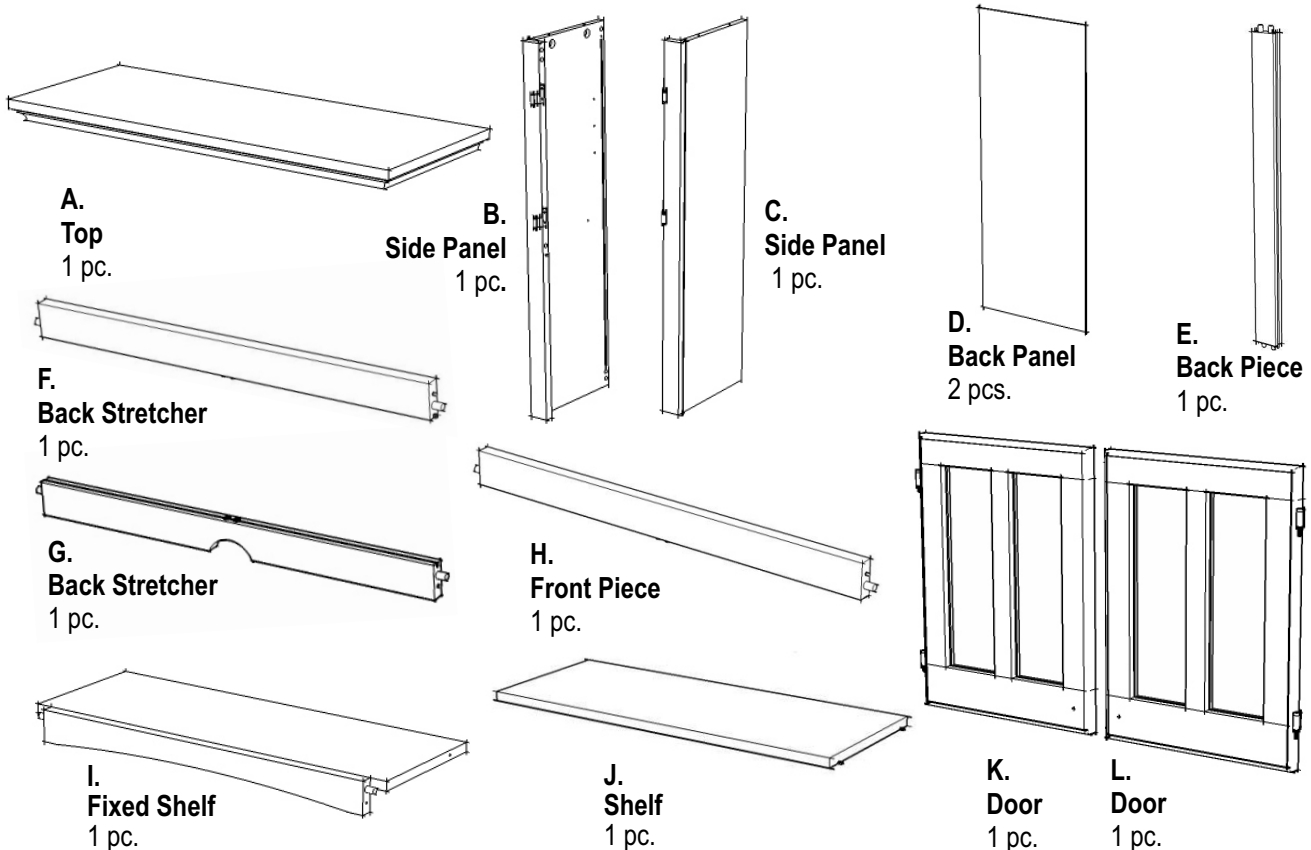


Thai Patent Pending Numbers 0602000973



Casual Attire For Today's Home

Hutch Unit Part List



Hardware List



Cam Lock
14 pcs.(+1 extra)



Adjustable Pin
4 pcs.(+1 extra)



Machine Screw
2 pcs.



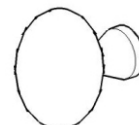
Cam Lock Screw
14 pcs.(+1 extra)



Wood Screw for Back Panel
8 pcs. (1 extra)



Wood Screw for Steel Plate Connector
8 pcs. (1 extra)



Door Pull Handle
2 pcs.



Steel Plate Connector
2 pcs.

Tools Required For Assembly : Phillips screwdriver

Home Styles Consumer Assistance Line 888-680-7460 and 877-831-0319
servicedesk@homestyles-furniture.com

Assembly Instructions 2/3

STEP 1

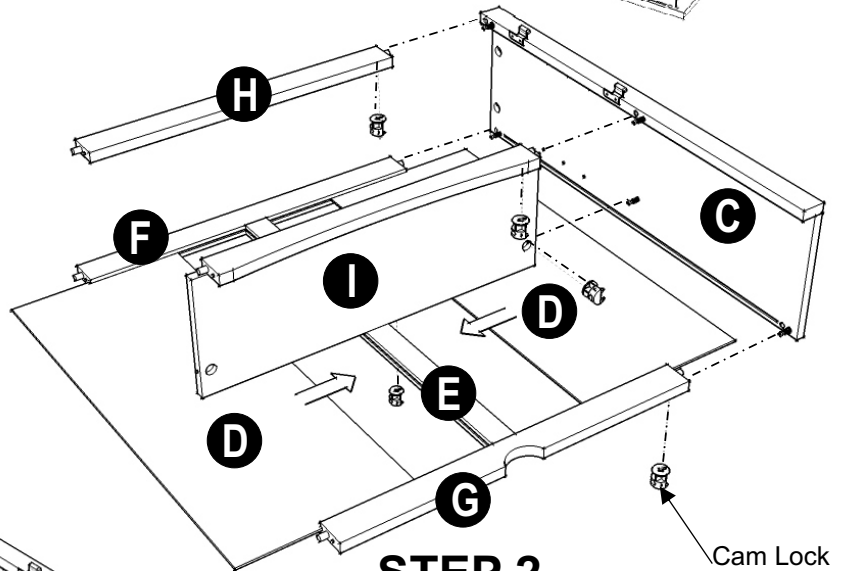
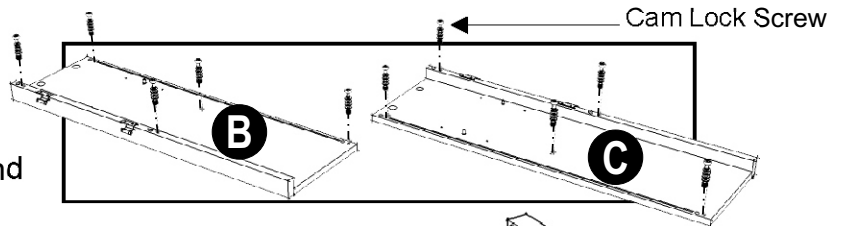
Insert Cam Lock Screws into the pre-drilled holes at Side Panel (B) and (C) and tighten up.

Attach Back Piece (E) in between Back Stretcher (F) and (G).

Slide Back Panel (D) into place.

Attach Side Panel (C) to the unit with Cam Locks.

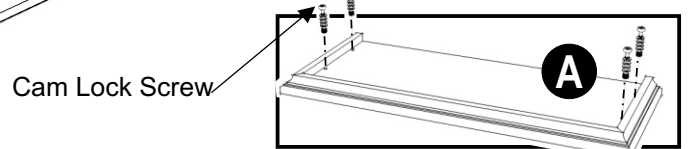
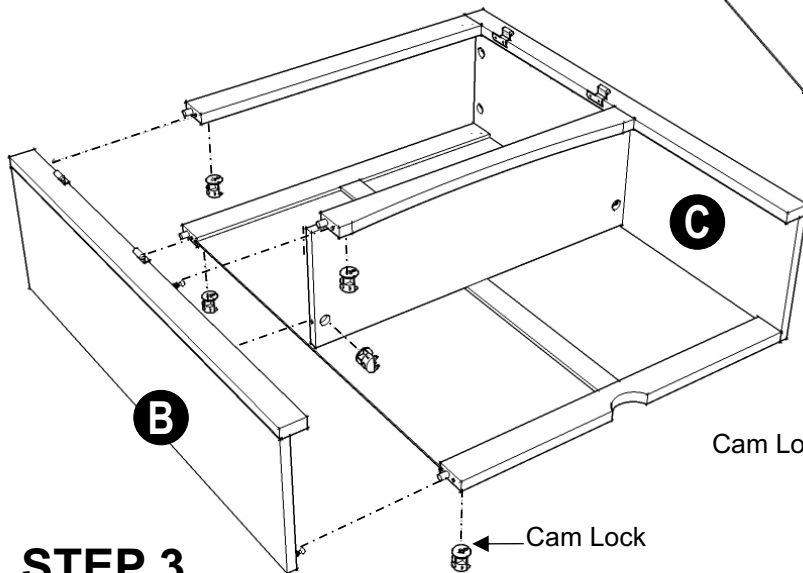
Attach Front Piece (H) and Fixed Shelf (I) to Side Panel (C) with Cam Locks.



STEP 2

Attach Side Panel (B) to the unit with Cam Locks.

Turn the unit back to its normal position.



(Figure 1)

STEP 3

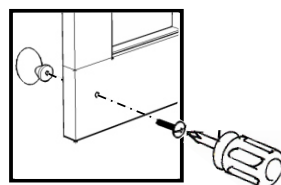
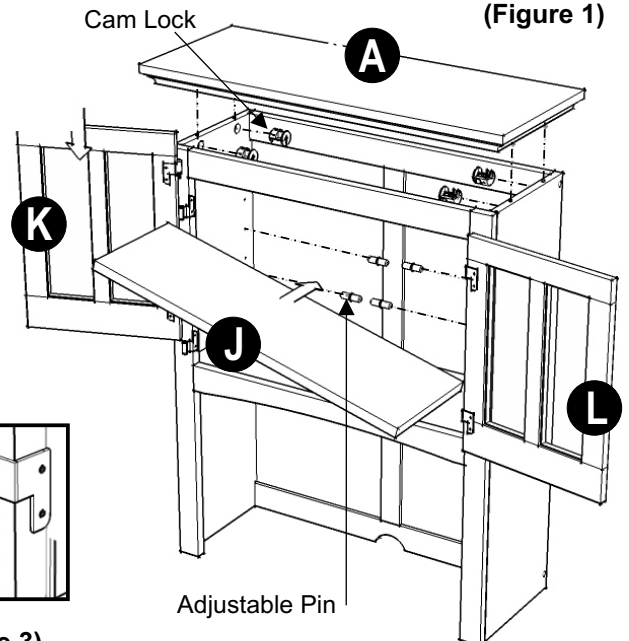
Insert Cam Lock Screws into the pre-drilled holes at the Top (A). (See figure 1)

Attach Top (A) onto the unit with Cam Locks.

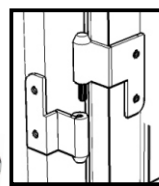
Insert Adjustable Pins into both side panels at the desired level. Slide Shelf (J) into place.

Assemble Pull Handles to Door (K) and (L). (See figure 2)

Attach Door (K) and (L) to the side panels, slide the door lift hinges into the side panel lift hinges. (See figure 3)



(Figure 2)



(Figure 3)

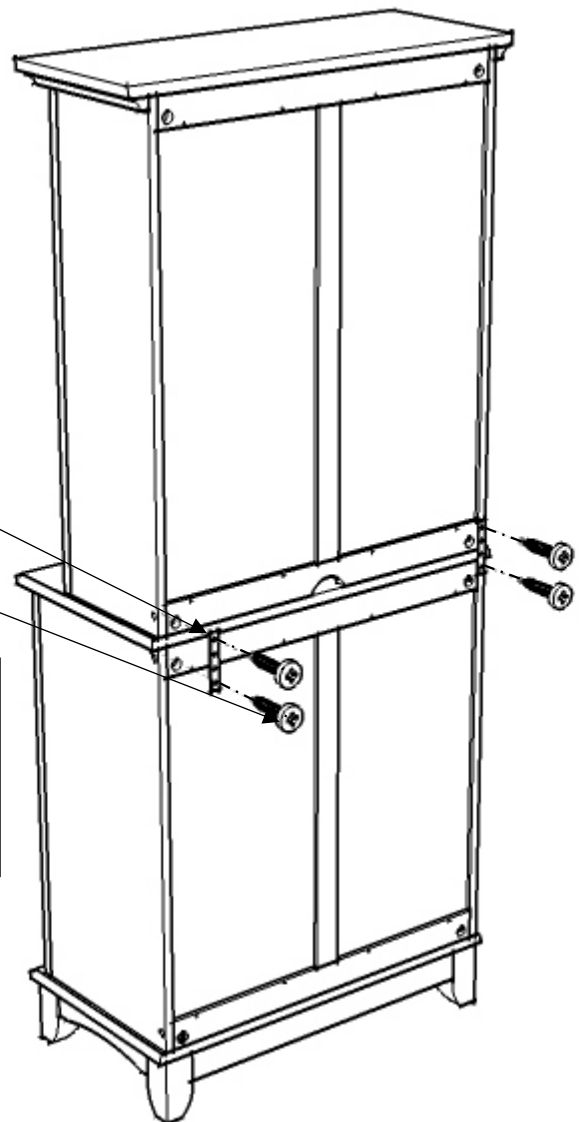
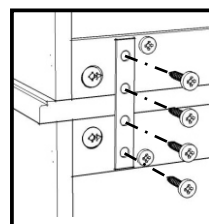
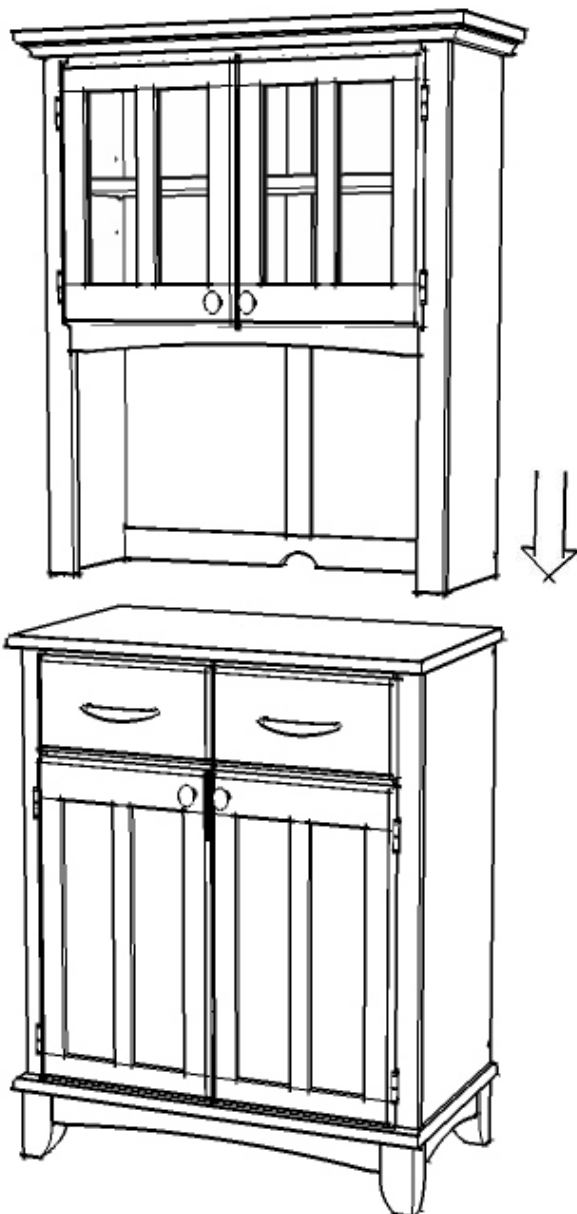
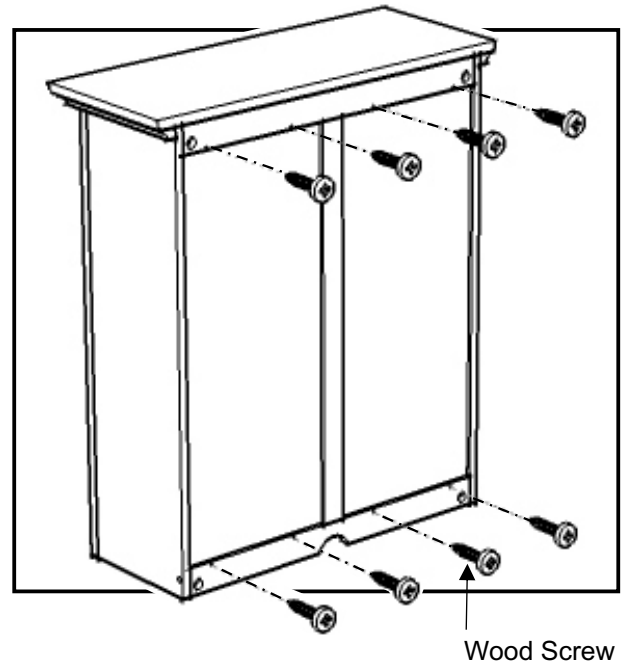
STEP 4

Insert Wood Screws from the back and tighten up.

STEP 5

Place the Hutch unit onto the Buffet unit.

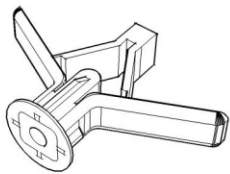
To hold firmly the Hutch and Buffet, attach Steel Plate Connectors, insert Wood Screws and tighten up. (See figure 4)



Attention !

For safety reasons, we recommended you strictly follow this additional instructions as to prevent this Buffet & Hutch Unit from tipping over.

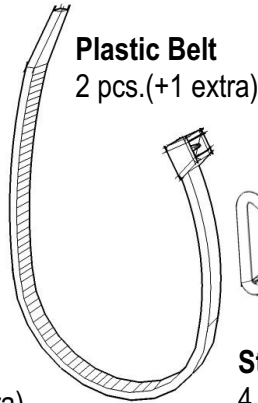
HARDWARE LIST



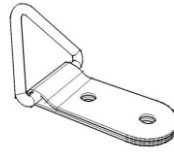
Anchor (A)
2 pcs.(+1 extra)



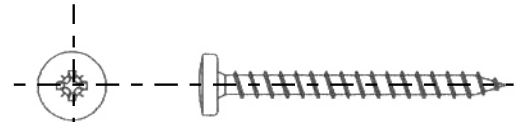
Anchor (B)
2 pcs.(+1 extra)



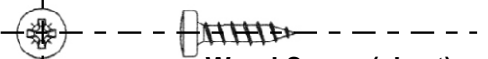
Plastic Belt
2 pcs.(+1 extra)



Steel Bracket
4 pcs.(+1 extra)



Wall Screw (long)
2 pcs.(+1 extra)



Wood Screw (short)
2 pcs.(+1 extra)

Assembly Instructions

Place the Buffet & Hutch unit at the wall.

(Please note that the Anchor (A) is for hollow wall and Anchor (B) is for concrete wall.)

Use the electric drill at the drilling positions on the wall. Insert the selected Anchors into the wall holes and put the Steel Brackets on. Put in wall screws and tighten up.

Put Steel Brackets at the pre-drilled holes on the top of the unit. Put in wood screws and tighten up.

Use the Plastic Belt to secure the Steel Brackets at the unit and the Steel Brackets at the wall (See figure 12). Put the belt end into its socket and tie up.

