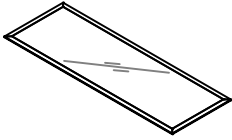


ASSEMBLY INSTRUCTION

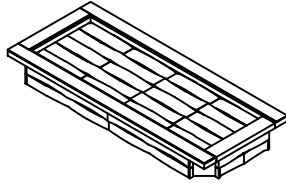
SOFA TABLE

A Glass



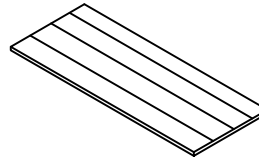
1pc

B Top Frame



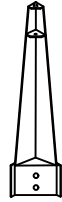
1pc

C Bottom Panel



1pc

D Leg



4pcs

E Bolt
Ø1/4"x1/2"



4pcs

F Bolt
Ø1/4"x2-1/2"



8pcs

G Flat Washer
Ø1/4"x16mm



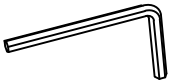
12pcs

H Lock Washer
Ø1/4"x11mm



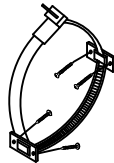
12pcs

I Allen Key
M4

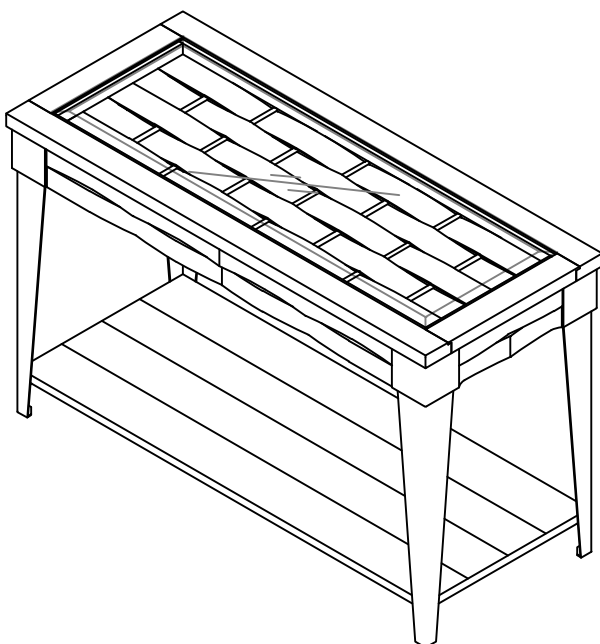


1pc

J Anti-Tipping HW

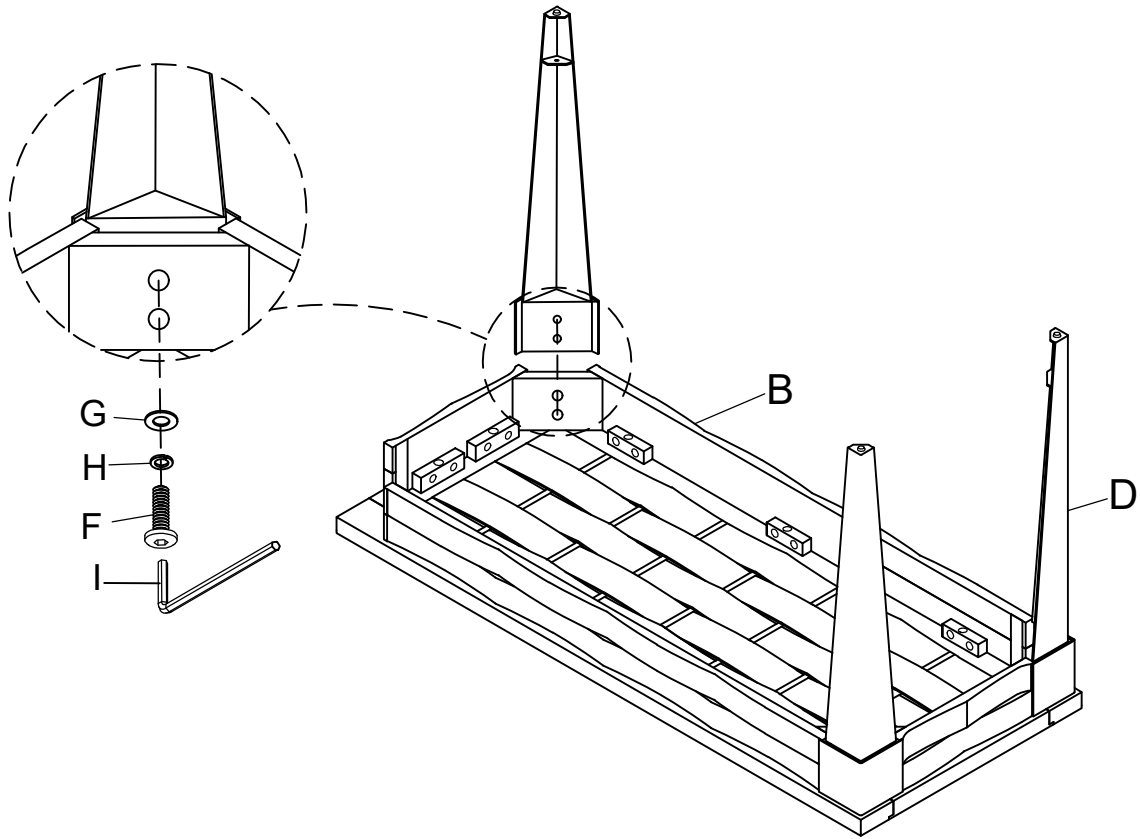


1set

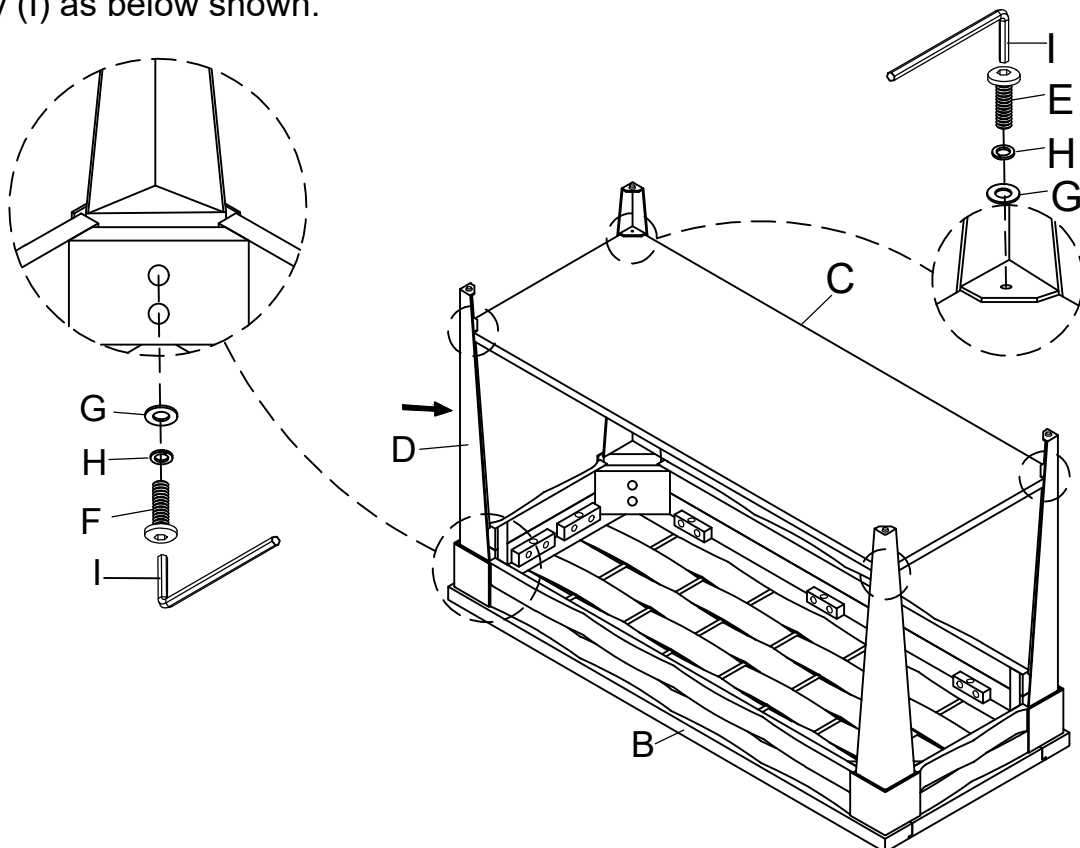


This page lists all the contents included in the box. Please take the time to identify the hardware as well as the individual components to this product. As you unpack and prepare for assembly, place the contents on a carpeted or padded area to protect them from damage.

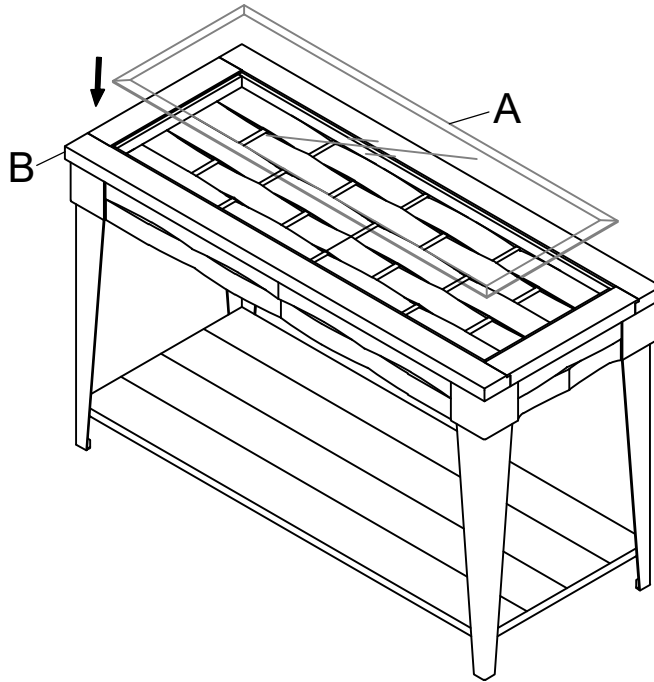
- 1** Assemble Leg (D) to Top Frame (B), using Bolt (F), Lock Washer (H) and Flat Washer (G) by Allen Key (I) as below shown.



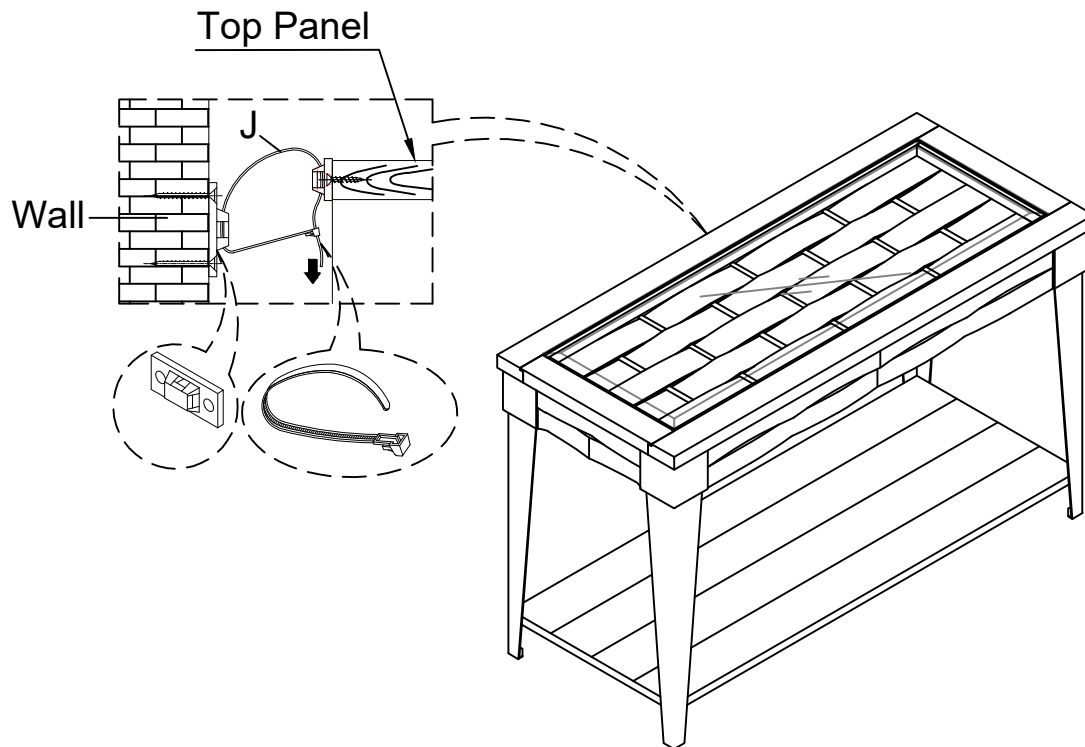
- 2** First, assemble Bottom Panel (C) to Leg (D), using Bolt (E), Lock Washer (H) and Flat Washer (G) by Allen Key (I). Second, assemble the last Leg (D) to Top Frame (B) & Bottom Panel (C), using Bolt (F), Bolt (E), Lock Washer (H) and Flat Washer (G) by Allen Key (I) as below shown.



3 Put Glass (A) onto Top Frame (B) as below shown.



4 Remark: There is a Anti-Tipping HW (J) provided on the back of this product. Please refer carefully to the instruction on the tip restraint kit and following instruction picture for installation.



Cleaning & Care

Treat surface with care. Surface is resistant to scratches but is not scratch resistant. Clean surfaces with a dry or damp soft cloth. Do not use abrasive cleaners. Hardware may loosen over time. Periodically check that all connections are tight.