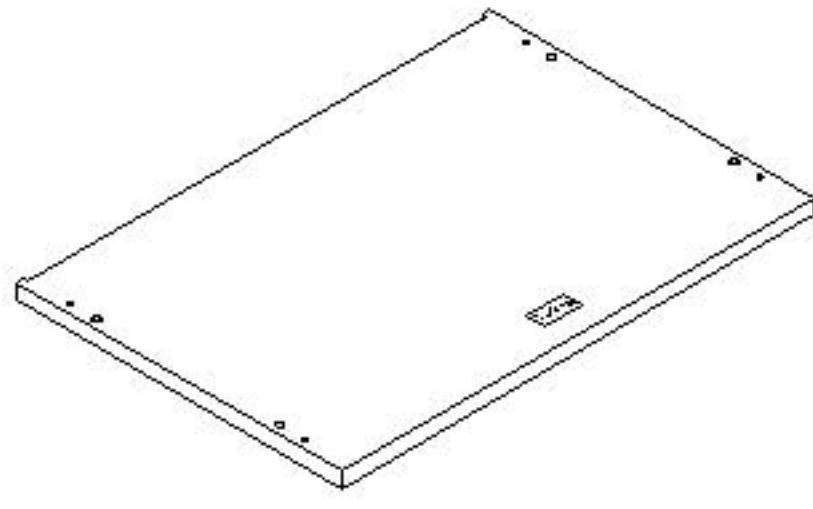
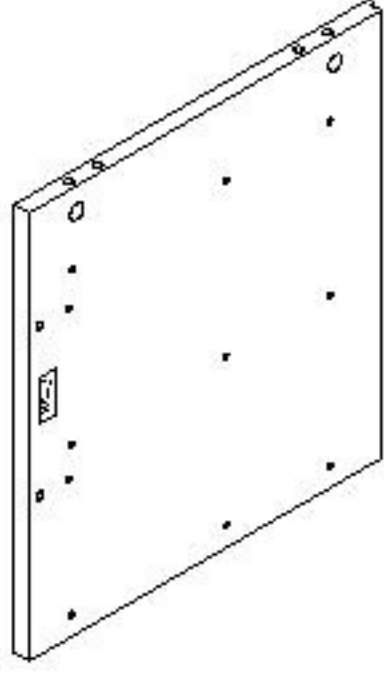
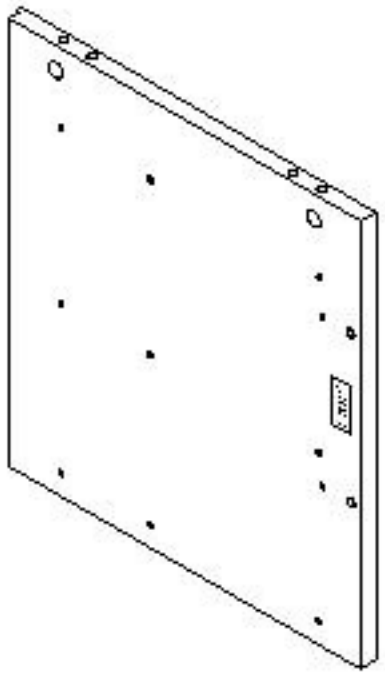
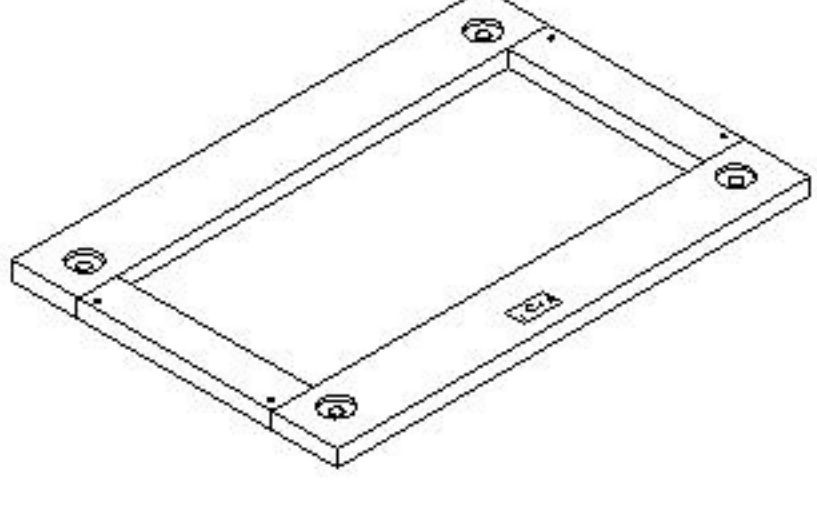
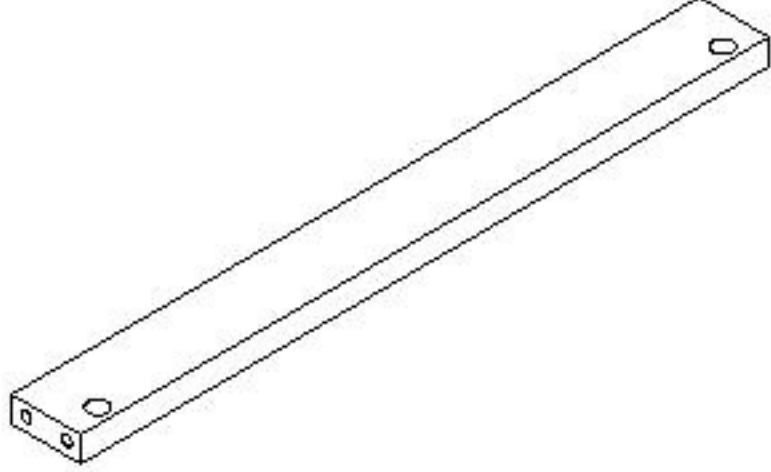
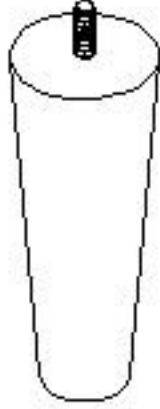
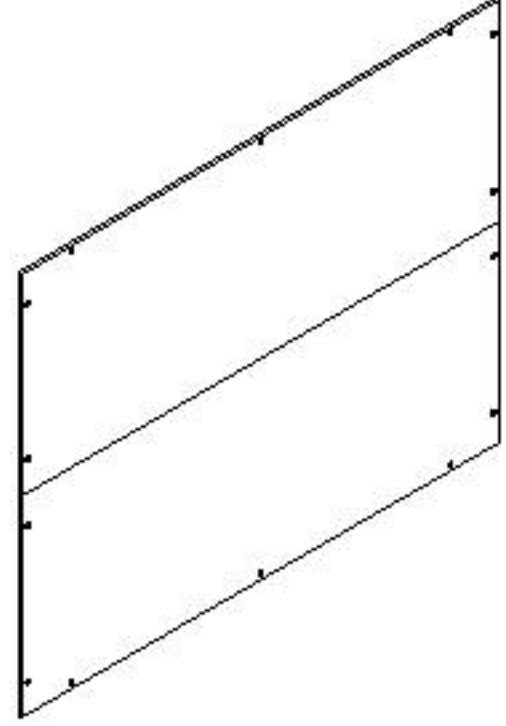
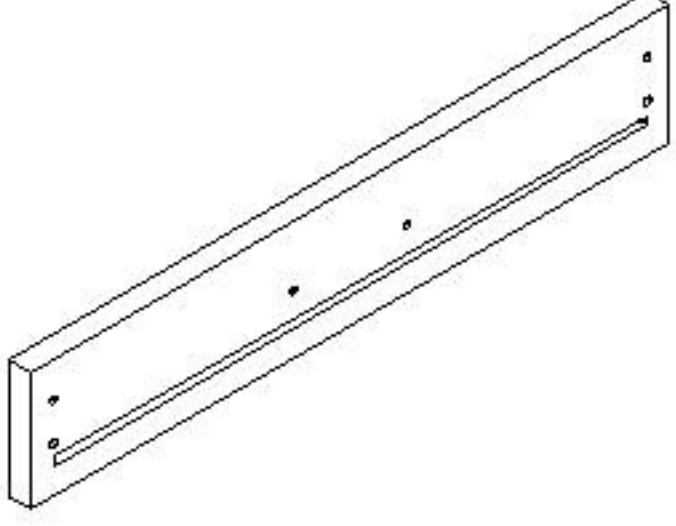
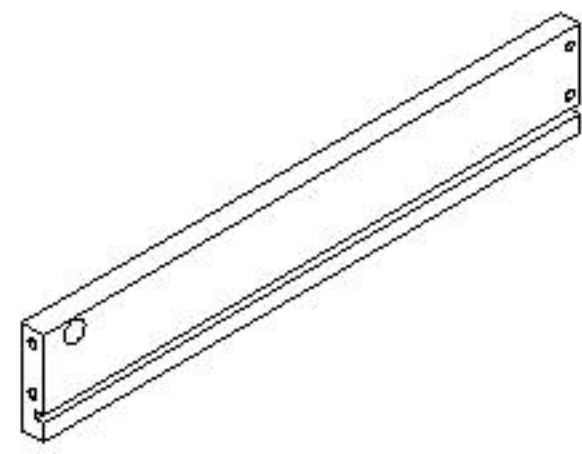
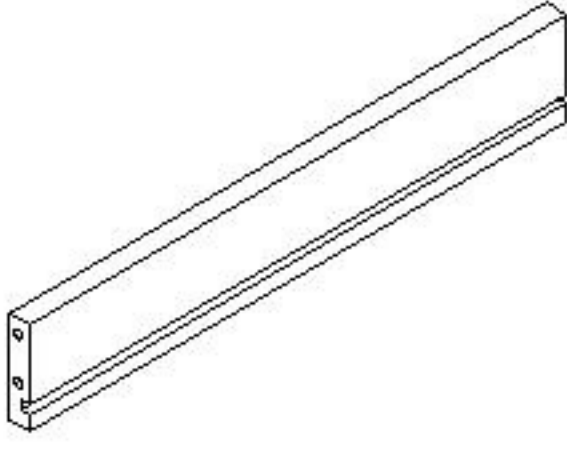
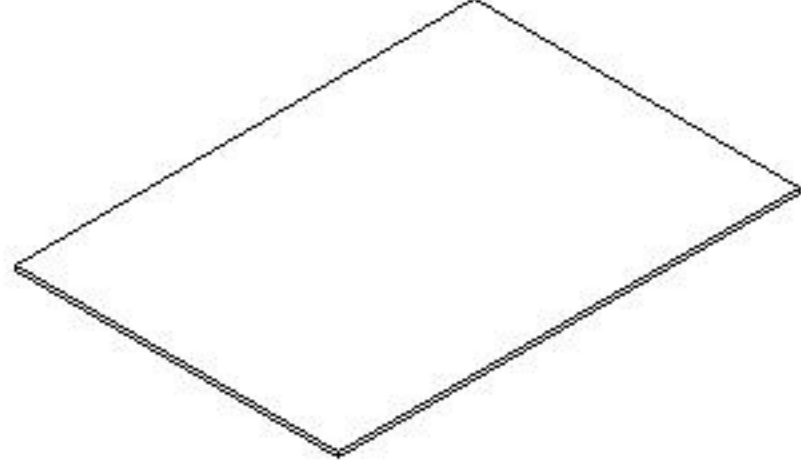
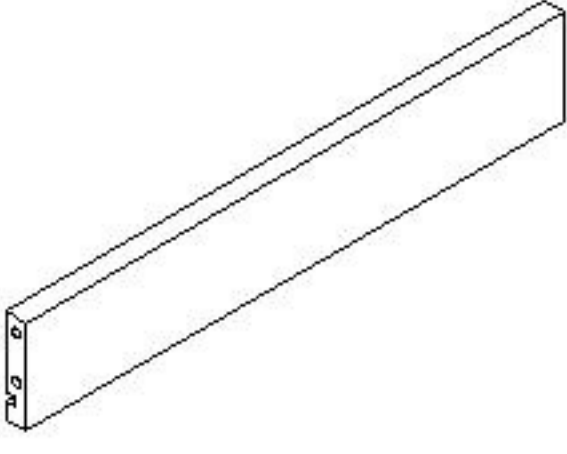
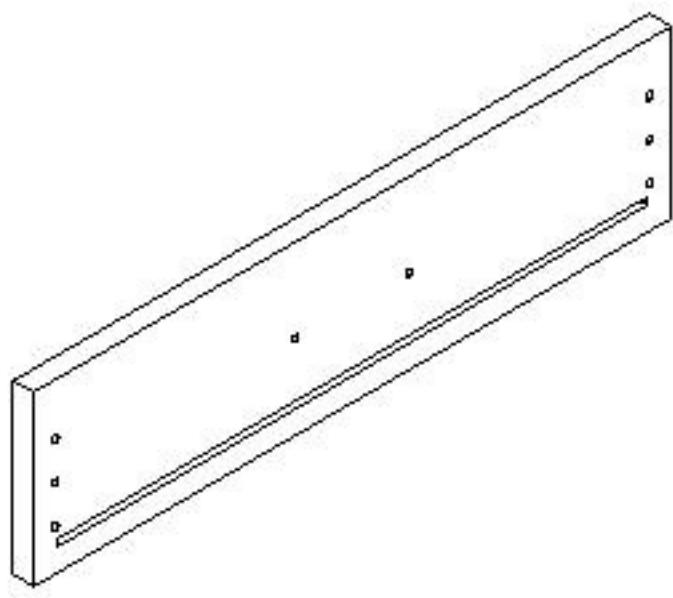
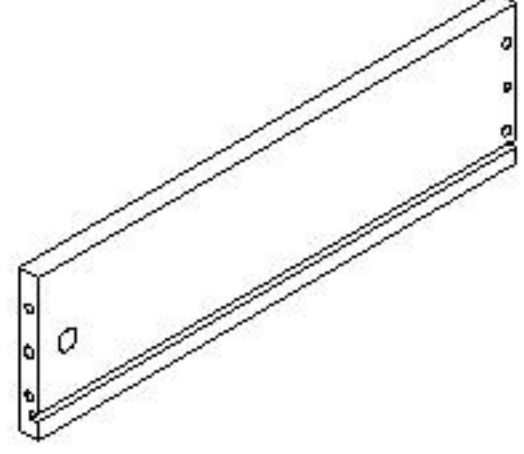
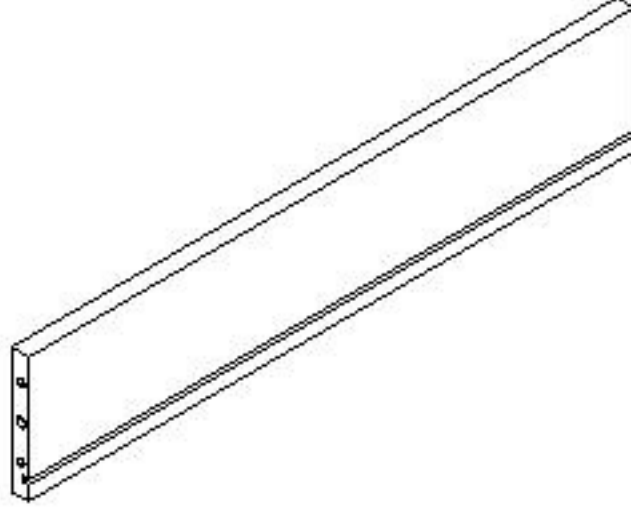
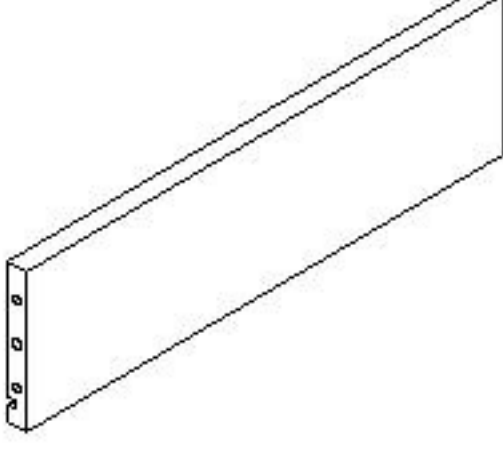
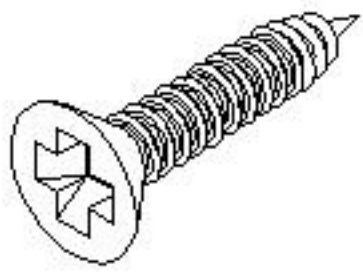
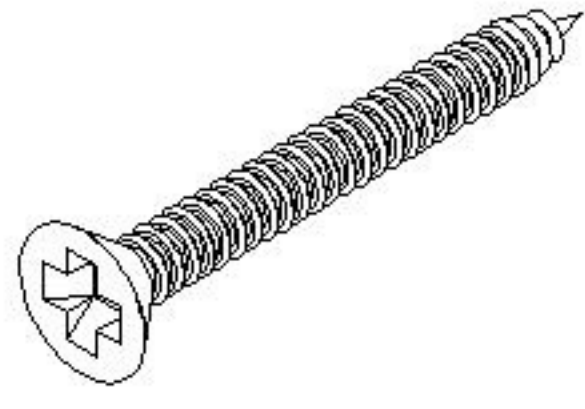
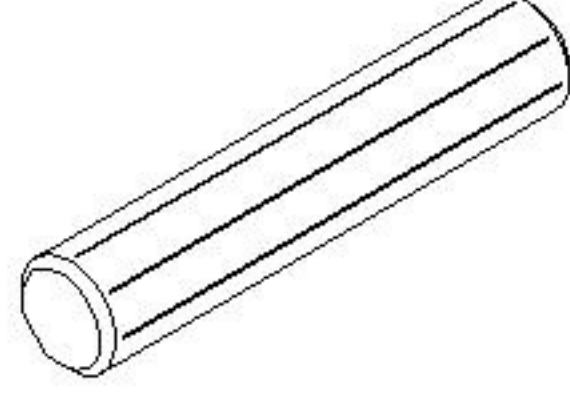
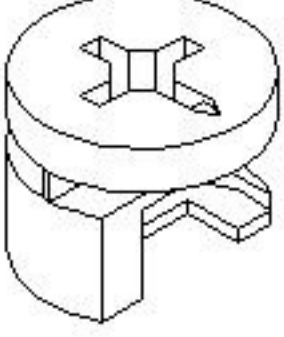
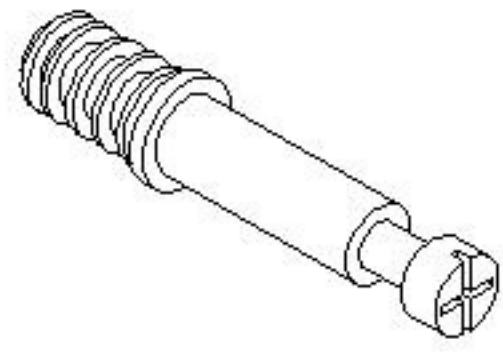


ASSEMBLY INSTRUCTION

3-DRAWER NIGHTSTAND

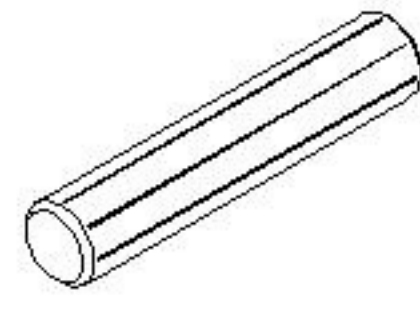
A Top Panel 	B Left Side Panel 	C Right Side Panel 	D Bottom Frame 
1pc E Center Bar 	1pc F Leg 	1pc G Back Plywood 	1pc H Small Drawer Front 
2pcs I Left Small Drawer Side 	4pcs J Small Drawer Back 	1pc K Drawer Base 	1pc L Right Small Drawer Side 
1pc M Big Drawer Front 	1pc N Left Big Drawer Side 	3pcs O Big Drawer Back 	1pc P Right Big Drawer Side 
2pcs Q Screw M3 x 16mm 	2pcs R Screw M4 x 38mm 	2pcs S Dowel M8 x 35mm 	2pcs T Cam Lock 15 x 12mm 
36pcs	4pcs	12pcs	20pcs

U Cam Bolt
5 x 25mm



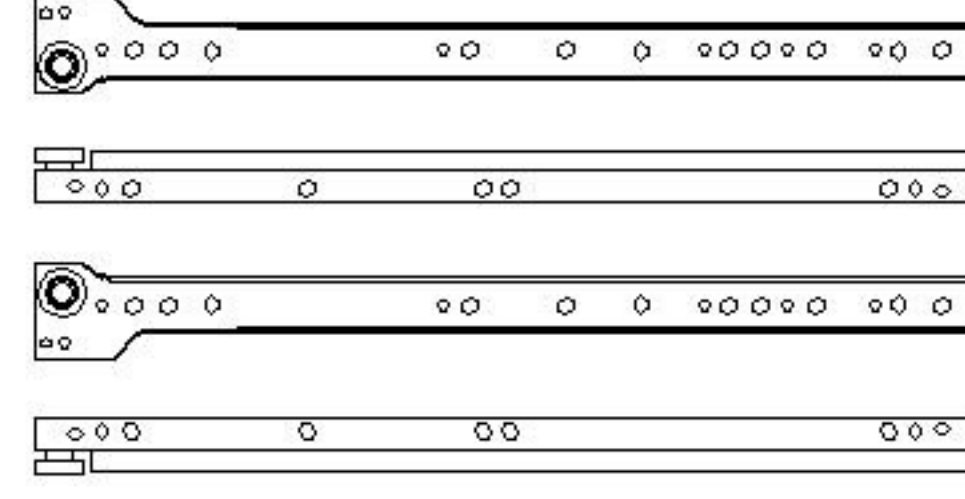
20pcs

V Dowel
M6 x 30mm



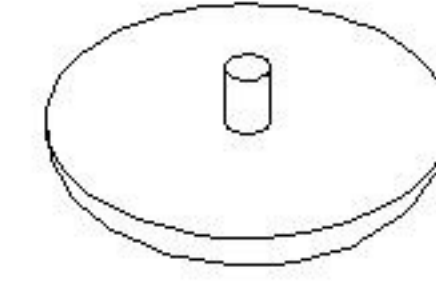
20pcs

W Runner
350mm



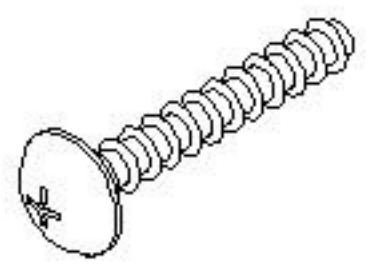
3sets

X Cam Lock Cover
17 x 5mm



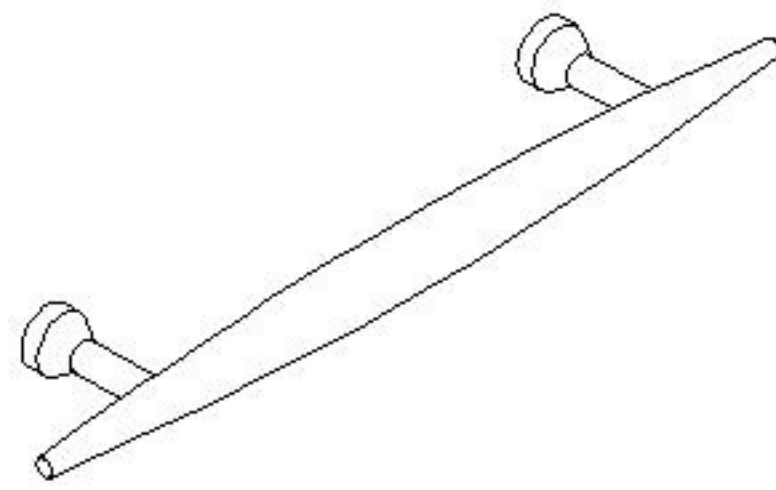
20pcs

Y Panhead Screw
M4 x 22mm



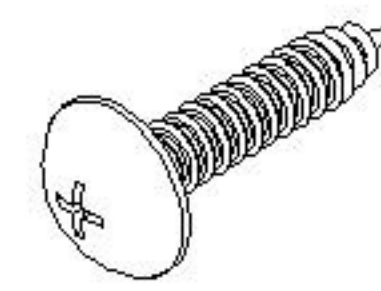
6pcs

Z Handle



3pcs

AA Panhead Screw
M4 x 16mm-Black



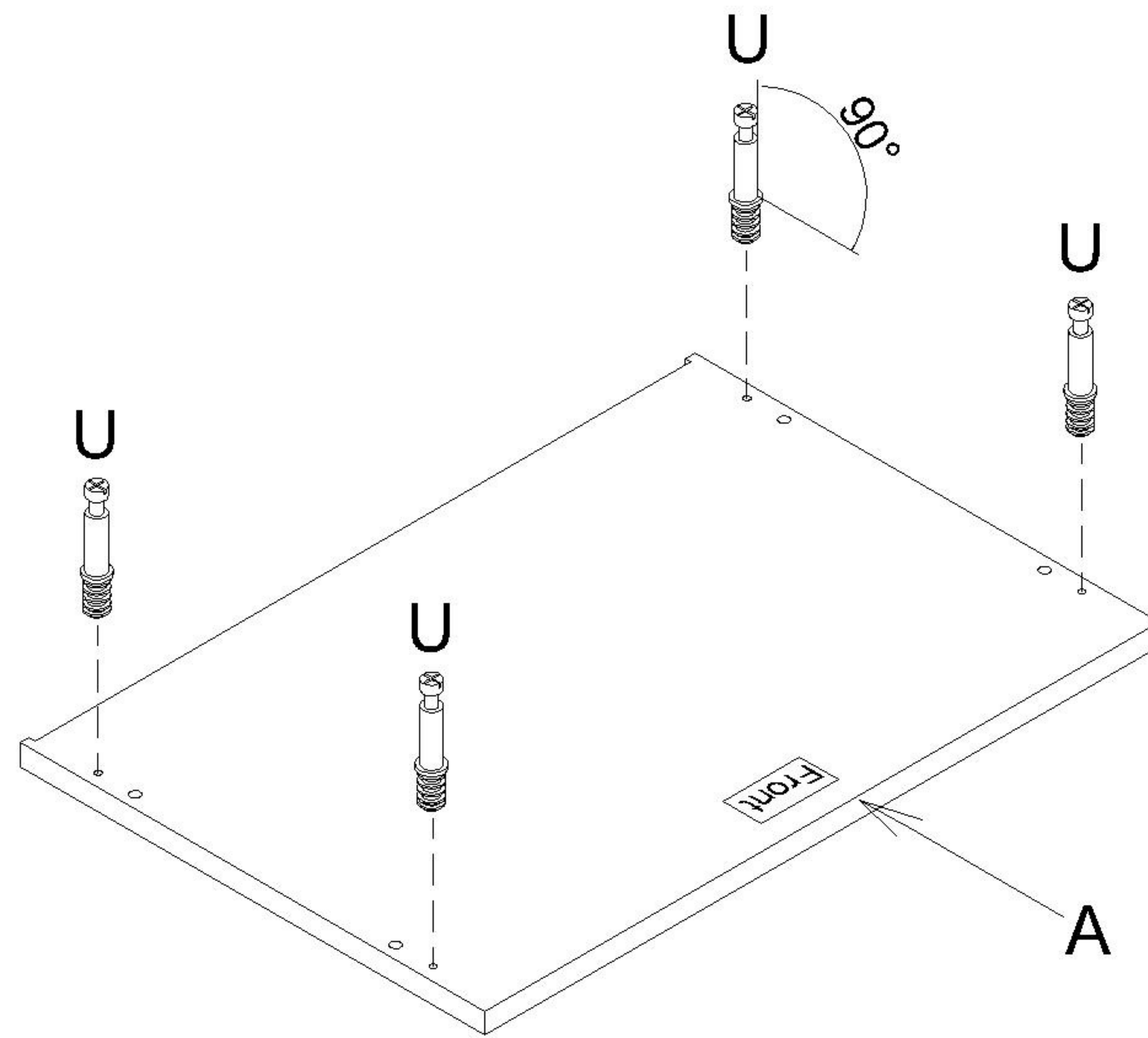
14pcs



These pages list all the contents included in the box. Please take the time to identify the hardware as well as the individual components to this product. As you unpack and prepare for assembly, place the contents on a carpeted or padded area to protect them from damage.

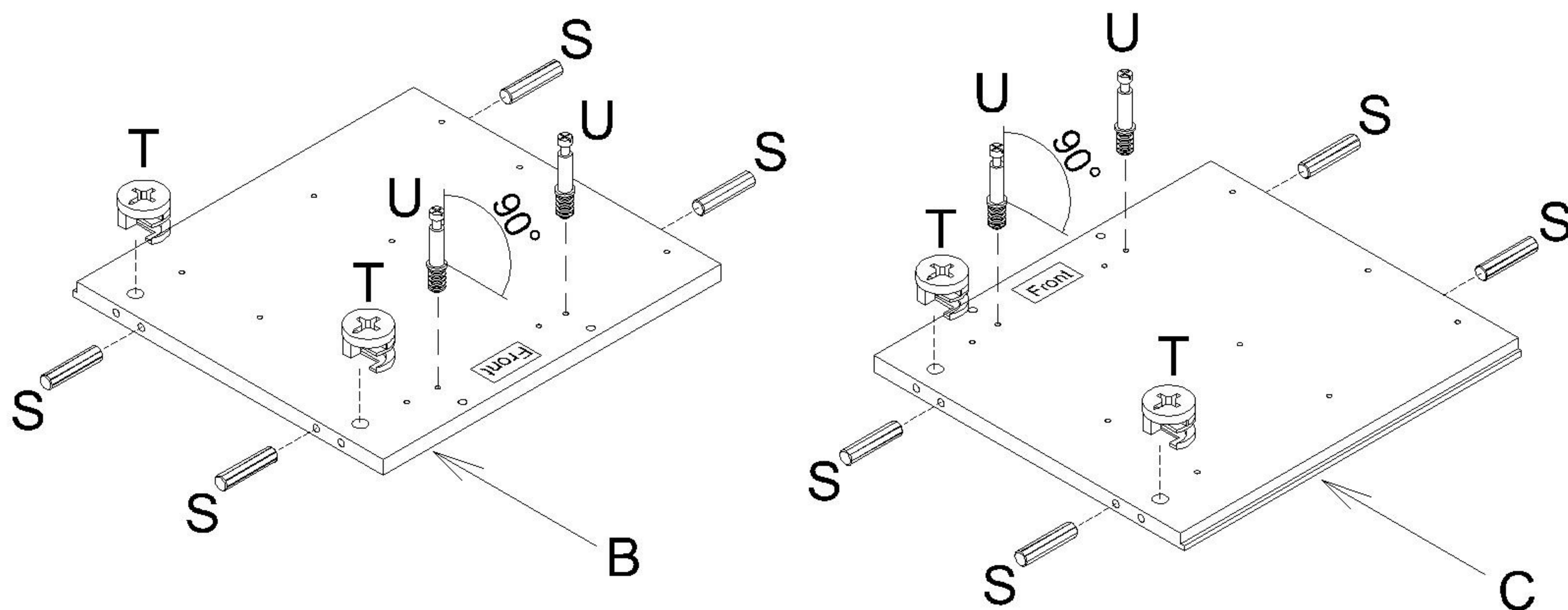
1

Attach Cam Bolt (U) to Top Panel (A).

**2**

Attach Dowel (S), Cam Lock (T) and Cam Bolt (U) to Left & Right Side Panel (B & C).

NOTE : - Make sure arrows on each Cam Lock (T) points towards nearest edge with holes.

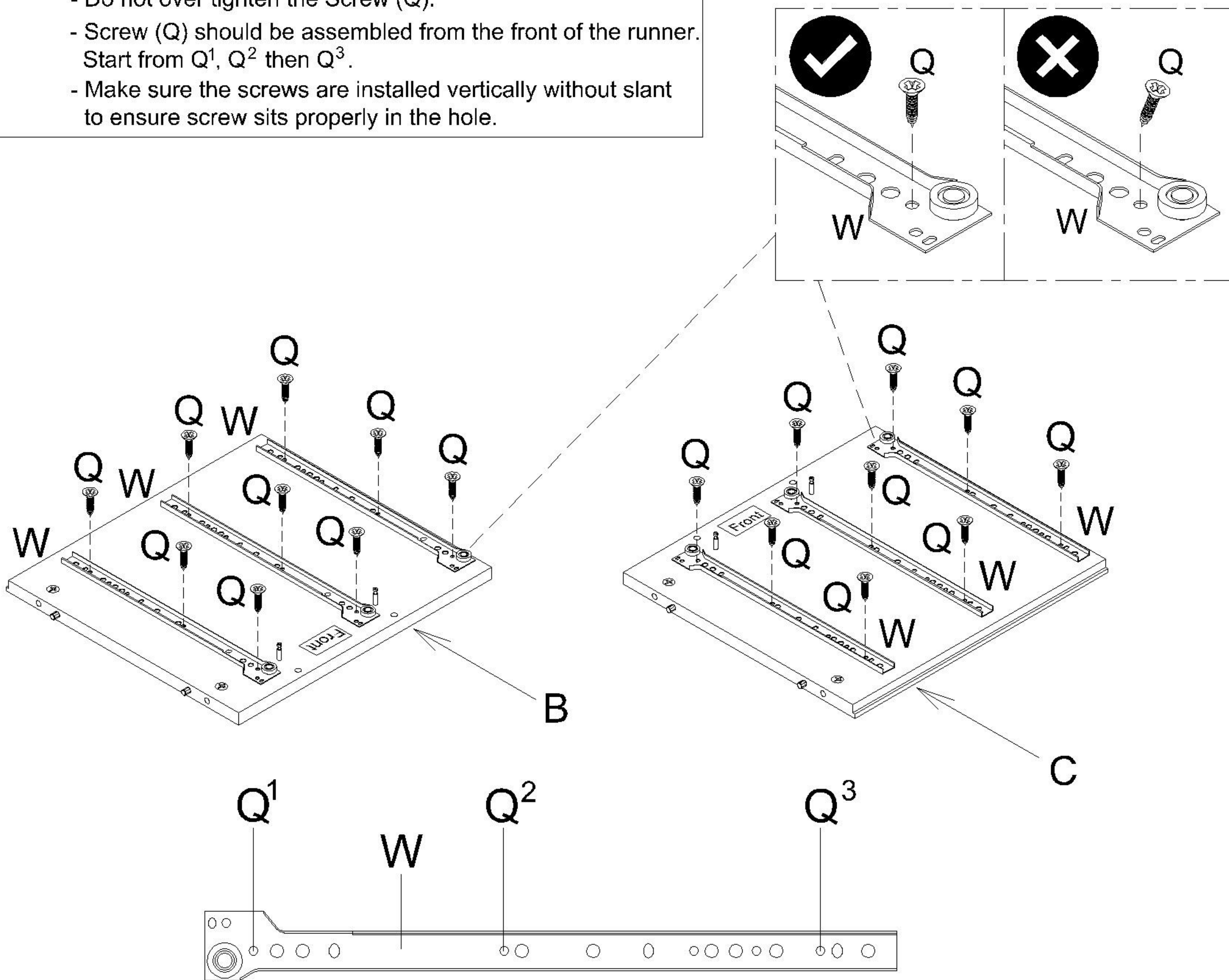
**3**

3

Attach Runner (W) to Left & Right Side Panel (B & C) and secure with Screw (Q).

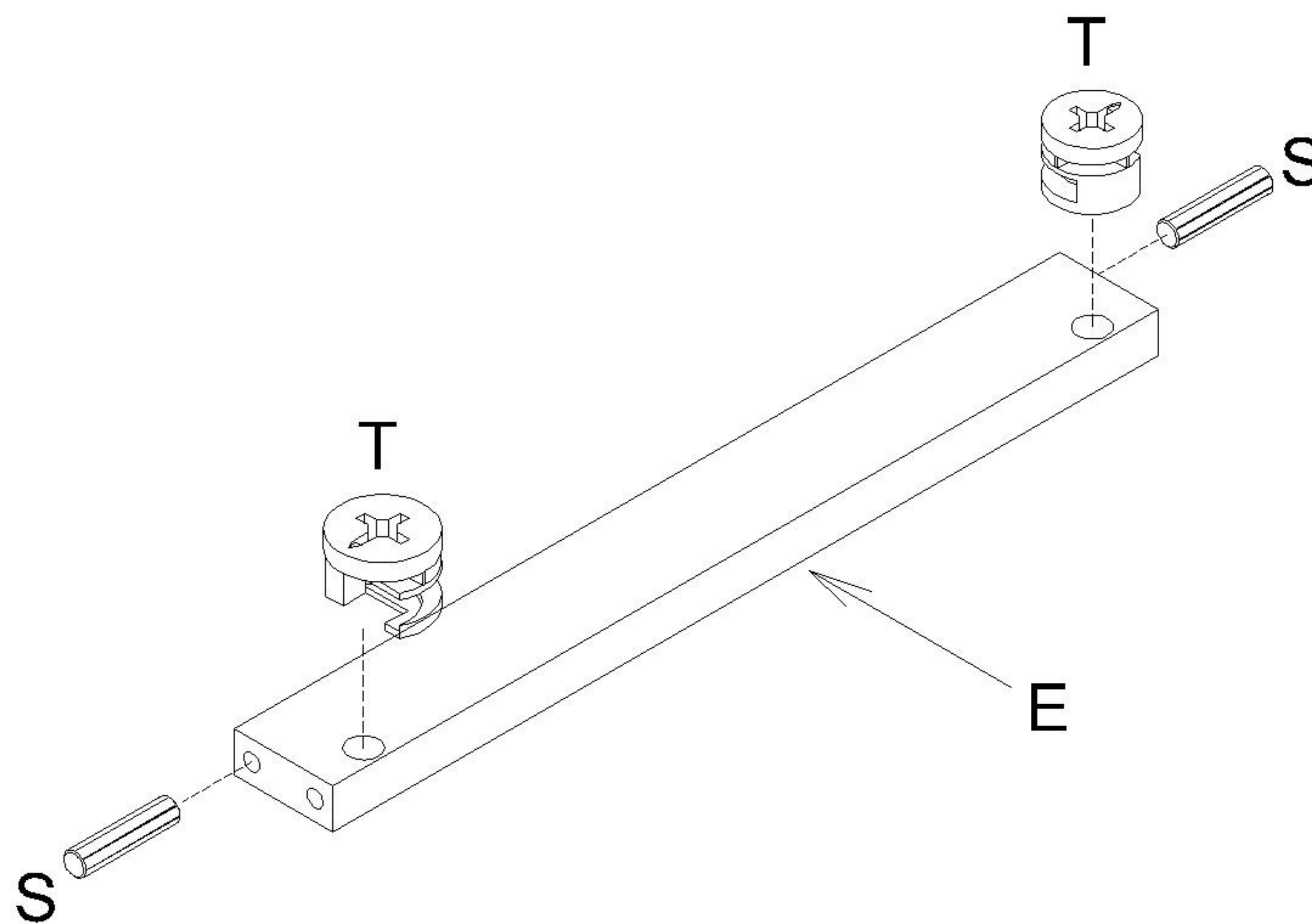
NOTE : - Runner roller should be towards the front of the panel.

- Do not over tighten the Screw (Q).
- Screw (Q) should be assembled from the front of the runner. Start from Q¹, Q² then Q³.
- Make sure the screws are installed vertically without slant to ensure screw sits properly in the hole.

**4**

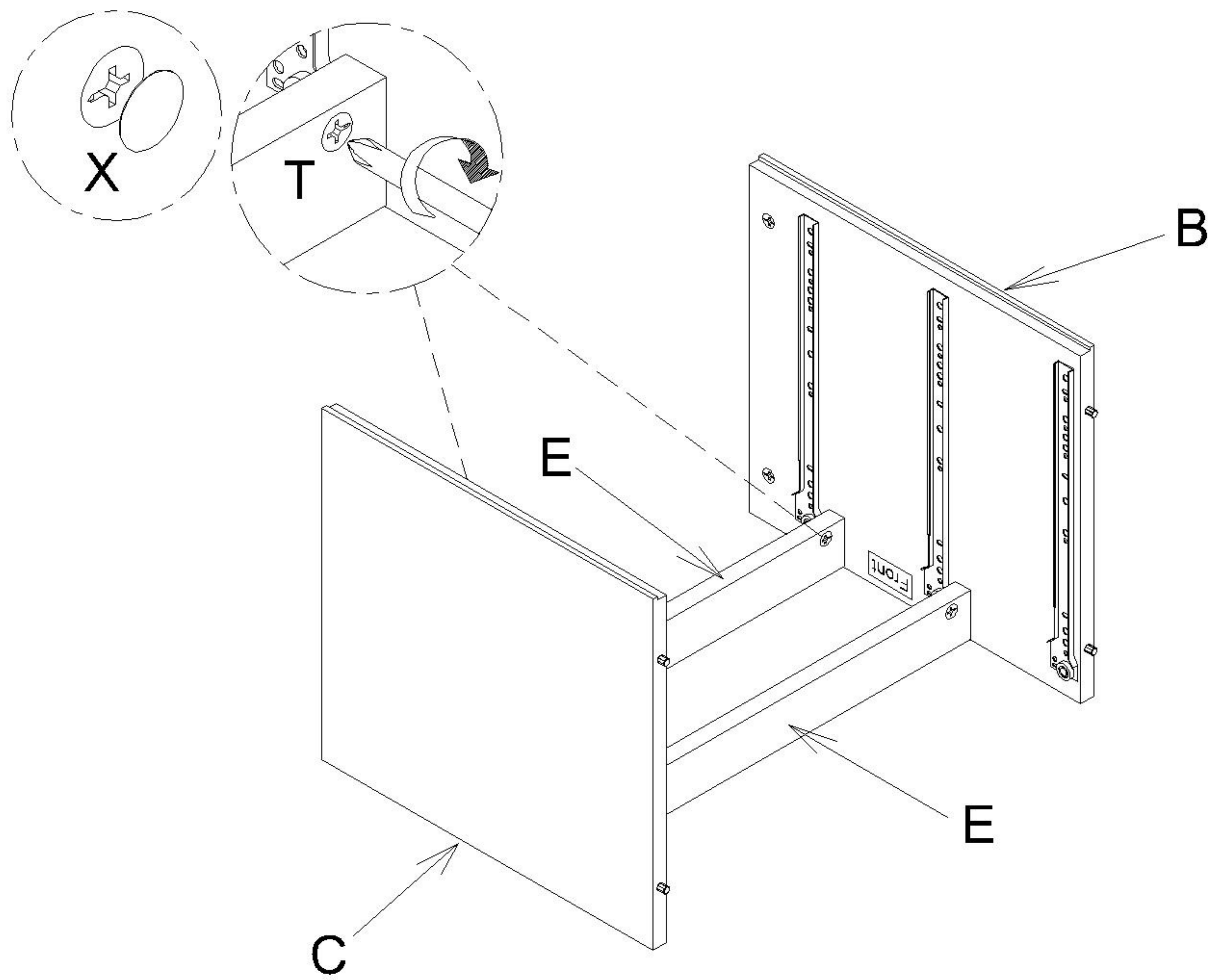
Attach Dowel (S) and Cam Lock (T) to Center Bar (E).

NOTE : - Make sure arrows on each Cam Lock (T) points towards nearest edge with holes.



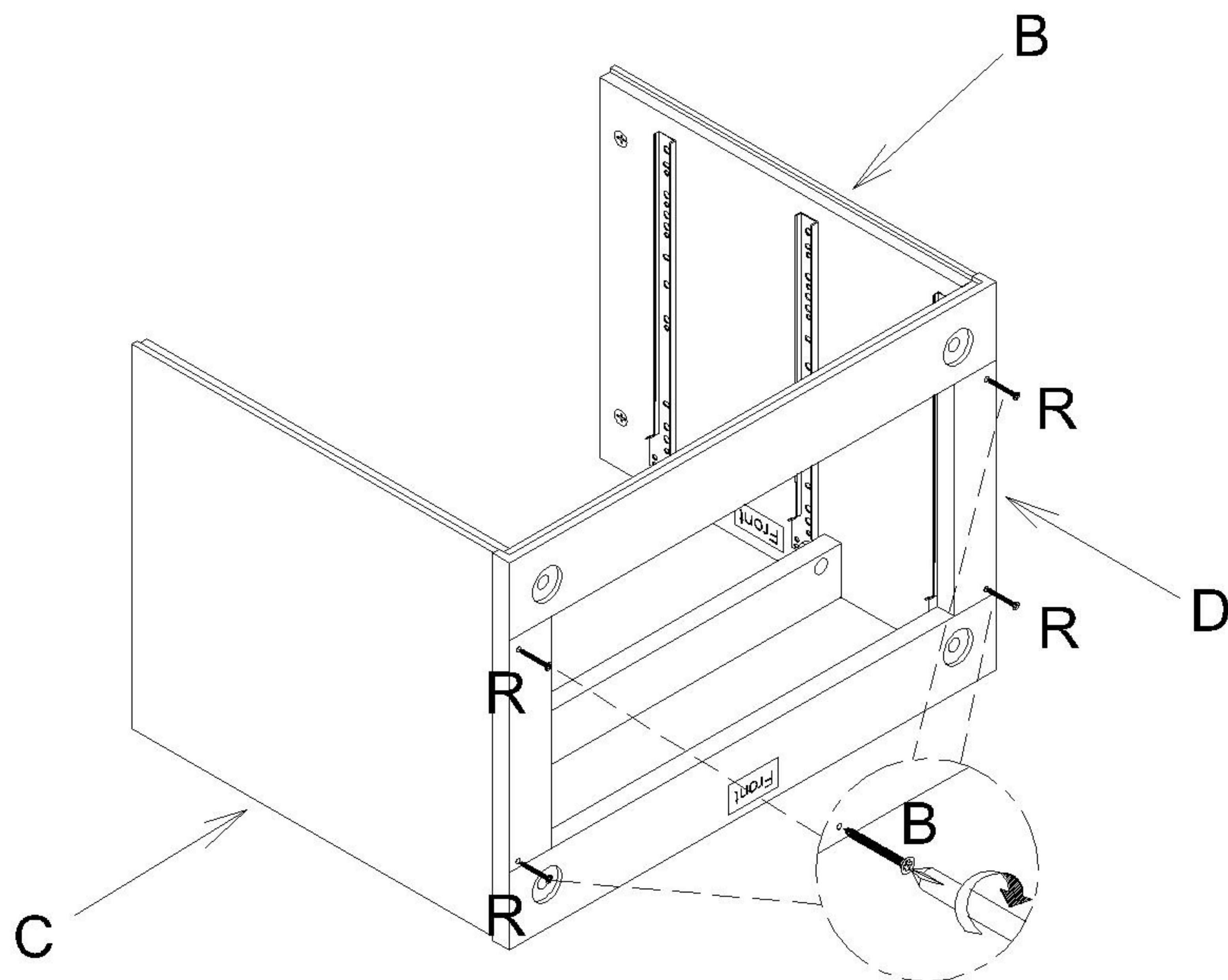
5 Attach Center Bar (E) to Left & Right Side Panel (B & C) and secure with the Cam Lock (T) attached in the Step 2. Cover Cam Lock (T) with Cam Lock Cover (X).

NOTE : - Do not over tighten the Cam Lock (T).



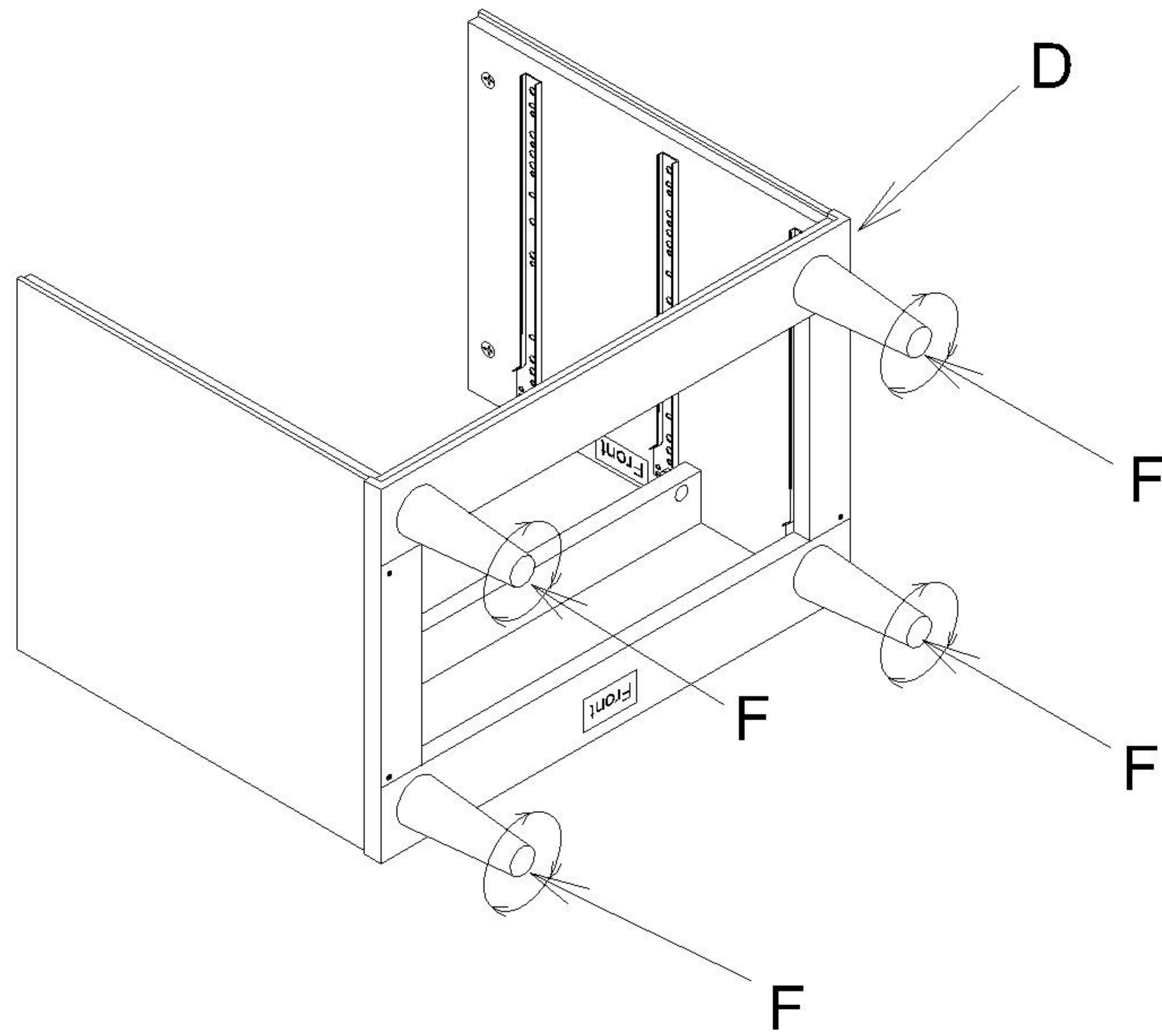
6 Attach Left & Right Side Panel (B & C) to Bottom Frame (D) and secure with Screw (R).

NOTE : - Do not over tighten the Screw (R).



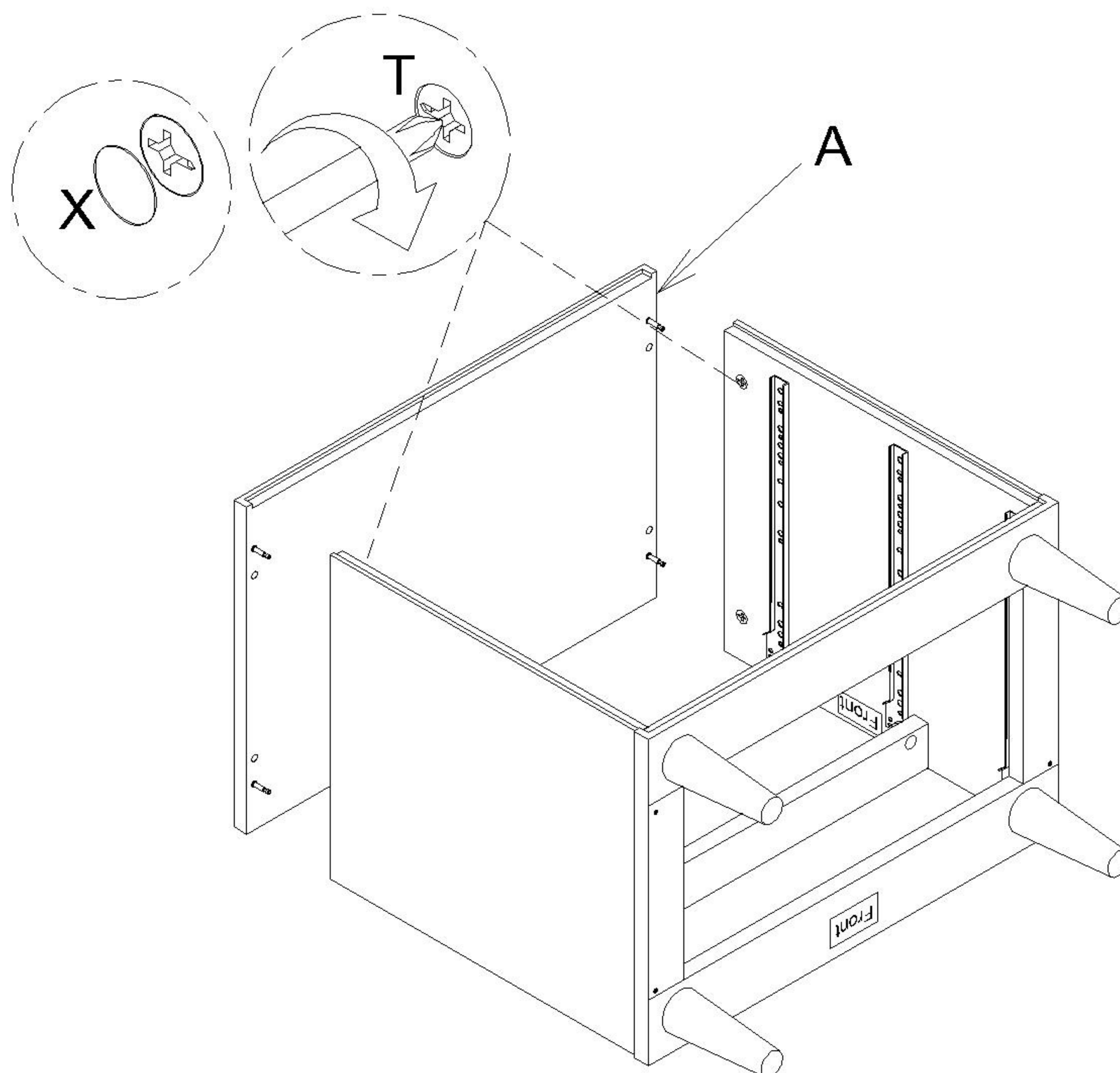
7

Attach Leg (F) to Bottom Frame (D) and turn each clockwise until it securely engaged.

**8**

Attach Top Panel (A) to assembled unit and secure with Cam Lock (T). Cover Cam Lock (T) with Cam Lock Cover (X).

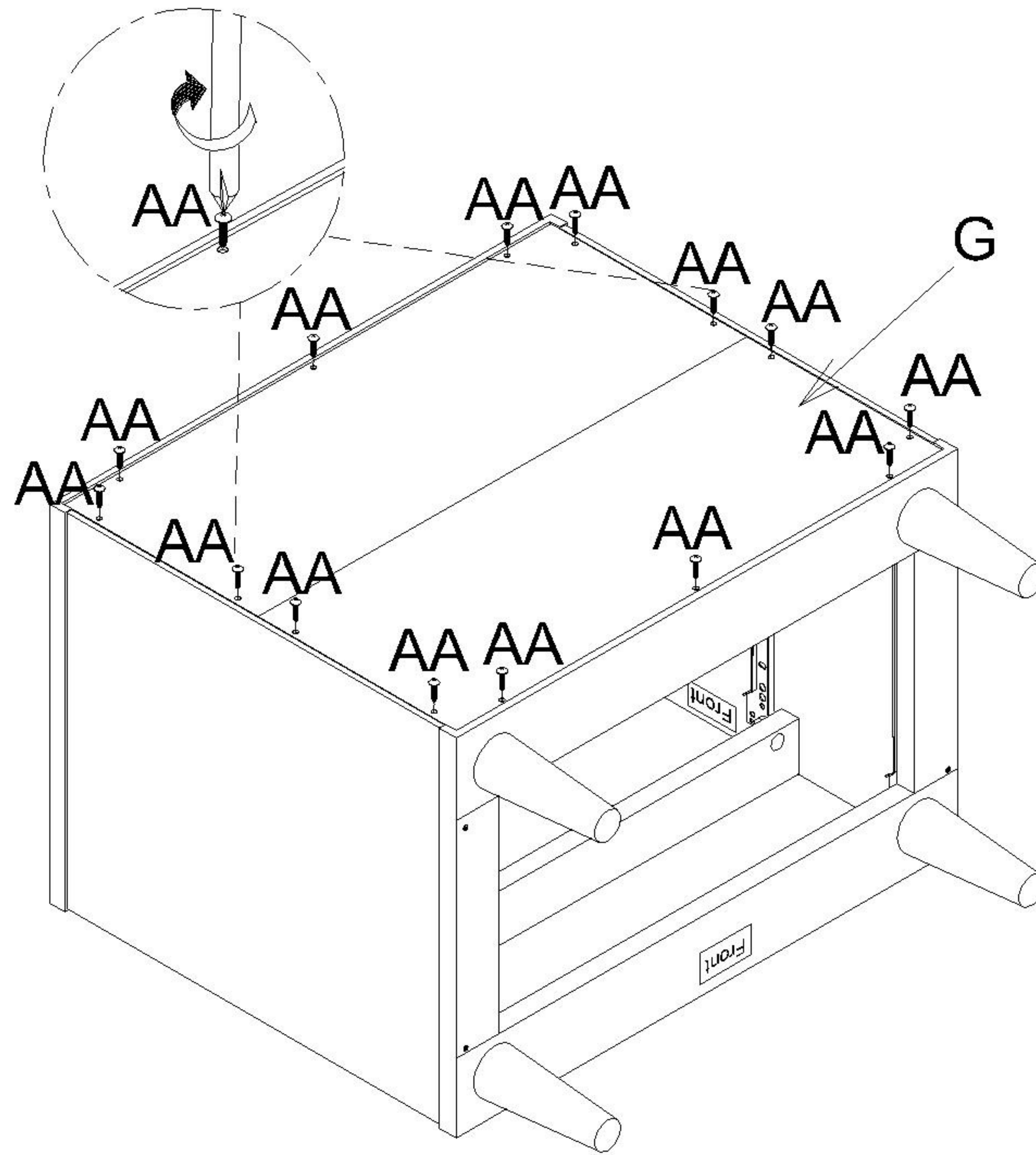
NOTE : - Do not over tighten the Cam Lock (T).



9

Attach Back Plywood (G) to assembled unit and secure with Panhead Screw (AA).

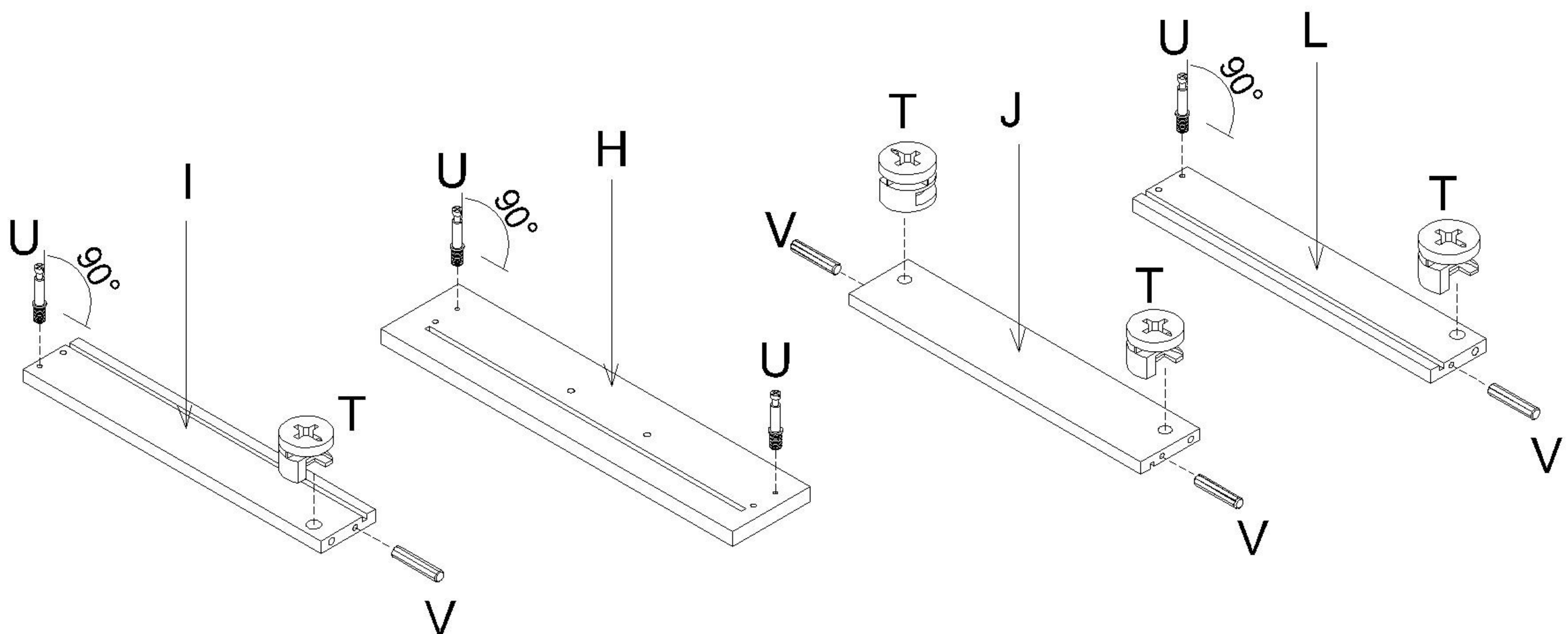
NOTE : - Do not over tighten the Panhead Screw (AA).



10

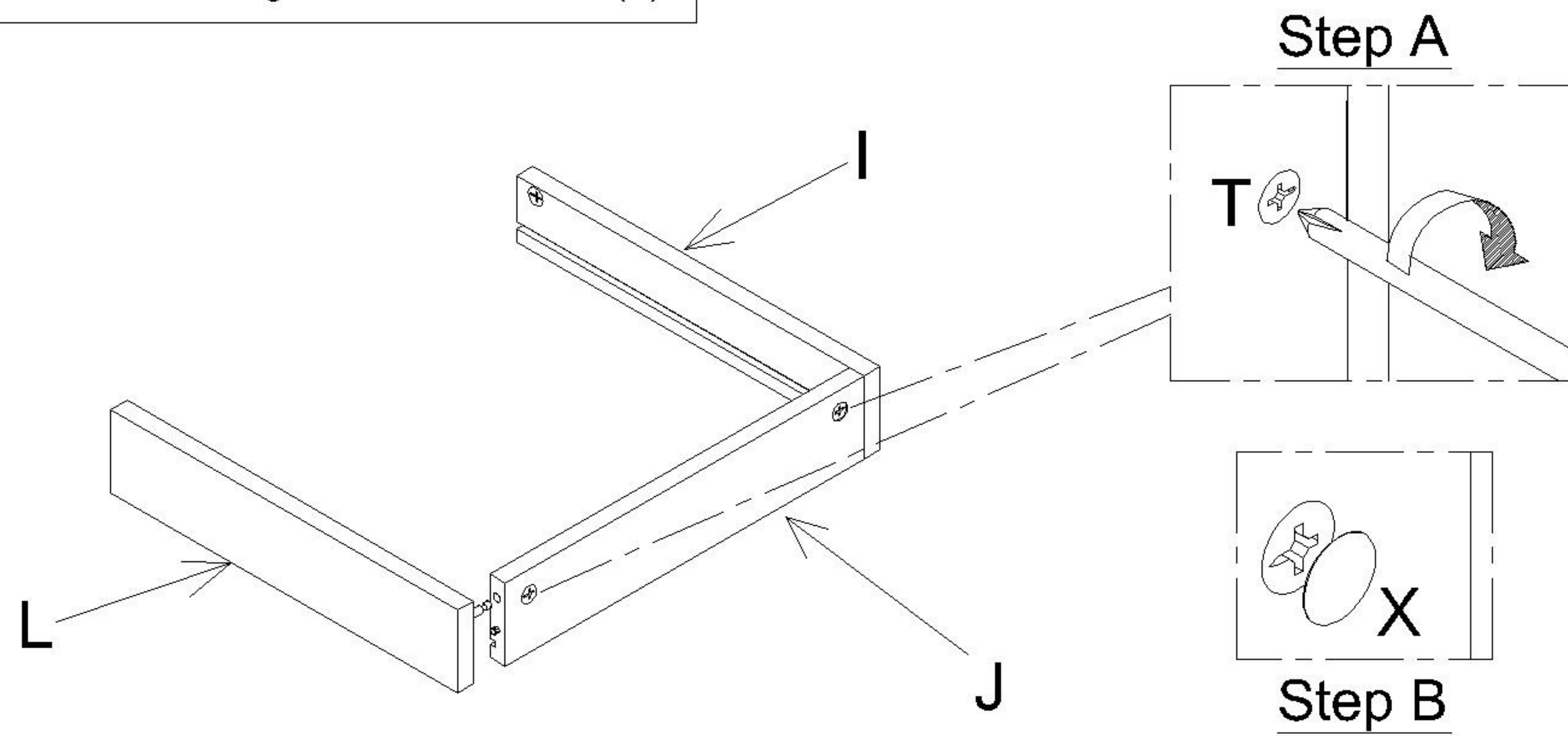
Attach Dowel (V) and Cam Lock (T) to Left & Right Small Drawer Side (I & L) and Small Drawer Back (J). Attach Cam Bolt (U) to Left & Right Small Drawer Side (I & L) and Small Drawer Front (H).

NOTE : - Make sure arrows on each Cam Lock (T) points towards nearest edge with holes.



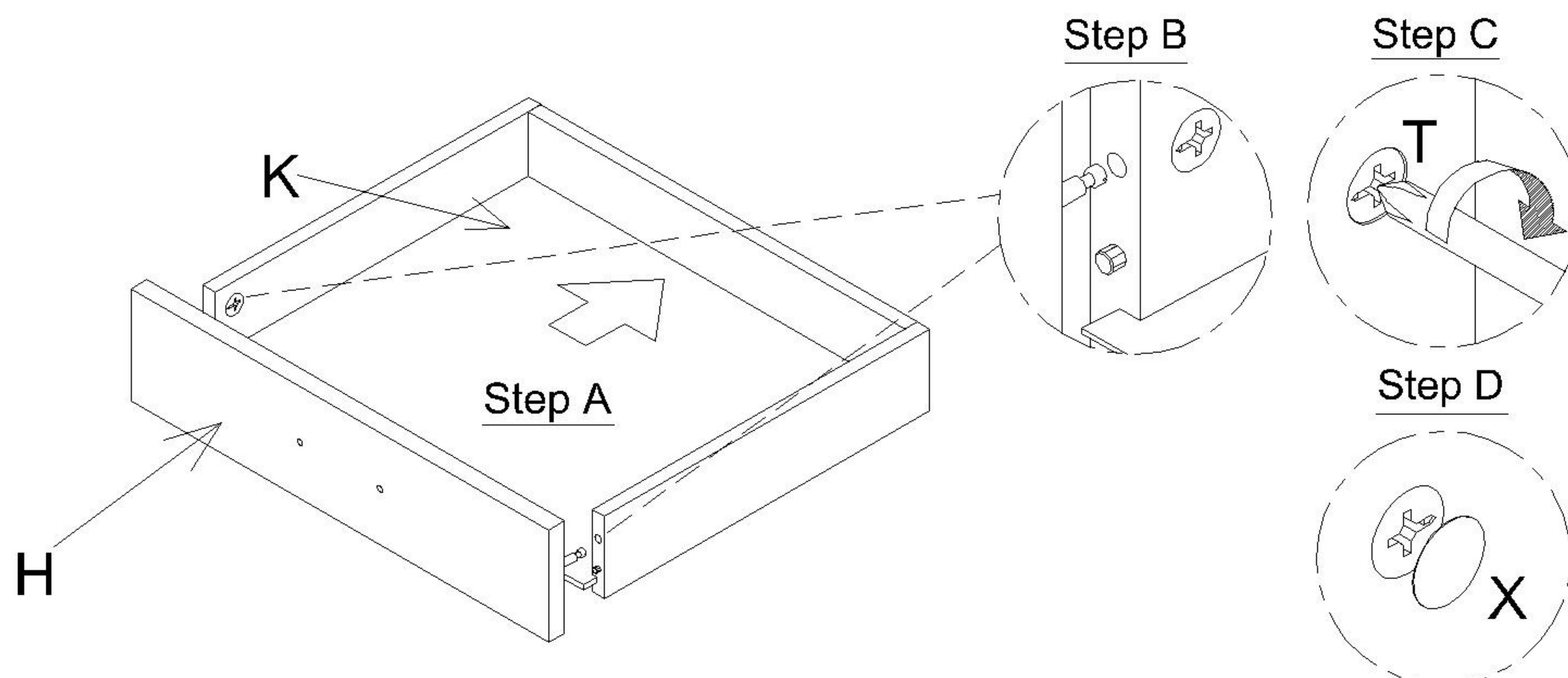
11 Attach Left & Right Small Drawer Side (I & L) to Small Drawer Back (J) and secure with the Cam Lock (T) attached in the Step 10. Cover Cam Lock (T) with Cam Lock Cover (X).

NOTE :- Do not over tighten the Cam Lock (T).

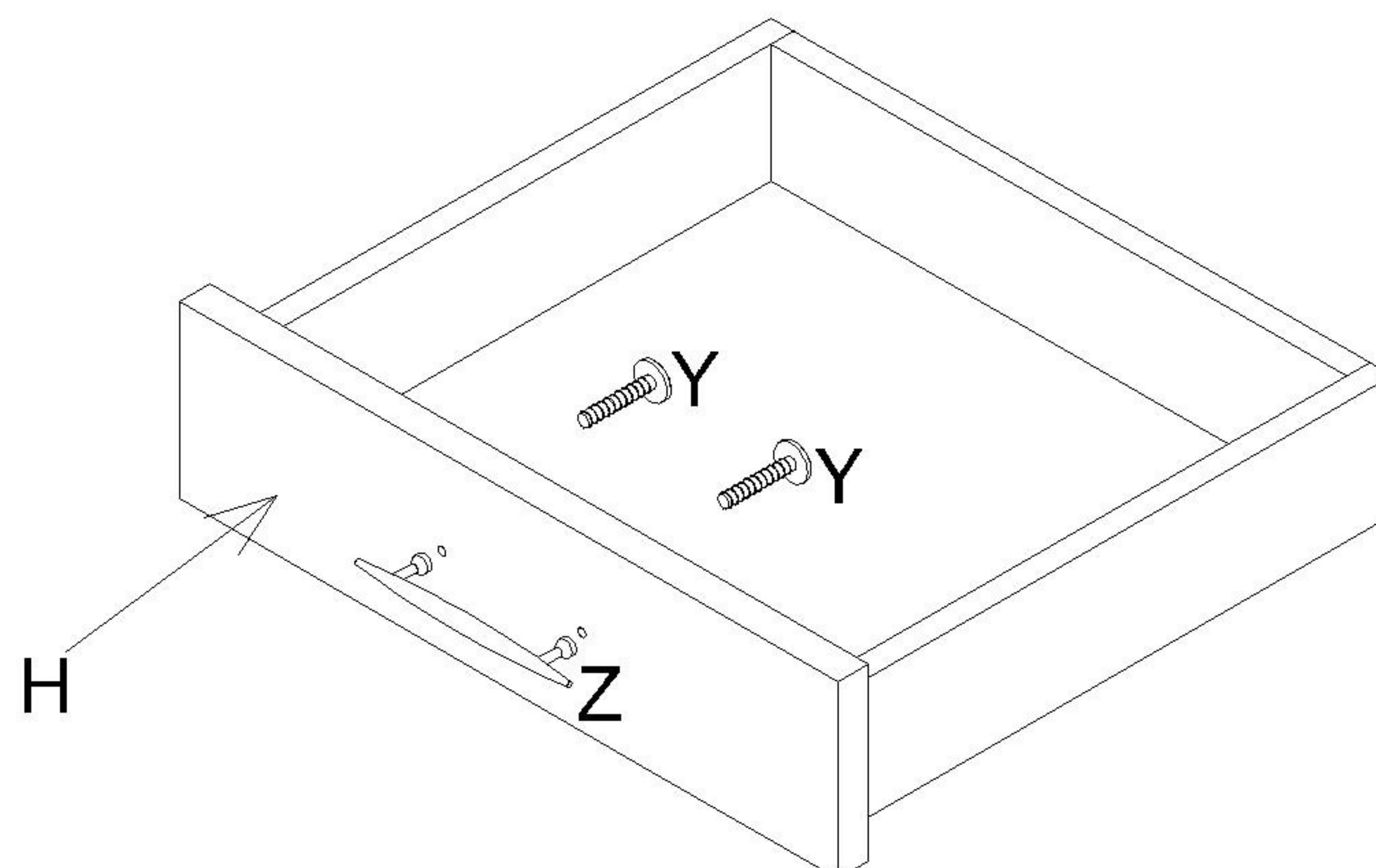


12 Slot Drawer Base (K) into corresponding grooves. Attach Small Drawer Front (H) to Drawer Box and secure with the Cam Lock (T) attached in the Step 10. Cover Cam Lock (T) with Cam Lock Cover (X).

NOTE :- Do not over tighten the Cam Lock (T).

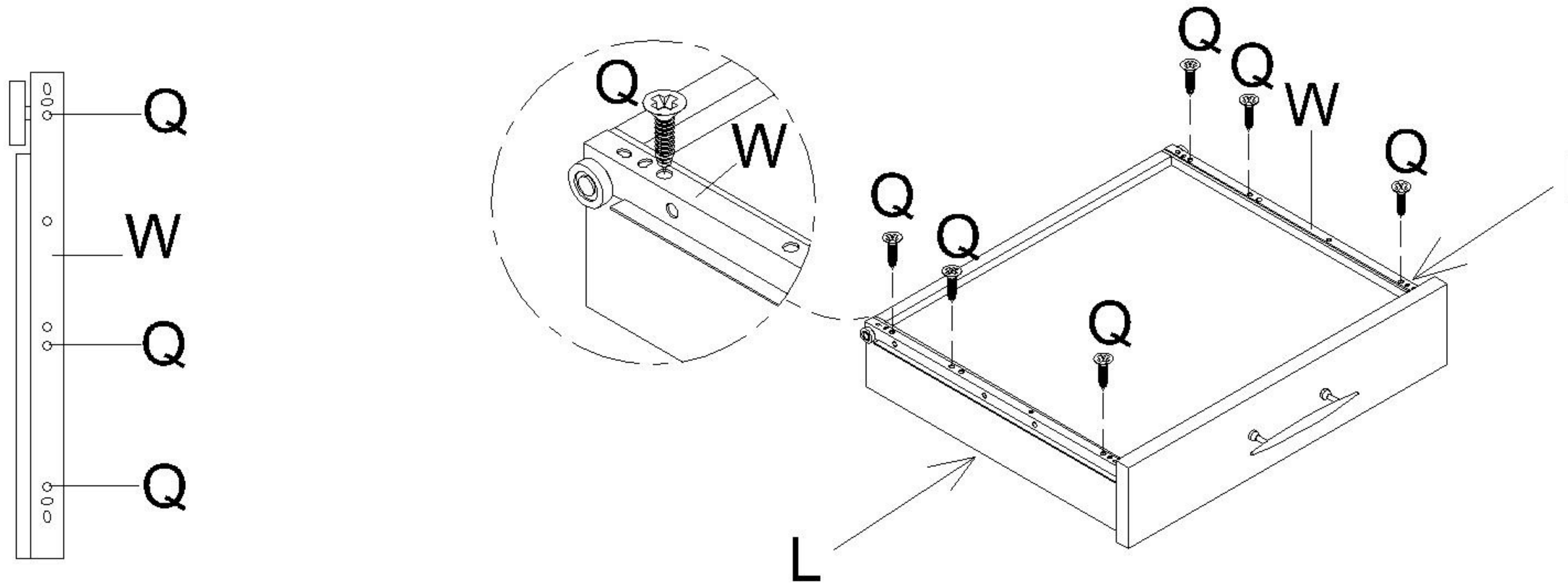


13 Attach Handle (Z) to Small Drawer Front (H) and secure with Panhead Screw (Y).



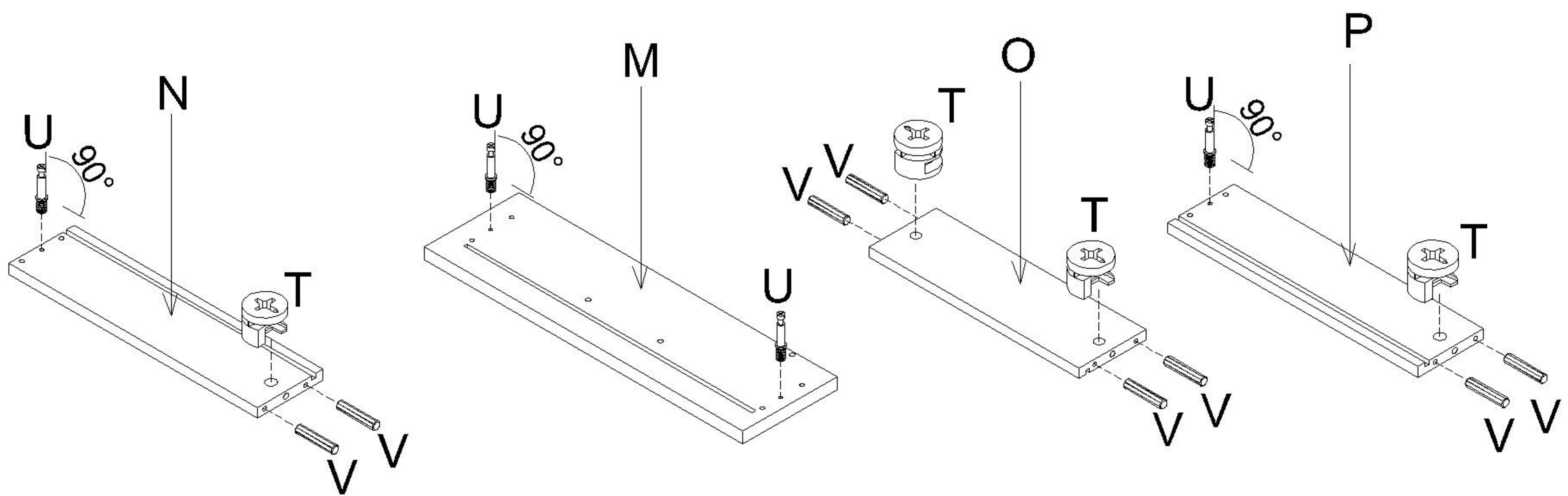
14 Turn over the Drawer Box. Attach Runner (W) to Left & Right Small Drawer Side (I & L) and secure with Screw (Q).

NOTE : - Runner roller should be flush and towards the back of the Drawer Box.



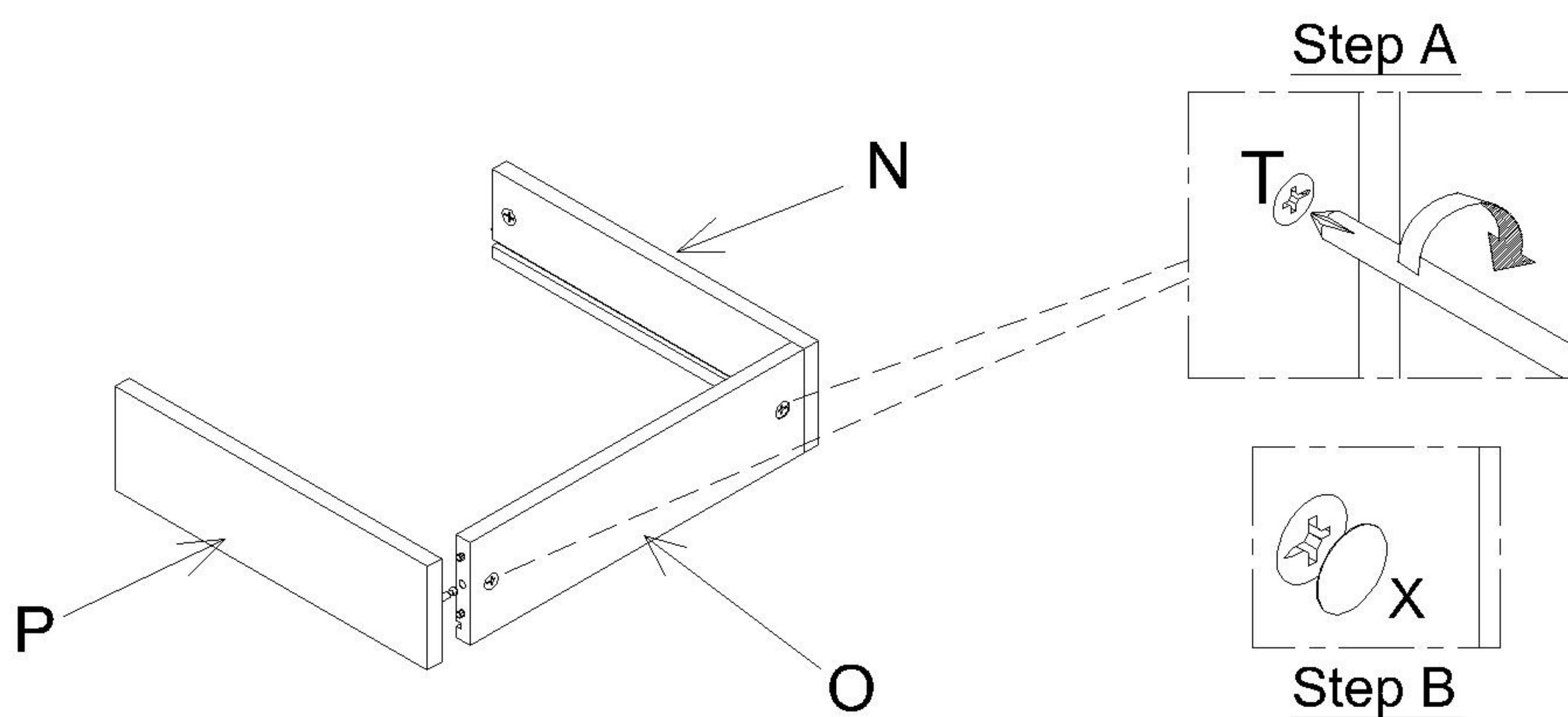
15 Attach Dowel (V) and Cam Lock (T) to Left & Right Big Drawer Side (N & P) and Big Drawer Back (O). Attach Cam Bolt (U) to Left & Right Big Drawer Side (N & P) and Big Drawer Front (M).

NOTE : - Make sure arrows on each Cam Lock (T) points towards nearest edge with holes.



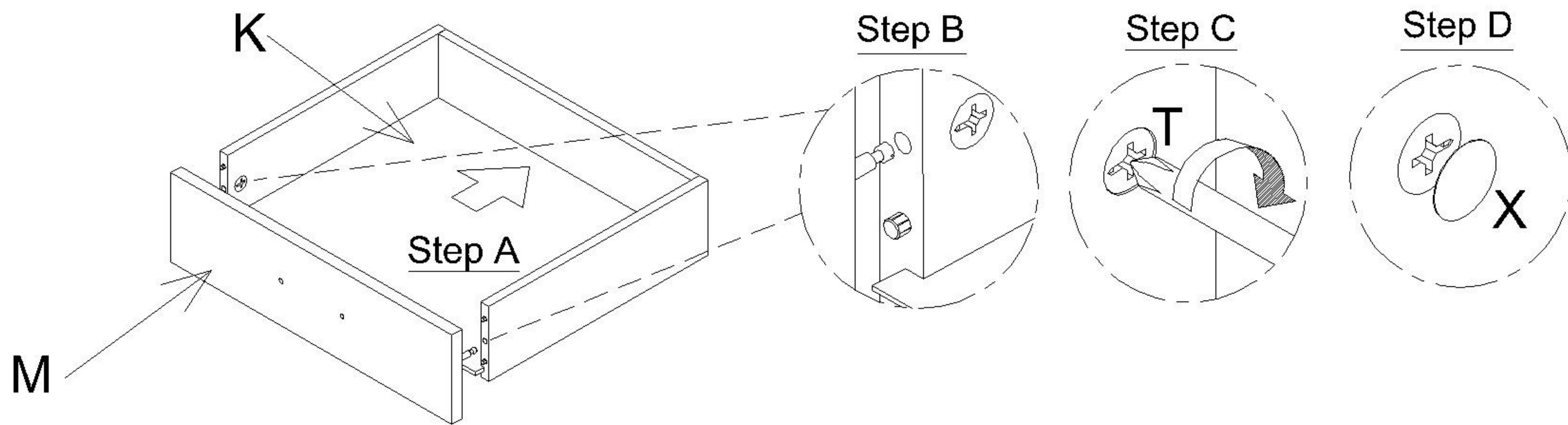
16 Attach Left & Right Big Drawer Side (N & P) to Big Drawer Back (O) and secure with Cam Lock (T). Cover Cam Lock (T) with Cam Lock Cover (X).

NOTE : - Do not over tighten the Cam Lock (T).

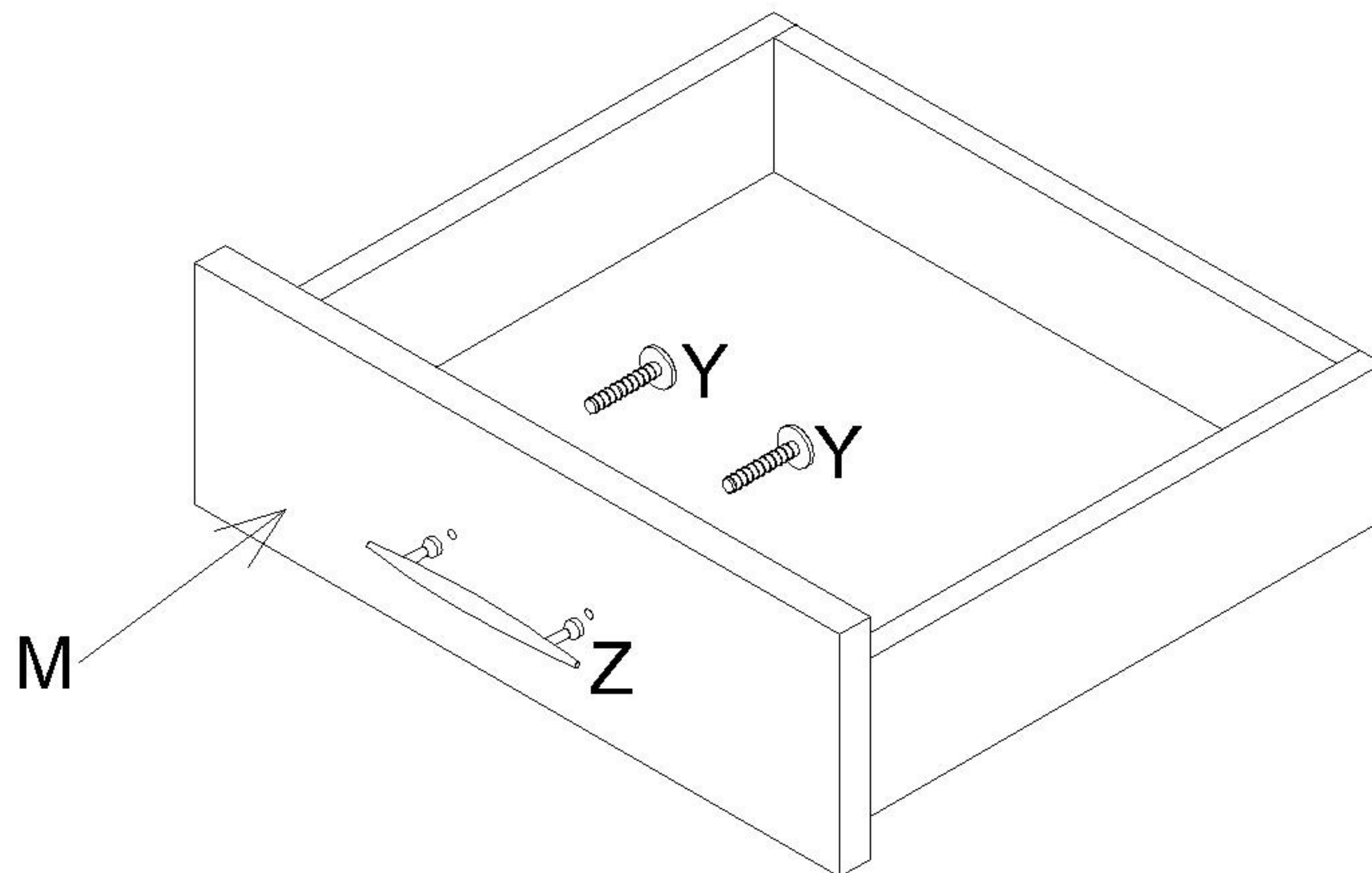


17 Slot Drawer Base (K) into corresponding grooves. Attach Big Drawer Front (M) to Drawer Box and secure with the Cam Lock (T) attached in the Step 15. Cover Cam Lock (T) with Cam Lock Cover (X).

NOTE : - Do not over tighten the Cam Lock (T).

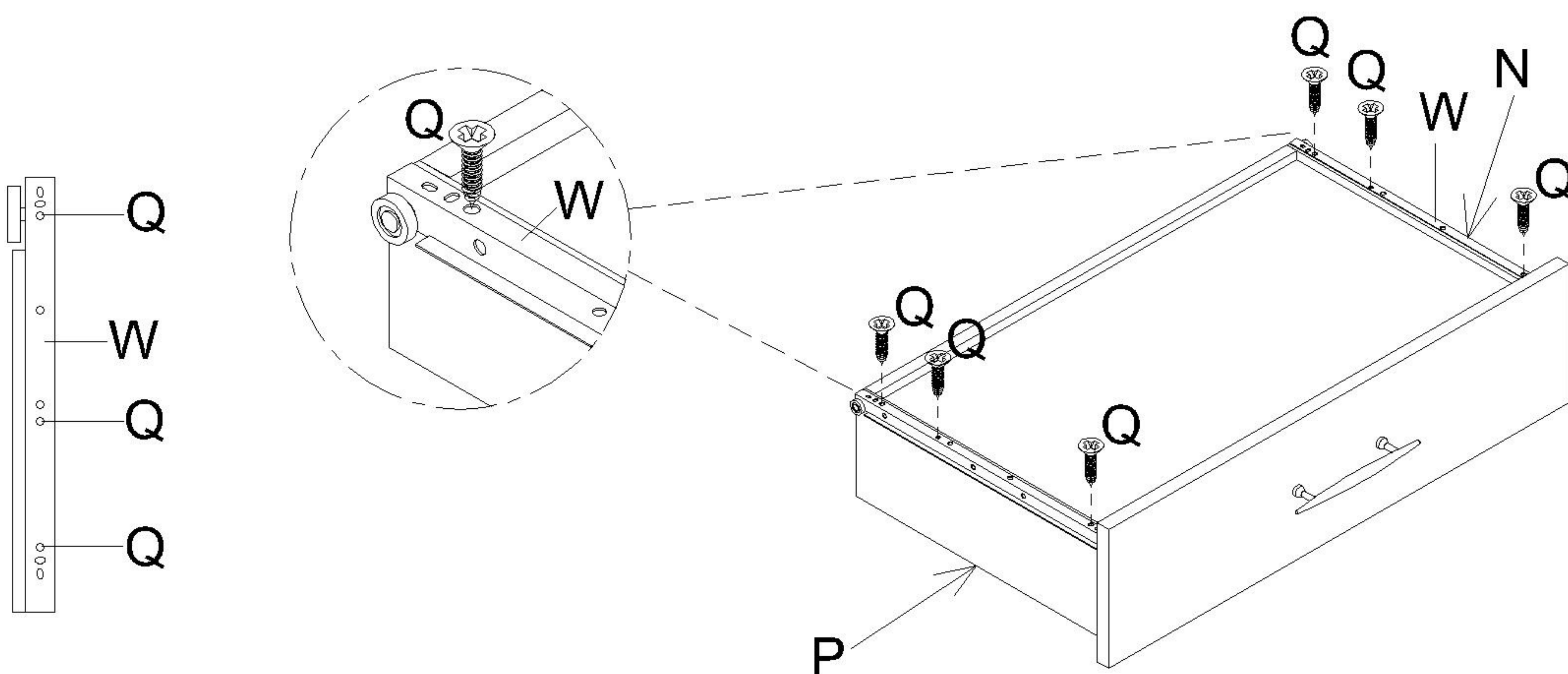


18 Attach Handle (Z) to Big Drawer Front (M) and secure with Panhead Screw (Y).



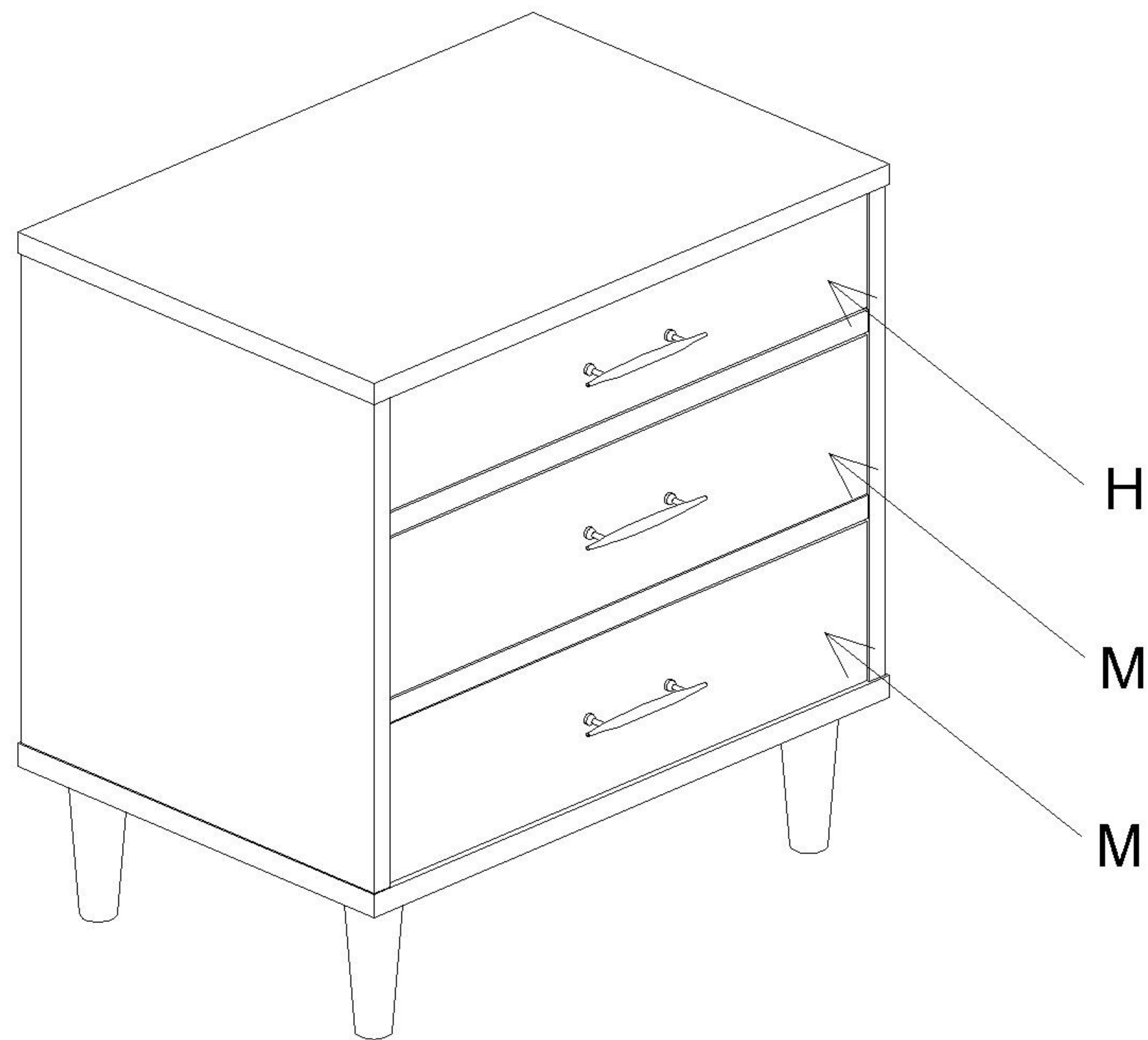
19 Turn over the Drawer Box. Attach Runner (W) to Left & Right Big Drawer Side (N & P) and secure with the Screw (Q).

NOTE : - Runner roller should be flush and towards the back of the Drawer Box.



20

Stand the assembled unit up. Slot Drawers into assembled unit.



Cleaning & Care

Treat surface with care. Surface is resistant to scratches but is not scratch resistant. Clean surfaces with a dry or damp soft cloth. Do not use abrasive cleaners. Hardware may loosen over time. Periodically check that all connections are tight.