

Features:

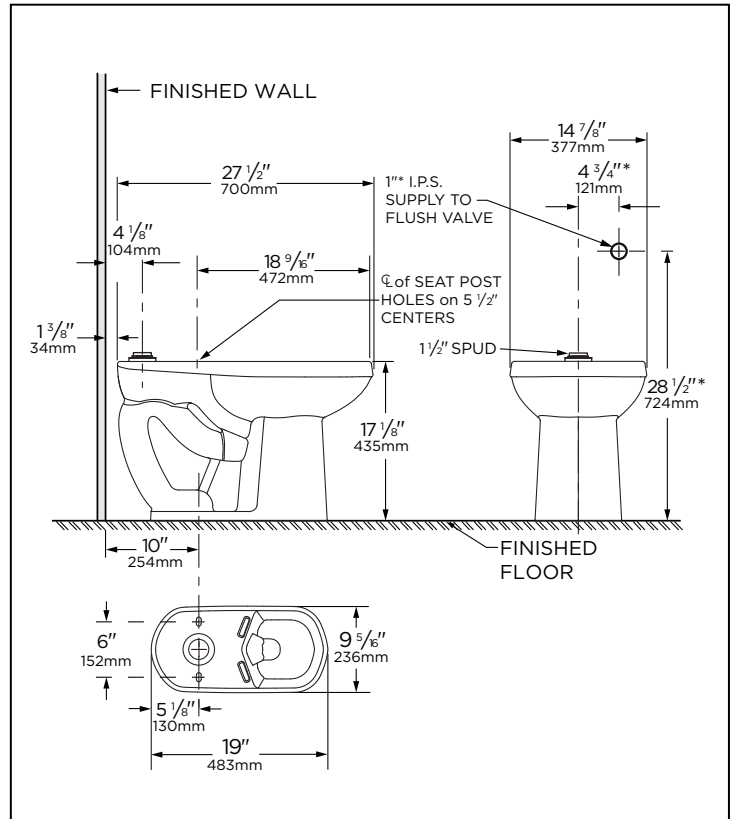
G0025733

- Vitreous China
- 1.1gpf or 1.28gpf High Efficiency or 1.6gpf Low Consumption
- ADA compliant
- ErgoHeight™ Elongated top Spud Bowl
- Siphon Jet
- Spud G0099255 1-1/2" X 1-1/2" for Flushometer Valve Included
- Top Spud
- Flushometer Valve not Included
- Toilet seat not Included



Technical Information:

Configuration	ErgoHeight™ ADA Elongated Top Spud Bowl
Water per Flush	1.1/1.28/1.6 gpf (4.1/4.8/6.0 Lpf)
Rough-In	10"
Height	17 1/8"
Width	14 7/8"
Depth	27 1/2"
Trapway	2"
Large Water Surface	8 11/16" x 6 5/16"
Shipping weight Bowl	52.5 lbs



Accessories To Be Purchased Separately:

N/A

Available Colors:

- White
- Other: Refer to Price Book for additional colors/finishes

Warranty:

- Limited Lifetime on Vitreous China, refer to the website for more details.



HIGH EFFICIENCY TOILET

HET



NOTES: All dimensions are in inches and millimeters. Illustrations may not be drawn to scale.

*This measurement may vary. Use flush valve manufacturer's recommended rough-in.

RECOMMENDED STATIC WATER PRESSURE FOR PLUMBING FIXTURES IS 20 - 80 PSI STATIC PER ASME STANDARD A112.19.2/CSA B45.1

IMPORTANT:

Dimensions of fixtures are nominal and may vary within the range of tolerances established by ASME standard A112.19.2/CSA B45.1

THIS FIXTURE QUALIFIES ACCORDING TO ASME TEST PROCEDURES AS EITHER AS HIGH EFFICIENCY WATER CLOSET WITH AN AVERAGE CONSUMPTION OF 1.1 gpf (4.1 Lpf), OR 1.28 gpf (4.8 Lpf), OR A LOW CONSUMPTION WATER CLOSET WITH AN AVERAGE CONSUMPTION OF 1.6 gpf (6.0 Lpf). WATER CLOSET CONSUMPTION IS DETERMINED BY THE FLUSHOMETER VALVE.