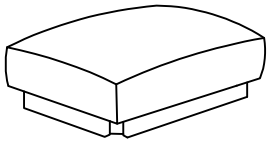


ASSEMBLY INSTRUCTION

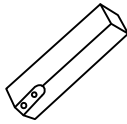
MISSION OTTOMAN

A Seat Cushion



1 PC

B Wood Leg



4 PCS

C JCBC Bolt
M6 x 50mm



8 PCS

D Washer
M6 x 18mm

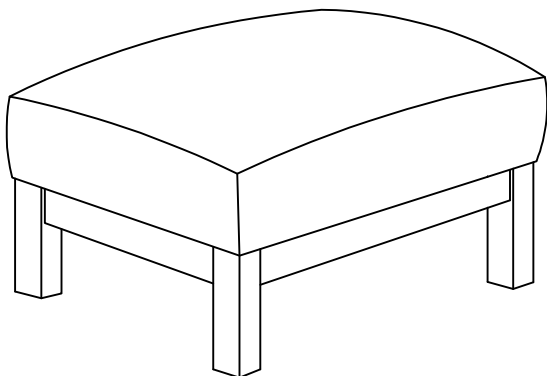


8 PCS

E Allen Key
M4 x 60mm

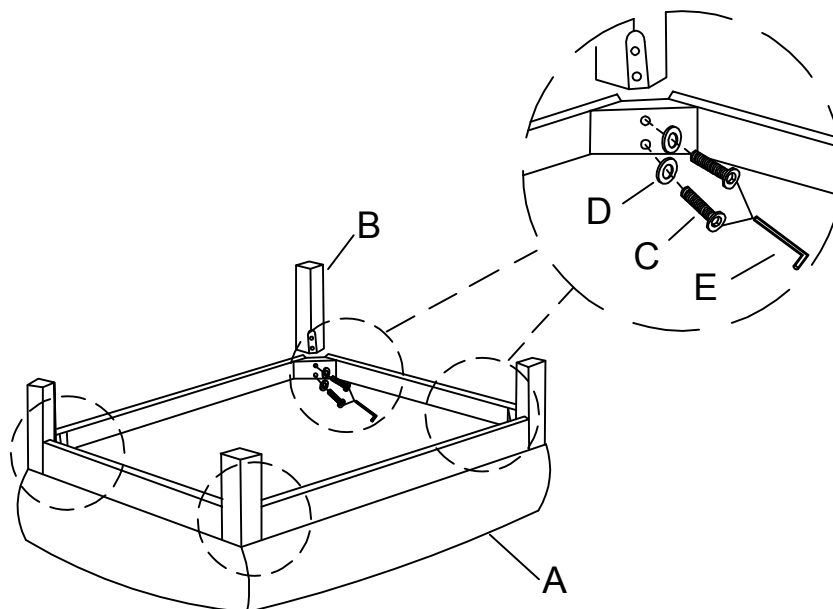


1 PC



This page lists all the contents included in the box. Please take the time to identify the hardware as well as the individual components to this product. As you unpack and prepare for assembly, place the contents on a carpeted or padded area to protect them from damage.

-
- 1** Attach the Wood Leg (B) to the Seat Cushion (A) using JCBC Bolt (C) and Washer (D) with Allen Key (E).



Cleaning & Care

Treat surfaces with care. Surfaces are resistant to scratches but are not scratch resistant. Clean surfaces with a dry or damp soft cloth. Do not use abrasive cleaners. Hardware may loosen over time. Periodically check that all connections are tight.