



# CONTENTS

---

Precautions.....	1
How to Handle Discs.....	1
Lithium Battery Cell Warnings.....	1
Installation .....	2
Prepare Radio.....	2
Mount Radio.....	2-3
Wiring Connections.....	3
Removal of the Main Unit.....	3
Control Panel Button Locations.....	4
General Operation.....	5
Turn Unit On/Off.....	5
Adjust Volume (VOL).....	5
Adjust Menu Options (SEL).....	5
Set the Clock (CLK).....	5
Mute On/off (MUTE).....	5
Change the Source (SRC).....	5
Loudness On/off (LOUD).....	5
Preset Equalizer (EQ).....	5
Reset System (RESET).....	5
Radio Operation .....	6
Switch Between US and EU Frequency .....	6
Change Bands (BAND).....	6
Manual Tuning (◀◀ / ▶▶).....	6
Auto Seek Tuning (◀◀ / ▶▶).....	6
Automatic Music Search (AMS).....	6
Store/Recall Preset Stations (1 - 6) .....	6
Local/DX (LOC).....	6
Stereo/Mono (ST).....	6
Disc/USB/Card Operation.....	7
Insert Disc/USB/SD.....	7
Eject Disc/USB/SD.....	7
Play/Pause.....	7
Next/Previous Track.....	7
Fast Forward/Backward.....	7
Track Search.....	8
Track/Folder Navigation.....	8
Auxiliary Input Operation.....	8
Bluetooth Operation.....	9
Pair and Connect.....	9
Make a Call.....	9
Redial Last Dialed Number .....	9
Answer a Call.....	9
End a Call.....	9
Switch Audio Between Car and Phone .....	9
Adjust Talk Volume.....	9
Audio Streaming (A2DP).....	9
Remote Control .....	10
Remove Insulating Sheet.....	10
Replace Lithium Battery Cell.....	10
Button Names and Locations.....	11
Troubleshooting.....	12
Specifications .....	13

---

# PRECAUTIONS

---

## How to Handle Discs

- Handle a disc by its edges. Do not touch the playing side.
- Before inserting a disc, wipe the disc outward from the disc center with a clean, soft, dry and lint-free cloth. Do not use solvents or thinners such as petrol/benzene or cleaners.
- After removing a disc from the disc slot, place the disc in a sleeve or case to keep it clean and prevent scratches.
- Do not stick paper or tape on the disc surface. If there is glue (or adhesive) on the disc surface, remove it before using the disc.



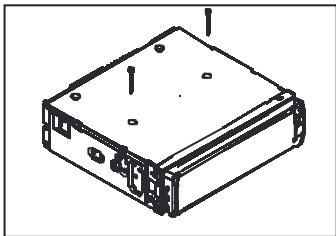
## Lithium Battery Cell Warnings

- Cell leakage may cause damage to the remote control.
- Do not throw cells into fire, as this may cause an explosion.
- Keep battery cells out of reach of children.

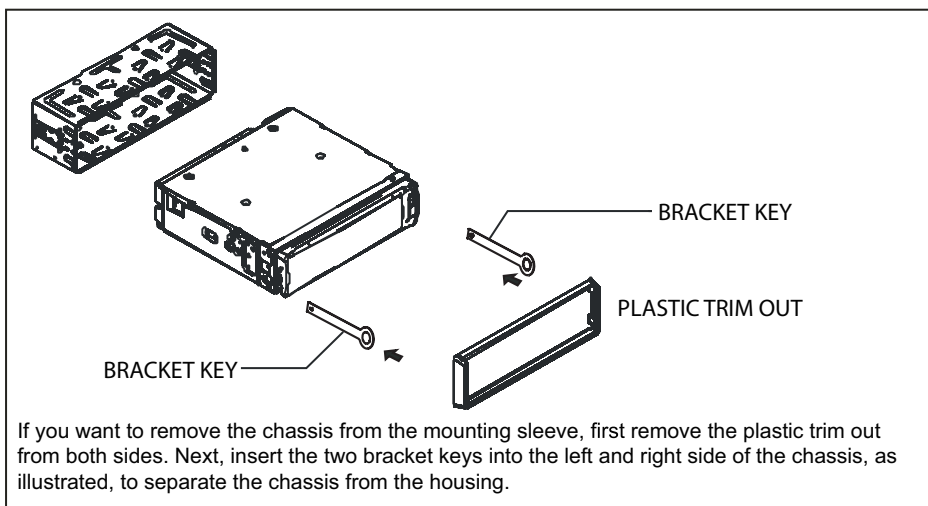
# INSTALLATION

## Prepare Radio

1. Before you begin, disconnect the battery negative terminal.
2. Remove the transport screws.



3. Remove chassis from the mounting sleeve.

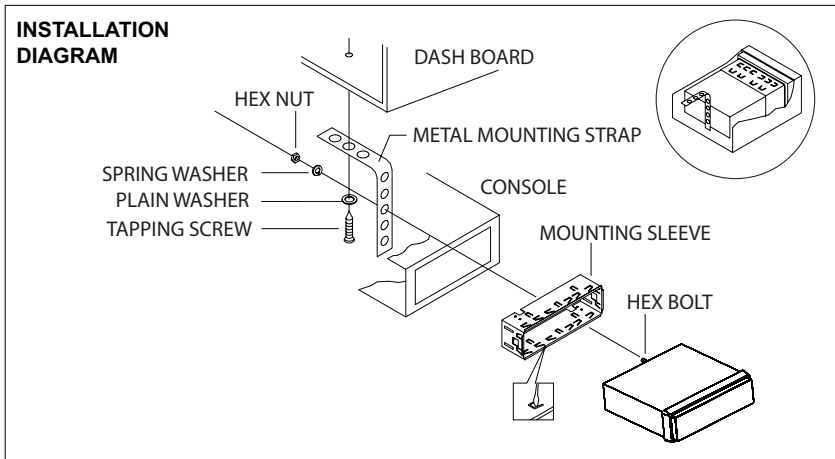


## Mount Radio

Refer to the "Installation Diagram" to install the unit.

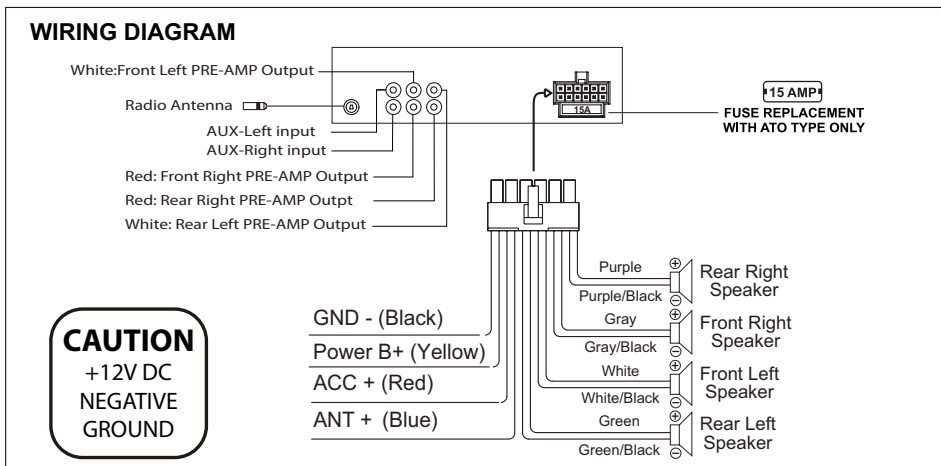
1. Bend the tabs on the mounting sleeve, where necessary, to ensure than the front part of the main unit will remain fixed into the vehicle dash opening.
2. Insert radio into the mounting sleeve.
3. Use a metal strap to secure the rear part of the chassis using the hardware indicated.
4. Make wiring connections, as illustrated in the "Wiring Diagram."
5. Install the plastic trim out.

# INSTALLATION (CONT.)



- Only use speakers with 4 ohm impedance.
- The maximum current of the Amp Remote trigger is 200mA.

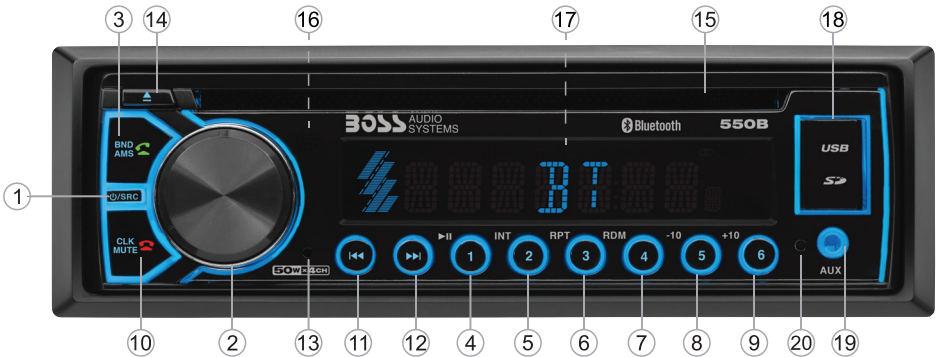
## Wiring Connections



## Removal of the Main Unit

1. Remove the metal strap from the main unit.
2. Remove the plastic trim out from the main unit.
3. Insert a bracket key into the left and right side of the main unit and draw the unit out of the mounting sleeve.

# CONTROL PANEL BUTTON LOCATIONS



1. ⏻ (power) / SRC (source) button
2. SEL (select/menu) button and VOL (volume) knob
3. BAND/AMS(automatic store station, automatic music search) and 📞 (answer call) button
4. ⏸ (pause/play), Preset station 1 button
5. INT (intro), Preset station 2 button
6. RPT (repeat), Preset station 3 button
7. RDM (random), Preset station 4 button
8. -10(previous 10 tracks), previous folder, Preset station 5 button
9. +10(next 10 tracks), next folder, Preset station 6 button
10. CLK (clock setting), MUTE button, 📞 (end call) button
11. ⏮ (tune/seek down, previous track, fast reverse) button
12. ⏭ (tune/ seek up, next track, fast forward) button
13. Hands-free Microphone
14. EJECT button
15. Disc slot
16. IR remote sensor
17. Display
18. USB Port / Micro SD Card slot
19. AUX IN (auxiliary input) jack
20. Reset button

# GENERAL OPERATION

---

## Turn Unit On/Off

Press the power (⏻) /SRC button to turn on the unit. Press and hold it to turn off the unit.

Press the power (⏻) button on the remote control to turn the unit on or off.

## Adjust Volume (VOL)

Rotate the **VOL** knob on the front panel or press the **VOL+/-** button on the remote control to increase or decrease the volume level.

## Adjust Menu Options (SEL)

- Press the **SEL** button repeatedly to cycle through the following adjustable audio functions: BASS, TREBLE, BALANCE, FADER, EQ OFF, LOUD OFF, DX, STEREO and VOLUME.
- Press and hold the **SEL** button to access these additional functions: VOL (LAS/ADJ), AREA EU/US, Clock 12/24, and BEEP ON/OFF.
- Rotate the **VOL** knob on the front panel or press the **VOL+/-** button on the remote control to adjust the selected item.

## Set the Clock (CLK)

1. To display clock time, press and hold the **CLK** button on front panel.
2. To set clock time, press and hold the **CLK** button and the hour will flash.
3. Press the **◀** or **▶** button or press the **NEXT** or **PREV** button to adjust the hour.
4. Press the **CLK** button and the minutes will flash.
5. Press the **◀** or **▶** button or press the **NEXT** or **PREV** button to adjust the minutes.
6. Finally press and hold the **CLK** button to confirm the time adjustments.

## Mute on/off (MUTE)

Press the **MUTE** button on the remote control to toggle mute on or off. The muted state will be also released, when the volume knob or **VOL+/-** button are used.

## Change the Source (SRC)

Press the **SRC** button to switch between RADIO, BT, DISC, USB, SD and AUX-IN modes.

## Loudness on/off (LOUD)

Press the **LOUD** button on the remote control to turn on the loudness to reinforce the output of bass frequencies, press again to turn it off.

## Preset Equalizer (EQ)

Press the **EQ** button on the remote control to choose a desired preset equalizer mode: OFF, FLAT, POP, ROCK, CLASS.

## Reset System (RESET)

The **RESET** button is used to reset all parameters to factory default settings.

This function may be used when the LCD does not display normally or sound is distorted, or when any of the controls are disabled. To reset your system, use a thin object with a pointed end to depress the **RESET** button.

# RADIO OPERATION

---

## Switch Between US and EU Frequency

In radio mode, press and hold the **VOL** button to select the AREA EU/US, then rotate it to switch between US (USA) and EU (Europe) frequency. The system will change the frequency setting in about 3 seconds.

## Change Bands (BAND)

Press the **BAND** button to switch between the F1 (FM1), F2 (FM2), F3 (FM3), A1 (AM1) and A2 (AM2) bands. Each band stores up to six preset stations.

## Manual Tuning (◀ / ▶)

Press and hold the ▶ or ◀ button to enter manual tuning mode. In manual tuning mode, press the ▶ or ◀ button to move the radio frequency number up or down one step.

## Auto Seek Tuning (◀ / ▶)

In standby mode or while not in manual tuning mode, quickly press the ▶ or ◀ buttons to move to the next/previous available station automatically.

## Automatic Music Search (AMS)

Press and hold the **AMS** button for more than 2 seconds to select six strong stations and store them in the current band. The radio will automatically scan the current frequency and enter the six strongest stations into the preset memory positions for that band.

Briefly press the **AMS** button on the remote control to scan each preset station in each band.

## Store/Recall Preset Stations (1 - 6)

The radio can store 6 preset stations for each band (FM1, FM2, FM3, AM1 and AM2) for a total of 30 stored stations.

1. To memorize a station, turn the radio on and select the desired band and station.
2. Press and hold the desired preset button (numbered 1 - 6 on the face of the radio) for more than 2 seconds to save the station to that preset number.
3. Repeat for the remaining five presets on the current band and for all presets on the other four bands.
4. A stored station can be recalled at any time by choosing a band and then pressing the corresponding preset button.

## Local/DX

In urban areas, most stations are strong enough and "LOCAL ON" mode should be selected. Switch to LOCAL OFF mode to search for stations with weaker signals.

Press the **LOC** button on the remote control to choose local or distant reception mode.

## Stereo/Mono

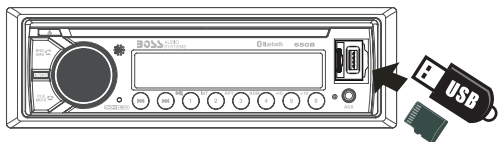
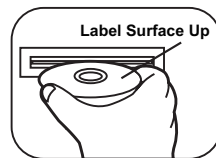
FM station is received in stereo mode. However, if the signal is weak or reception is not as good as you would like, switching to MONO mode usually improves the overall sound quality. Press the **ST** button on the remote control to choose FM STEREO or MONO audio effect.



# DISC/USB/CARD OPERATION

## Insert Disc/USB/SD

- To play files on a disc, insert a disc with the label surface up into the disc slot. Playback will begin automatically.
- To play files on a USB/SD device, open the USB port cover and insert the USB/SD storage device into the USB/SD port. Playback will begin automatically.



## Eject Disc/USB/SD

- To eject a disc, first press the **▶||** button to stop playback. Press the **▲** (eject) button to eject the disc and then remove it.
- To eject a USB device or SD card, first press the **▶||** button to stop playback, then remove the storage device or card.

## Play/Pause

Press the **▶||** (play/pause) button to pause or resume playback.

## Next/Previous Track

- To play the next track, briefly press the **▶▶** or **NEXT** button.
- To play the previous track, briefly press the **◀◀** or **PREV** button.

## Fast Forward/Backward

- To fast forward, press and hold the **▶▶▶** or **NEXT** button.
- To fast backward, press and hold the **◀◀◀** or **PREV** button.

## Introduction Scan

Press the **INT** button to play the first 10 seconds of each track, press again to stop the introduction scan and play the current track.

## Repeat the Same Track

Press the **RPT** button to toggle between RPT ALL (Play all track), RPT FLR (Continuously repeats all tracks in current folder) and RPT ONE (Continuously repeats current track).

## Playing all tracks in random

Press the **RDM** button to play all tracks in random order, press again to cancel this function.

# DISC/USB/CARD OPERATION

---

## Track Search

During CD, USB or SD playback, press and hold the **AMS** button to enter the track search modes:

- a) In playback of CD or files with MP3 format, press and hold the **AMS** button once to access the track or file number searching mode which allow you to quickly find a specific track or MP3 file by its serial number, and the "TRK SCH" and "TRK \*\*\*\*" will appear on the LCD display in sequence.
- b) Rotate the **VOL** knob to select the number of your favorite track or file with high speed. You can also press the numerical keys on the remote control to select a specific track by its serial number.
- c) Finally press the **SEL** button to confirm and play the selected track.

## Track/Folder Navigation

- During USB or SD card mode, press the **5/-10** button to go backward 10 tracks. Press the **6/+10** button to jump forward 10 tracks.
- During USB or SD card mode, press and hold the **5/-10** button to go back one folder. Press and hold the **6/+10** button to go up one folder. You can repeat this function depending on the number and level of folders.
- These buttons have no function if the USB device or SD card has no folders.

# AUXILIARY INPUT OPERATION

This car radio is equipped an external auxiliary input jack (3.5mm) on the front panel, and a pair audio auxiliary input RCA connector at the rear cabinet of the head unit, it is compatible with audio output from an MP3 music player.

If you have plugged such a player into the AUX IN jack with a audio cable. Or connect other audio device to the audio auxiliary input RCA connector on the rear cabinet of the head unit with a audio input cable. Press the **SRC** button to switch to the AUX input mode, then you can listen to music from external devices.

Note:

Do not use the AUX IN jack and the audio auxiliary input RCA connector at the same time, otherwise, it will cause the audio auxiliary function unusable.

# BLUETOOTH OPERATION




---

## Pair and Connect


Prior to using the Bluetooth device as a handsfree system for a Bluetooth-enabled mobile phone for the first time, you must pair and connect the two devices as follows:

1. In any mode, prior to pairing and connecting, the BT logo flashes in the LCD indicating that no device is connected. To begin pairing, enable BT mode on your mobile phone.
2. When the phone finds the car audio system, the BOSS 550B name will be displayed.
3. Choose the BOSS 550B from the device list to pair and connect with the car audio system. Upon confirming, the BT logo will stop flashing.
4. When pairing is complete, the mobile phone audio will automatically transfer to the car audio system whenever a call is made or received, or when the mobile phone plays musics.


## Make a Call

- To make a call, dial the call directly from the paired mobile phone.
- To make a call with this Bluetooth handsfree system.
  - a) When linking up the Bluetooth mobile phone to this car audio handsfree system, press the  button to access the dial telephone number mode, then press the "0~9", \* and # button on the remote control to input the telephone number, the entered number will be shown on the LCD.
  - b) If a number has been incorrectly input, press the **DEL** button or  button to delete it.
  - c) Press the  button to make outgoing call.


## Redial Last Dialed Number

Press and hold the  button on the control panel to redial the last dialed phone number.

## Answer a Call

- When the mobile phone is called, the incoming telephone number displays in the LCD.
- To receive the call, press the  button on the control panel or remote control.

## Reject or End a Call

To reject the call or end an active call, press the  button.





## Switch Audio Between Car and Mobile Phone

During a call, press the **VOL** knob/button to switch the audio source from the car audio system back to your mobile phone.

## Adjust Call Volume

- During a call, use **VOL** knob or **VOL +** and **VOL -** buttons to adjust the volume level.
- Use the **MUTE** button to mute sound.

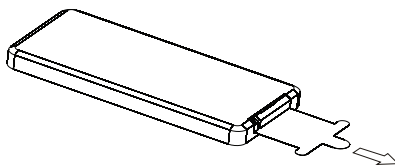
## Audio Streaming (A2DP)

1. Press the /SRC button to enter BT mode and display pause in the LCD.
2. When a mobile device is paired, music played through that device will automatically be heard through the car audio system.
3. Press the  or  button to play the next or previous song/file on the mobile phone.
4. Press the  button to pause or resume music playback.

# REMOTE CONTROL

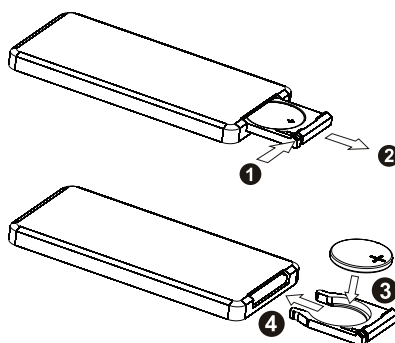
## Remove Insulating Sheet

The remote control comes with an insulating sheet attached to the underside of the remote control, as illustrated on the right. The remote control will not work until the insulating sheet is removed.



## Replace Lithium Battery Cell

1. When the lithium cell battery becomes weak, replace it as illustrated on the right.
2. Press and hold the movable block in the direction indicated by arrow 1. At the same time, pull the cell holder out of the remote control in the direction indicated by arrow 2.
3. Replace the old cell with a new one, making sure the (+) polarity is facing upward.
4. Re-insert the cell holder into the remote control.



- Cell leakage may cause damage to the remote control.
- Do not throw cells into fire, as this may cause an explosion.
- Keep battery cells out of reach of children.





## Remote Control Operation

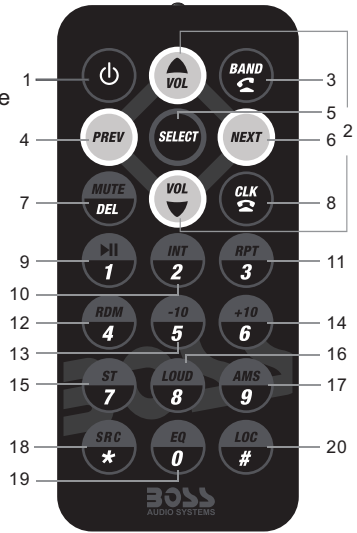
Position the emitting window of the remote control toward the sensor window of the unit.

- The operation angle for front panel remote control reception is about 30 degrees.
- The distance between the emitting window of the remote control and the sensor window of the unit should remain less than 5 meters.

# REMOTE CONTROL (CONT.)

## Button Names and Locations

1.  (Power on/off) button
2. VOL+/VOL-(volume increase/decrease) button
3. Band button,  (answer call) button
4. PREV: tune down, seek down; Previous Track, fast reverse
5. SEL(selection) button
6. NEXT: tune up, seek up; Next Track, fast forward
7. Mute button, DEL(Delete) button
8. CLK(clock setting) button,  (end call) button
9.  button, preset station 1 button, keypad 1
10. INT(intro) button, preset station 2 button, keypad 2
11. RPT(repeat) button, preset station 3 button, keypad 3
12. RDM (random), preset station 4 button, keypad 4
13. -10(previous 10 tracks), preset station 5 button, keypad 5
14. +10(next 10 tracks), preset station 6 button, keypad 6
15. ST(stereo) button, keypad 7
16. LOUD(loudness) button, keypad 8
17. AMS(automatic music search) button, keypad 9
18. SRC(Source) button, keypad \*
19. EQ(Equalizer) button, keypad 0
20. LOC(local)/DX button, keypad #



Note: When using the remote control for the first time, you must pull out the protective plastic tab from the battery compartment found on the back of the remote control.

# TROUBLESHOOTING

Symptom	Cause	Solution
No Power	Car ignition not on	Switch ignition key to "ACC"
	Fuse blown	Replace fuse
Disc cannot be loaded	Another disc is already in the player	Eject disc and insert new one
Disc cannot be read	Disc was inserted upside down	Insert disc with label facing upward
	Disc is dirty or scratched	Clean the disc or try to play a new one
	Temperature inside the car is too high	Allow vehicle to cool before using player
No sound	Volume turned down	Adjust volume to desired level
	Wiring not properly connected	Check and repair wiring connection
Operation keys not working	Front panel not properly fixed into place	Reinstall the front panel
	Car interior is too hot	Allow vehicle to cool before using player
Sound skips	Installation angle is more than 30 degrees	Adjust installation angle to less than 30 degrees
	Disc is dirty or scratched	Clean disc or try to play a new one
Radio does not work	Antenna cable not connected	Insert antenna cable firmly
Automatic radio station selection does not work	Signals are too weak	Select a station manually

# SPECIFICATIONS

---

## General

Power Supply Requirement.....	DC 12V
Current Consumption .....	15A MAX
Maximum Power Output.....	50W x 4CH

## Radio

### FM

USA/Europe.....	87.5 MHz - 107.9 MHz/87.5 - 108.0 MHz
Usable Sensitivity .....	30 dBu
I.F. Frequency.....	10.7 MHz

### AM

USA/Europe.....	530 KHz - 1710 KHz/522 - 1620 KHz
Usable Sensitivity .....	20 dBu
I.F. Frequency.....	450 KHz

## CD/USB/Card

Usable Audio Formats .....	CD/MP3/WMA
USB Port Type.....	2.0
USB Charging.....	5V/1A
Card Type.....	MicroSD™
Pre-amp Output.....	Front and Rear
Frequency Response .....	20 Hz - 20 KHz
S/N Ratio .....	60dB

## BT

BT Profile supports .....	A2DP, AVRCP, HFP
Range of frequency.....	2.4GHz spectrum

# USER'S MANUAL

550B

BLUETOOTH® | MP3-COMPATIBLE CD AM/FM RECEIVER



BOSS Audio Systems

3451 Lunar Court • Oxnard, CA 93030

[www.bossaudio.com](http://www.bossaudio.com)

800-999-1236 US Toll-Free

805-751-4853 Customer Service

Tech Support: [www.bossaudio.com/support/technical-support](http://www.bossaudio.com/support/technical-support)



1017

iPod®/ iPhone® are trademarks of Apple, Inc. registered in the U.S. and other countries.

BOSS Audio Systems is not affiliated with Apple, Inc.

The Bluetooth® word mark and logos are registered trademarks owned by Bluetooth SIG, Inc. and any use of such marks by BOSS Audio Systems is under license. Other trademarks and trade names are those of their respective owners.