

DS-2DY3220IW-DE(4) v.B

2 MP Compact Outdoor Network IR PTZ Camera



DE4 Model

DE Model

- 1/2.8" Progressive Scan CMOS
- Up to 1920 x 1080 Resolution
- H.265 Video Compression
- 20x Optical Zoom, 16x Digital Zoom
- Digital WDR, 3D DNR, HLC, Smart IR
- Up to 330 ft (100 m) IR Distance
- IP66
- 12 VDC, POE (802.3at Class 4)

Hikvision DS-2DY3220IW-DE(4) v.B Series 2 MP Compact Outdoor Network IR PTZ Cameras are capable of capturing high quality images in low light environments. These unobtrusive designs feature feedthrough cabling and are able to capture images in zero lux at an IR distance of up to 330 ft (100 m).

These cameras feature 1/2.8" progressive scan CMOS imagers and 2 MP resolution. The 20x optical zoom lens and true Day/Night provides incredible detail over larger areas where a deterrent camera presence is preferred.

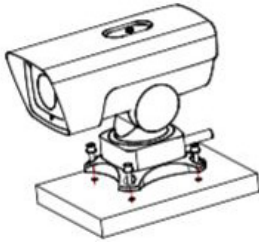
Available models:

DS-2DY3220IW-DE v.B: Pedestal mount (included)
DS-2DY3220IW-DE4 v.B: Wall mount (included)

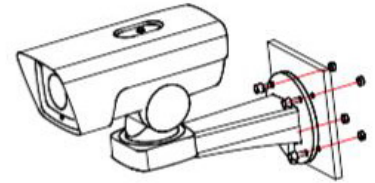
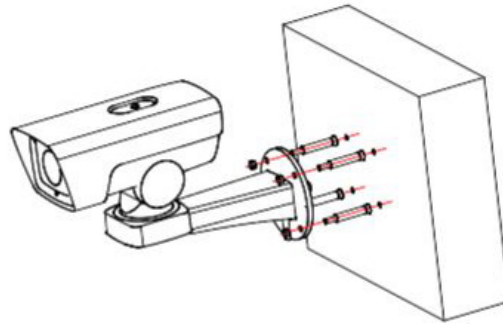


Installation

DS-2DY3220IW-DE v.B



DS-2DY3220IW-DE4 v.B



Specifications

	DS-2DY3220IW-DE v.B	DS-2DY3220IW-DE4 v.B
Camera Module		
Image Sensor	1/2.8" progressive scan CMOS	
Maximum Image Resolution	1920 × 1080	
Minimum Illumination	Color: 0.05 lux @ (f/1.6, AGC on), B/W: 0.01 lux @ (f/1.6, AGC on), 0 lux with IR	
Day/Night	IR cut filter	
Privacy Mask	8 programmable privacy masks	
Focus Mode	Auto/semiautomatic/manual	
3D DNR	Yes	
BLC	Yes	
Digital WDR	Yes	
Regional Exposure	Yes	
Regional Focus	Yes	
Shutter Speed	1/1 to 1/30,000 s	
S/N Ratio	>52 dB	
Digital Zoom	16x	
White Balance	Auto/manual/ATW/indoor/outdoor/fluorescent lamp/sodium lamp	
AGC	Auto/manual	
Lens		
Focal Length	4.7 mm to 94 mm, 20x optical	
Zoom Speed	~2.7 s (optical lens, wide-tele)	
Angle of View	61.4° to 2.9° (wide-tele)	
Minimum Working Distance	10 mm to 1500 mm (wide-tele)	
Aperture Range	f/1.6 to f/3.5	
Image		
Main Stream	30 fps (1920 × 1080, 1280 × 960, 1280 × 720), 60 fps (1280 × 960, 1280 × 720)	
Sub Stream	30 fps (704 × 480, 640 × 480, 320 × 240)	
Third Stream	1920 × 1080, 1280 × 960, 1280 × 720, 704 × 480, 640 × 480, 320 × 240	
Image Compression	H.265/H.264 (Baseline, Main, High Profile)/MJPEG	
Audio Compression	G.711 ulaw/G.711 alaw/G.726/MP2L2	
SVC	Supported	
ROI Encoding	Supported	
Protocols	IPv4/IPv6, HTTP, HTTPS, 802.1x, QoS, FTP, SMTP, UPnP, SNMP, DNS, DDNS, NTP, RTSP, RTP, TCP, UDP, IGMP, ICMP, DHCP, PPPoE	
Others	Defog, Privacy Mask, 3D DNR, BLC, HLC, WDR	
Infrared		
IR Distance	Up to 330 ft (100 m)	
IR Intensity	Automatically adjusted, depending on the zoom ratio	
PTZ		
Movement Range (Pan)	360° endless	
Pan Speed	Configurable, from 0.1°/s to 50°/s. Preset speed 50°/s	
Movement Range (Tilt)	-40° to 30°	
Tilt Speed	Configurable, from 0.1°/s to 25°/s. Preset speed 25°/s.	
Number of Presets	300	
Preset Freezing	Yes	
Patrol	8 patrols, up to 32 presets per patrol	
Pattern	4 patterns, with the recording time over 10 minutes per pattern	
Park Action	Preset/pattern scan/patrol scan/auto scan/tilt scan/random scan/frame scan/panorama scan	
Proportional Zoom	Supported	
Power-Off Memory	Yes	
PTZ Position Display	Off/On	
Features		
Smart Detection	Intrusion, line crossing, region exiting, region entrance	
ROI Encoding	Main stream, sub-stream, and third stream respectively support two fixed areas	

Specifications (continued)

	DS-2DY3220IW-DE v.B	DS-2DY3220IW-DE4 v.B
Network		
Maximum Resolution	1920 × 1080	
Main Stream	30 fps (1920 × 1080, 1280 × 960, 1280 × 720) 60 fps (1920 × 1080, 1280 × 960, 1280 × 720)	
Sub-Stream	30 fps (704 × 480, 640 × 480, 352 × 240)	
Third Stream	30 fps (1920 × 1080, 1280 × 960, 1280 × 720, 704 × 480, 640 × 480, 352 × 240)	
Video Compression	Main Stream: H.265+/H.265/H.264+/H.264 Sub-Stream: H.265/H.264/MJPEG Third Stream: H.265/H.264/MJPEG H.264 with Baseline/Main/High Profile	
Audio compression	G.711alaw/G.711ulaw/G.722.1/G.726/MP2L2/PCM	
Protocols	IPv4/IPv6, HTTP, HTTPS, 802.1x, QoS, FTP, SMTP, UPnP, SNMP, DNS, DDNS, NTP, RTSP, RTCP, RTP, TCP/IP, DHCP, PPPoE, Bonjour	
API	ONVIF (Profile S, Profile G, Profile T), ISAPI, SDK	
Simultaneous Live View	Up to 20 channels	
User/Host	Up to 32 users, 3 levels: Administrator, Operator, and User	
Security Measures	User authentication (ID and PW), host authentication (MAC address); HTTPS encryption; IEEE 802.1x port-based network access control; IP address filtering	
System Integration		
Menu	English	
Scheduled Task	Preset, pattern scan, patrol scan, auto scan, tilt scan, random scan, frame scan, panorama scan, dome reboot, dome adjust	
Alarm I/O	1 alarm inputs, 1 alarm output, support for alarm linkage	
Alarm Linkage	Preset, patrol, pattern, SD card recording, trigger recording, notify surveillance center, upload to FTP/memory card/NAS, send e-mail, etc.	
Audio I/O	1/1	
Ethernet	1 RJ-45 10M/100M Ethernet interface; PoE (802.3at, class 4)	
CVBS Output	1.0 V(p-p)/75 Ω, NTSC (or PAL) composite, BNC	
RS-485	Half duplex, HIKVISION, Pelco-P, Pelco-D, self-adaptive	
Onboard Storage	Built-in microSD/SDXC card slot, up to 128 GB, NAS (NFS, SMB/CIFS), ANR	
Client	iVMS-4200, iVMS-4500	
Simultaneous Live Views	20	
User/Host Level	Up to 32 users, 3 Levels: administrator, operator, and user	
Web Browser	IE 8 to 11, Chrome 31.0+, Firefox 30.0+, Edge 16.16299+	
General		
Language (Web Browser Access)	32 languages: English, Russian, Estonian, Bulgarian, Hungarian, Greek, German, Italian, Czech, Slovak, French, Polish, Dutch, Portuguese, Spanish, Romanian, Danish, Swedish, Norwegian, Finnish, Croatian, Slovenian, Serbian, Turkish, Korean, Traditional Chinese, Thai, Vietnamese, Japanese, Latvian, Lithuanian, Portuguese (Brazil)	
Power	12 VDC, 1.6 A and PoE (802.3at), 42.5 to 57 VDC, 0.6 A, Class 4, maximum: 19 W, including maximum 9.2 W for IR	
PoE Injector	---	Included
Working Temperature	-22° to 149° F (-30° to 65° C)	
Working Humidity	≤95% non-condensing	
Protection Level	IP66 standard, TVS 6000 V lightning protection, surge protection, and voltage transient protection	
Mounting	Pedestal mount (included)	Wall mount (included)
Dimensions	14.45" x 4.80" x 9.53" (367 mm x 122 mm x 242 mm)	10.03" x 5.08" x 7.68" (255 mm x 129 mm x 195 mm)
Weight	Approximately 6.61 lbs (3 kg)	

DORI

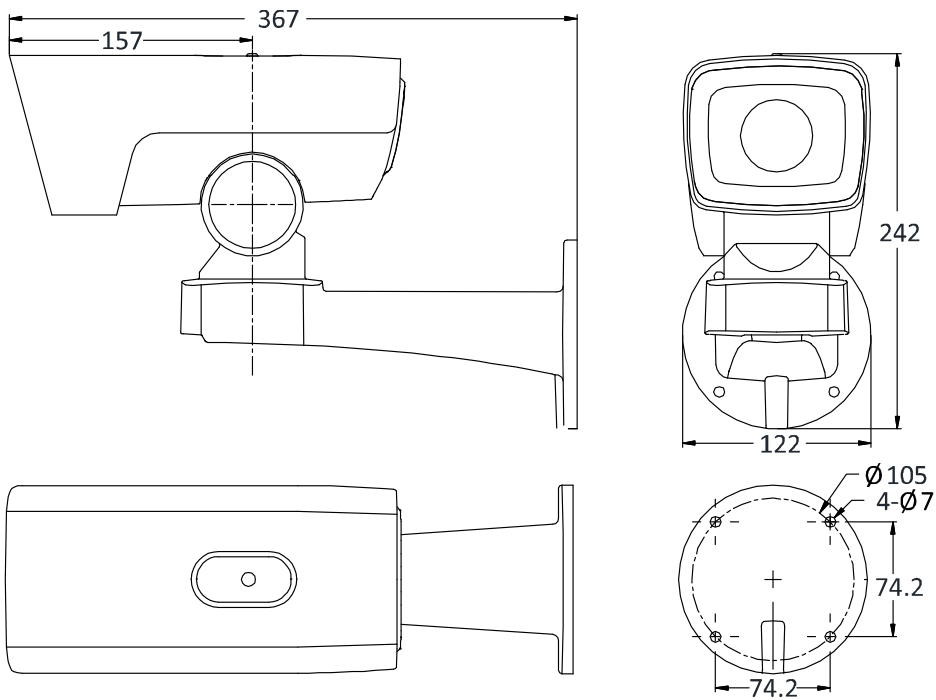
The DORI (Detect, Observe, Recognize, Identify) distance gives the general idea of the camera ability to distinguish persons or objects within its field of view.

It is calculated based on the camera sensor specification and the criteria given by EN 62676-4: 2015.

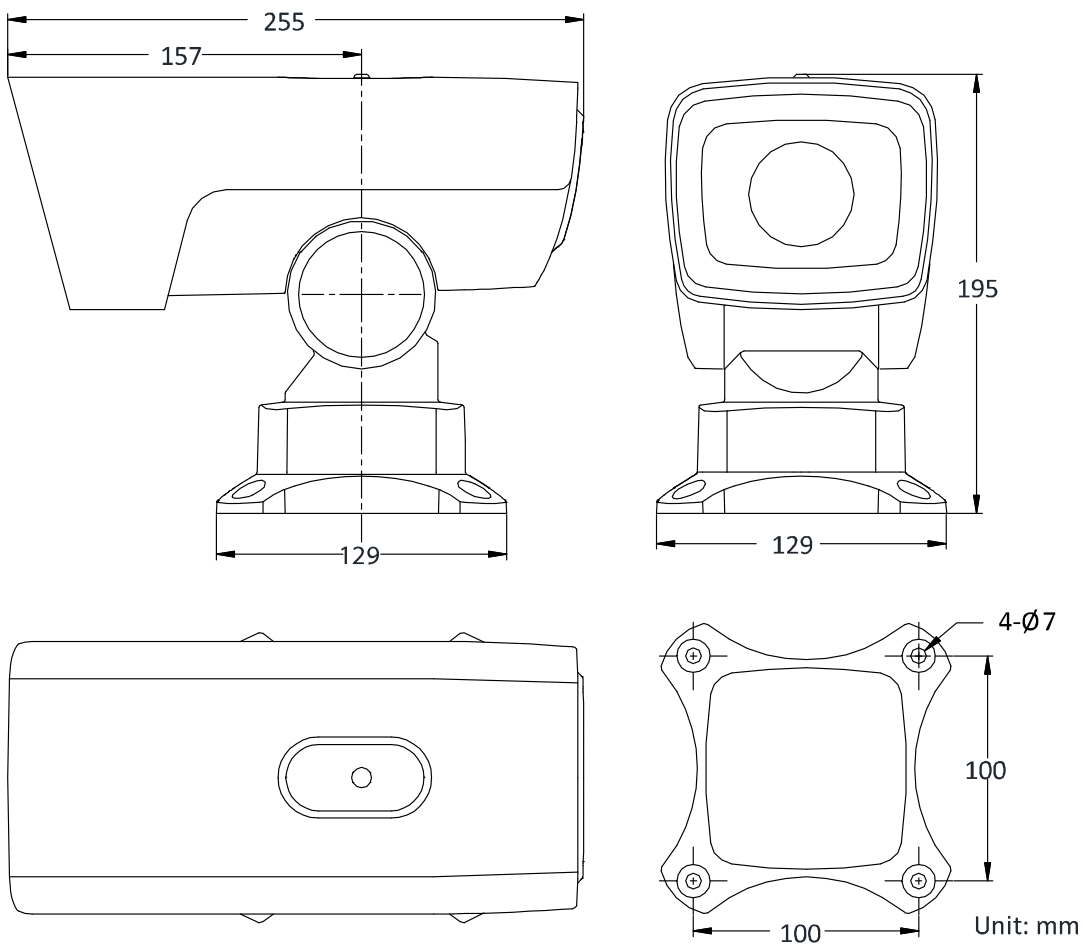
DORI	Detect	Observe	Recognize	Identify
Definition	25 px/m	63 px/m	125 px/m	250 px/m
Distance (Tele)	1061.8 m (3483.7 ft)	421.4 m (1382.4 ft)	212.4 (696.7 ft)	106.2 m (348.4 ft)

Dimensions

DS-2DY3220IW-DE v.B



DS-2DY3220IW-DE4 v.B



Accessories

INCLUDED		
With DS-2DY3220IW-DE v.B	With DS-2DY3220IW-DE4 v.B	
		
Pedestal Mount (shown with camera)	Wall Mount (shown with camera)	PoE Injector

Box Contents (Subject To Change without Notice)

DS-2DY3220IW-DE v.B

Quick Start Guide
Screws
Watertight Cable Connector
Pedestal Mount

DS-2DY3220IW-DE4 v.B

Quick Start Guide
Machine Screws
PoE Injector
Power Cord
Concrete Bolts
Wall Mount