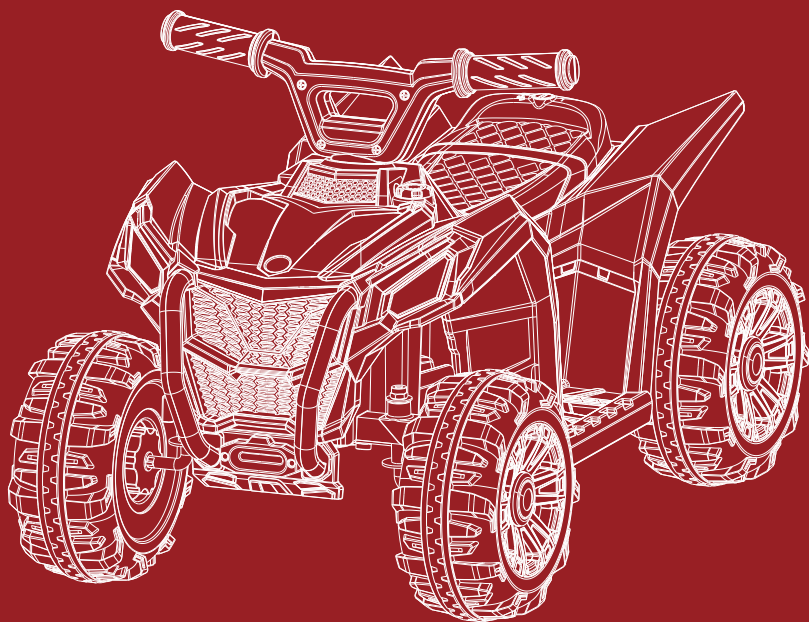




BEST CHOICE
PRODUCTS



INSTRUCTION MANUAL

6V Kids Ride On ATV 4-Wheeler



**BEST CHOICE
PRODUCTS**

As shoppers, we're always trying to find the perfect balance between quality & value. At BCP, we believe we've achieved that. Our diverse catalog of everyday essentials is tailored especially to our customers & guaranteed to hit that sweet spot of high quality & low price.

———— Always. ————



Charge for **12 hrs**
before initial use.

After initial charge,
follow the normal
recommended
charging time.



SAFETY

Please retain these instructions for future reference.

This vehicle must be assembled by an adult who has read and understood the instructions in this manual. Keep the packaging and bags away from children and dispose of all packaging before use. Always use common sense and safe practices when operating this vehicle. This product contains or emits chemicals known in the state of California to cause cancer or birth defects or other reproductive harm.

NOTE: For best performance, only use this vehicle on flat and hard surfaces.

AGE RANGE: 1.5 - 3 years old

WEIGHT CAPACITY: 44 lbs.

The following safety hazards may result in serious injury or death:

- This product contains small parts. Keep children away during assembly. Make sure to remove all packaging material and parts from underneath the vehicle body.
- Never open the battery. Batteries contain lead and lead compounds (acids) that are toxic and corrosive, and known to the state of California to cause cancer and reproductive harm.
- Limbs, hair, and clothing can get caught in moving parts. Always wear shoes, keep limbs away from moving parts, and do not wear loose clothing while operating this vehicle.
- This vehicle does not have brakes or braking capability. Do not leave a child unattended during operation. Do not use this in a location that may require braking capability, as this could result in loss of control, which may cause serious injury or death.
- Use of this vehicle near streets, motor vehicles, steps, bodies of water, sloped surfaces, hills, wet areas, flammable vapors, in alleys, at night, or in the dark could result in an unexpected accident.
- Use of this vehicle in unsafe conditions such as snow, rain, loose dirt, mud, sand, or gravel may result in an unexpected accident such as tipping over, and could damage the electrical system or battery.
- Do not operate this vehicle in an unsafe manner. Examples include but are not limited to:
 - Pulling the vehicle with another vehicle or similar device
 - Allowing more than one rider
 - Pushing the user
 - Traveling at an unsafe speed
- This product is intended for residential use only.

BATTERY WARNINGS

The following safety hazards may result in serious injury or death:

- Use of a battery or charger other than the supplied rechargeable battery and charger may cause a fire or explosion. Only use the supplied battery and charger.
- Use of the rechargeable battery and charger for any other product may result in overheating, fire, or explosion. Never use the supplied rechargeable battery and charger with another product.
- Explosive gases are created during charging. Charge the battery in a well-ventilated area. Do not charge the battery near heat or flammable materials.
- Contact between the positive and negative terminals may result in fire or explosion. Avoid direct contact between the terminals. Picking up the battery by the wires or charger can cause damage to the battery and may result in a fire. Always pick up the battery by its case or handles.
- Liquids on the battery may cause fire or electric shock. Always keep all liquids away from the battery and keep the battery dry. Contact or exposure to battery leakage (lead acid) may cause serious injury. If contact or exposure occurs immediately call your physician. If the chemical is on the skin or in the eyes, flush with cool water for 15 minutes. If the chemical was swallowed, immediately give the person water or milk. Do not give water or milk if the patient is vomiting or has a decreased level of alertness. Do not induce vomiting.
- Battery posts, terminals, and related accessories contain lead and lead compounds (acid) - chemicals known to the State of California to cause cancer, reproductive harm, and are toxic and corrosive. Never open the battery.
- Tampering or modifying the electric circuit system may cause a shock, fire or explosion and permanently damage the system. Exposed wiring and circuitry in the charger may cause electric shock. Always keep the charger housing closed.

⚠️ WARNING

To reduce the risk of injury, adult supervision is required. Never use on roadways, near motor vehicles, on or near steep inclines or steps, swimming pools or other bodies of water; always wear shoes, and never allow more than one rider.

- **RISK OF FIRE.** Do not bypass. Replace only with 3A fuse.
- Never leave a child unattended.
- Always sit in the seat when using this vehicle.
- Keep your hands, hair, and clothes away from moving parts.
- Children under 1.5 years of age cannot use the vehicle.
- Only drive on level ground.
- Do not drive the vehicle into loose dirt, mud, sand, fine gravel, or on wet surfaces.

SPECIFICATIONS

Overall Dimensions	27"(L) x 17.5"(H) x 17.8"(H)
Weight	12.1 lbs.
Weight Capacity	44 lbs.
Age Range	1.5 - 3 years old
Max Speed	1.8 mph.
Initial Charge Time	12 hours
Charging Time	8 - 12 hours
Run Time	1 - 2 hours
Battery Type	6V 4.5AH
Electric Motor	DC 6V
Charger Input	100-240V AC
Charger Output	DC 6V 500mA
Material	PP Plastic, Metal

⚠ WARNING

ADULT ASSEMBLY REQUIRED

TOOLS REQUIRED



PLASTIC
WRENCH
(2, PROVIDED)



PHILLIPS
SCREWDRIVER



2 PERSON
ASSEMBLY



APPROXIMATELY
45 MIN.
ASSEMBLY

HARDWARE

1

SELF-TAPPING
SCREW

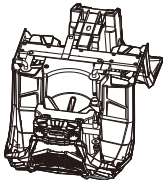


4 PCS

PARTS

A

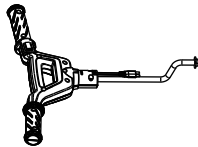
ATV BODY



1 PC

B

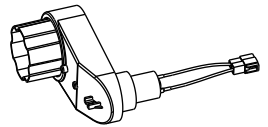
HANDLEBARS



1 PC

C

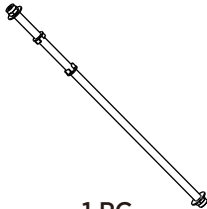
MOTOR



1 PC

D

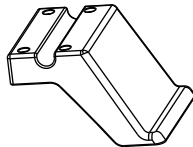
REAR AXLE



1 PC

E

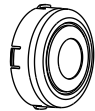
REAR SUPPORT



1 PC

F

WHEEL COVER



4 PCS

PARTS

G

WHEEL



4 PCS

H

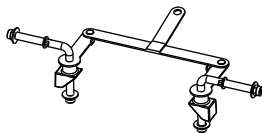
FRONT BUMPER



2 PCS

I

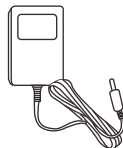
FRONT AXLE



1 PC

J

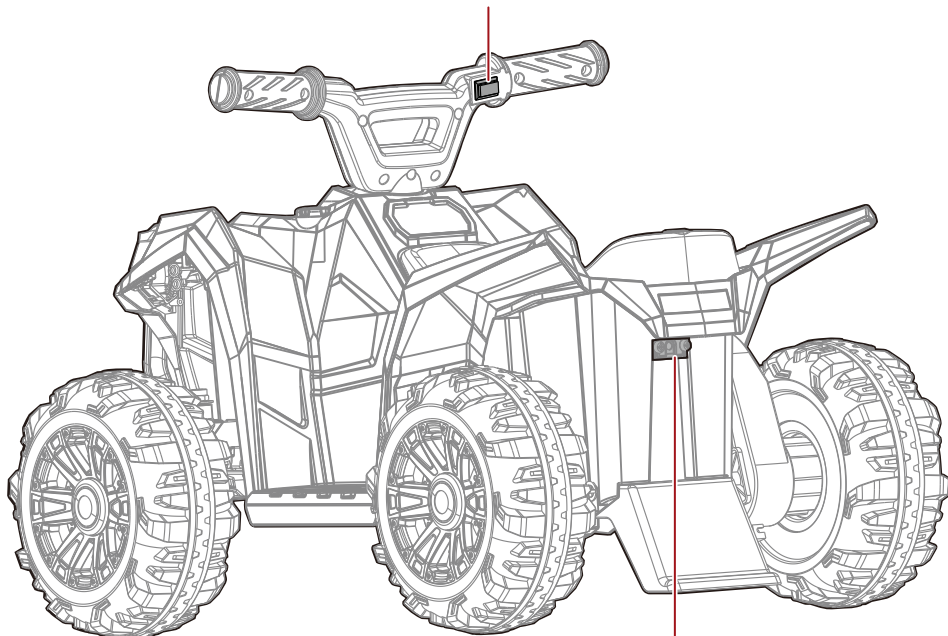
6V CHARGER



1 PC

DIAGRAM

ON/OFF BUTTON



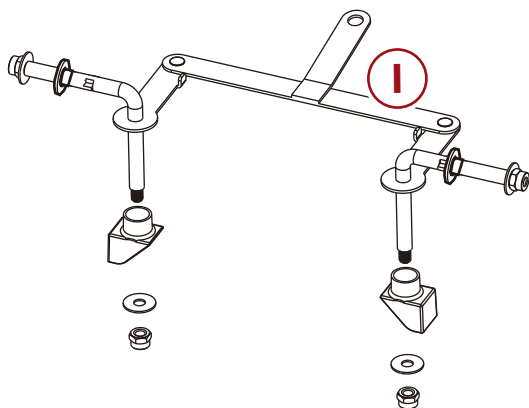
CHARGING PORT

PRODUCT ASSEMBLY

1

Place the **part A ATV** body on a flat, covered surface to prevent scratches, then locate the **part I front axle**.

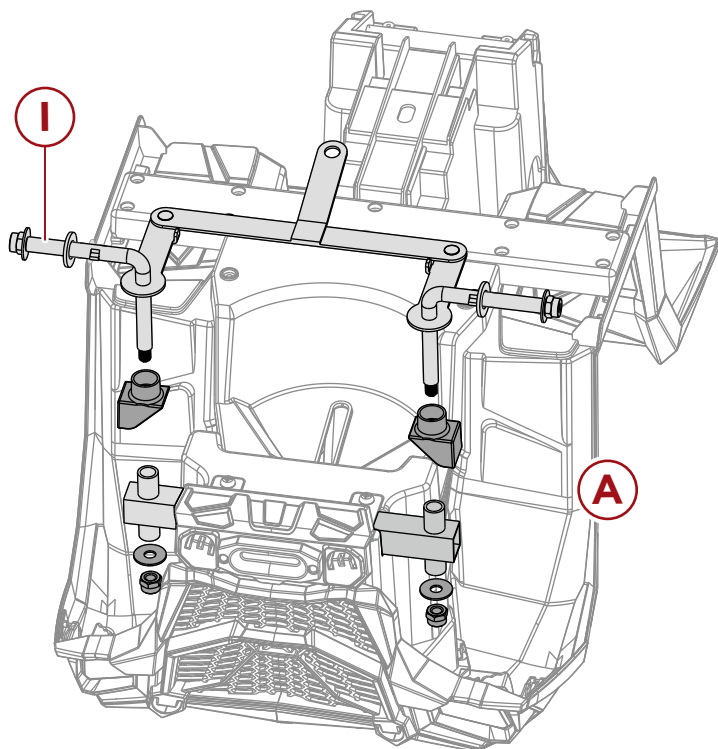
Remove the pre-assembled hardware: two nuts, two washers, and two square tube covers.



2

On the bottom of the **part A ATV body**, place the square tube covers onto the square pipe.

Insert the **part I front axle** through the square pipe then secure by replacing the hardware.



PRODUCT ASSEMBLY

3

Locate the **part D rear axle** and remove the pre-assembled hardware, set this hardware aside.

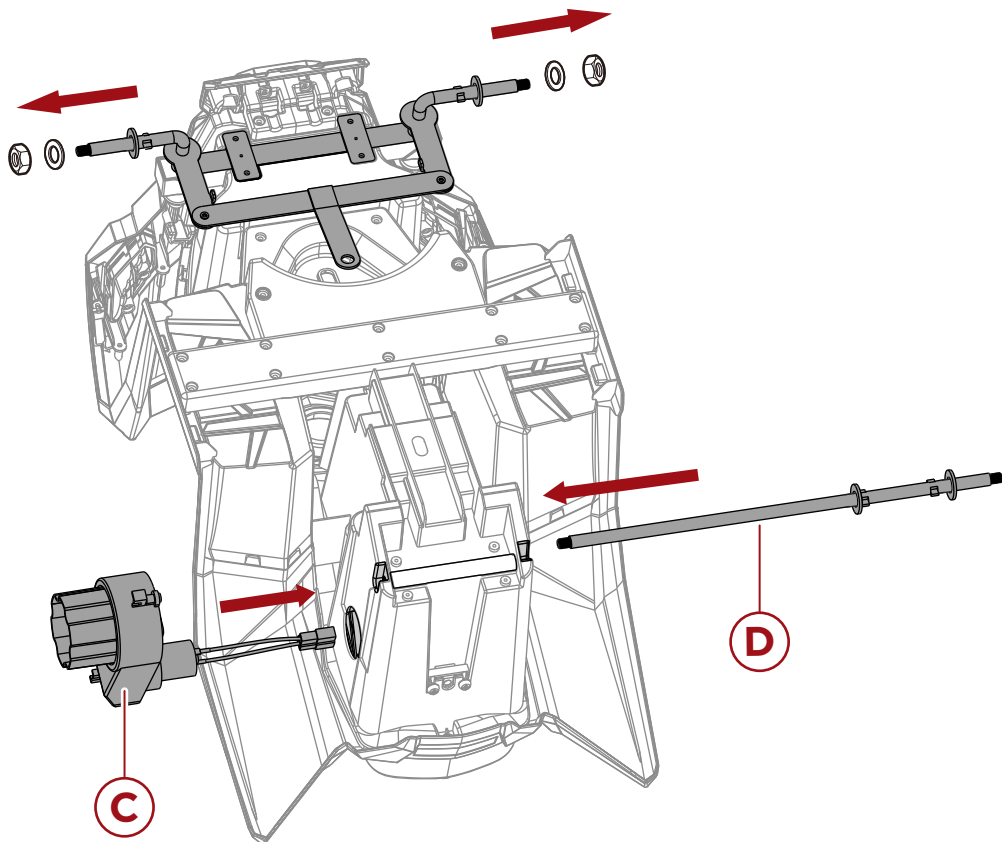
NOTE: Leave the bushings on the axle in place.



4

Remove the pre-assembled hardware from the **part I front axle**, then set aside. Locate the **part C motor** and plug the adapter into the receiver at the back of the **part A ATV body**.

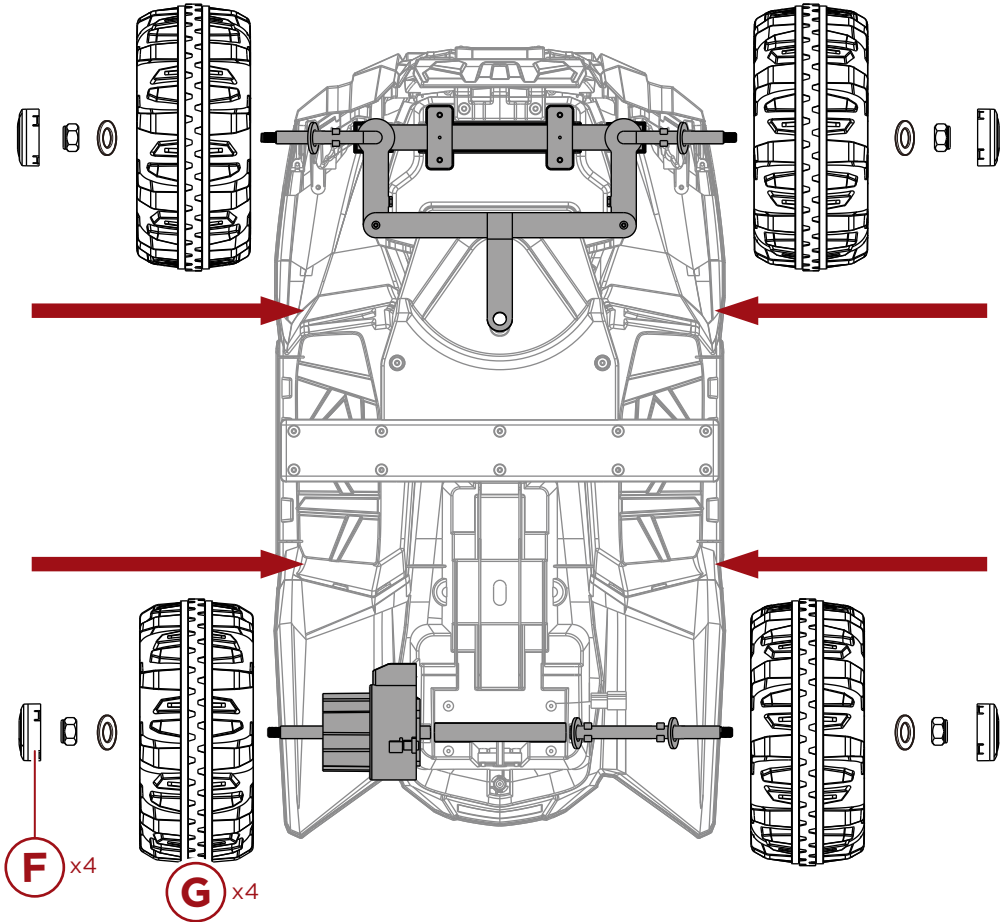
Push the **part D rear axle** through the opening in the back of the ATV body and the **part C motor**.



PRODUCT ASSEMBLY

5

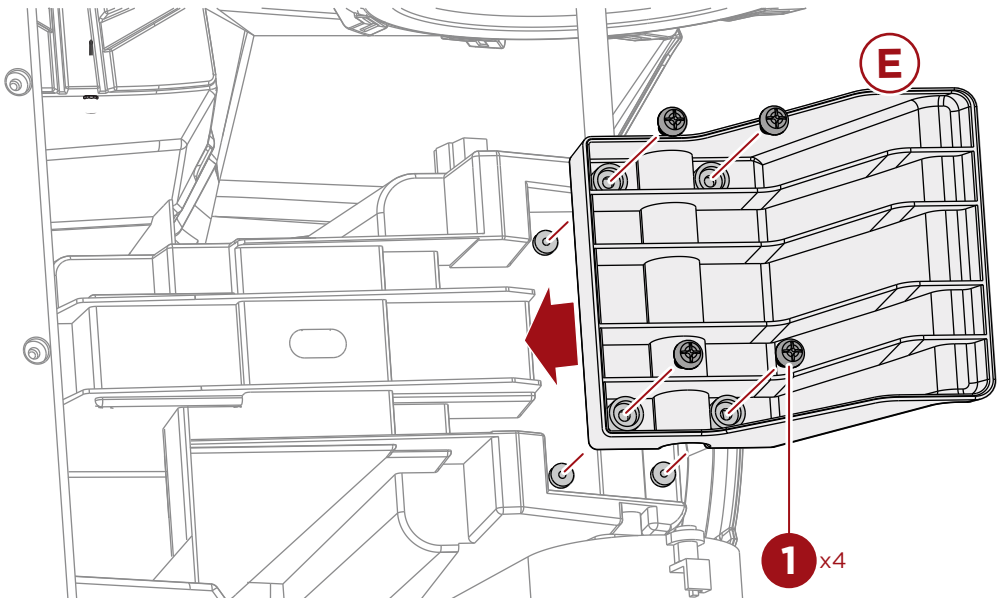
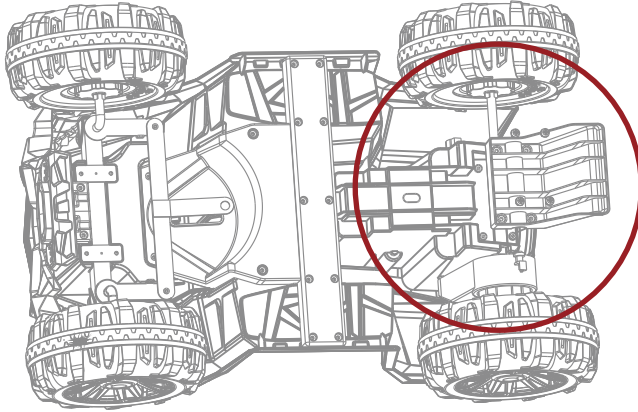
Attach two **part G** wheels to the **part D & I** axles, secure with each axle's respective hardware, then affix four **part F** wheel covers.



PRODUCT ASSEMBLY

6

Attach the **part E rear support** to the **part A ATV body** with four **part 1 self-tapping screws**.

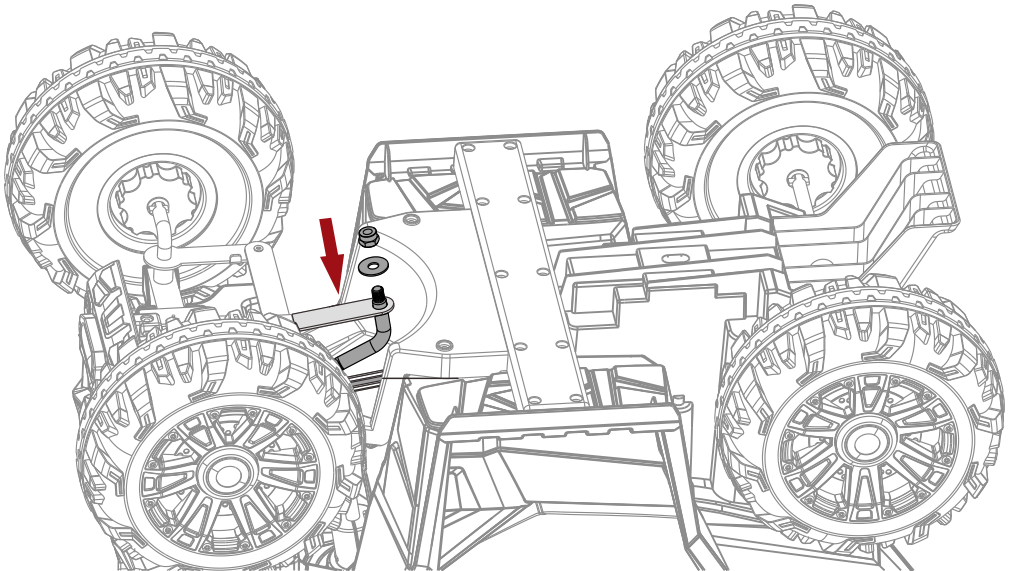
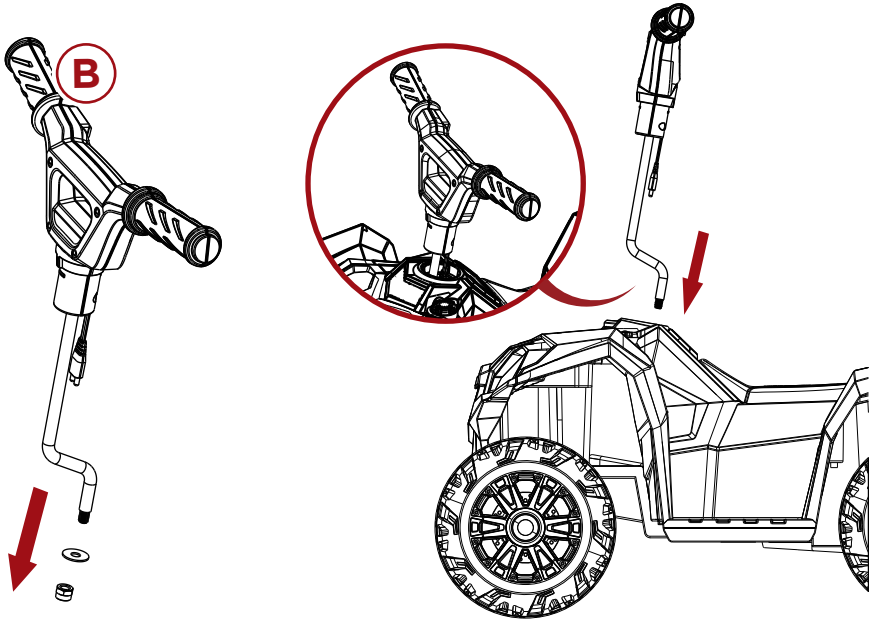


PRODUCT ASSEMBLY

7

Flip the ATV body upright so all four wheels touch the ground.

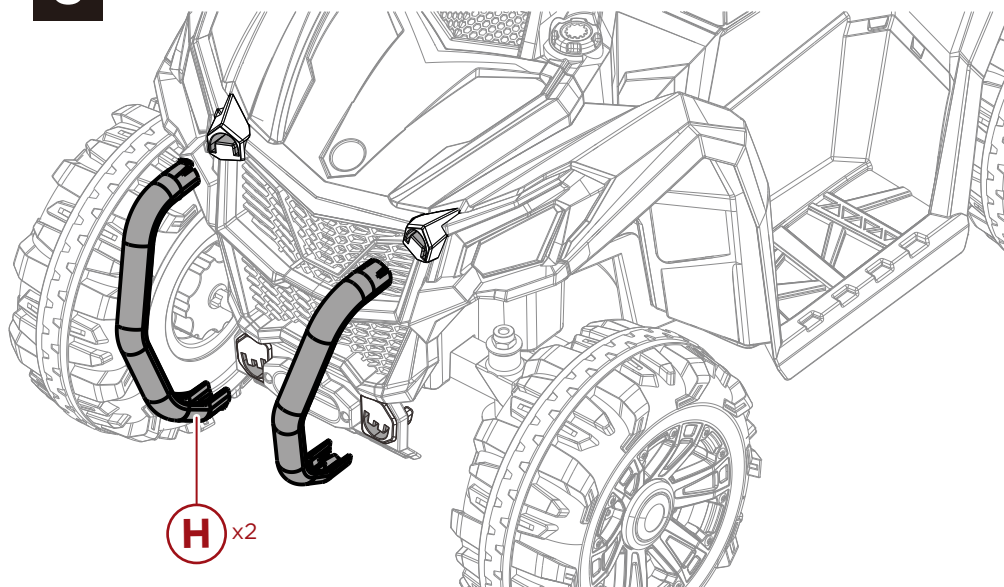
Locate the **part B handlebars** and remove the pre-assembled hardware, insert the handlebars into the ATV body, then thread the handlebar shaft through the hole on the **part I front axle**. Reattach the hardware to secure.



PRODUCT ASSEMBLY

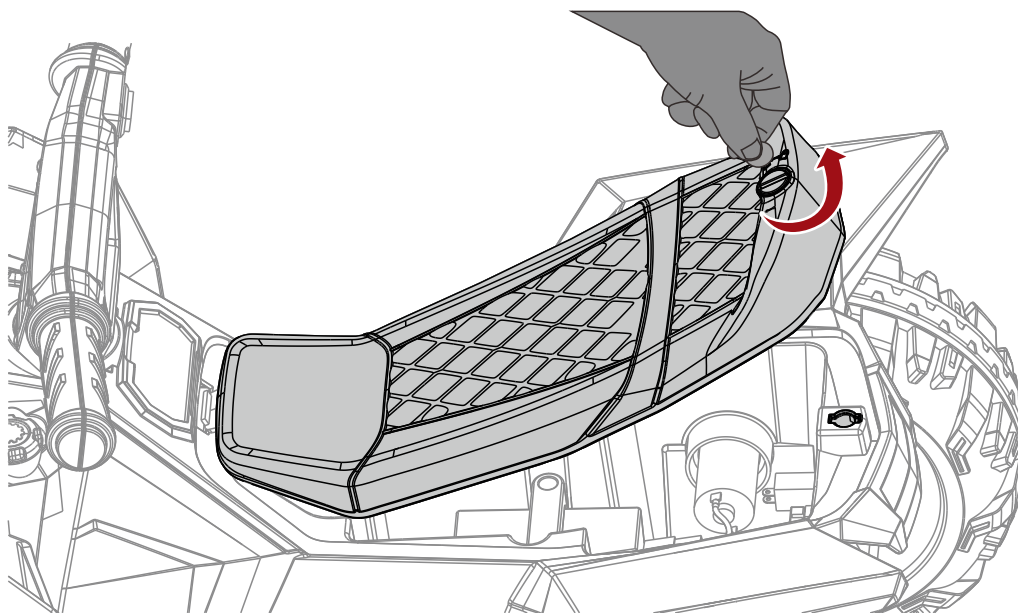
8

Attach two **part H front bumpers** to the front of the ATV.



9

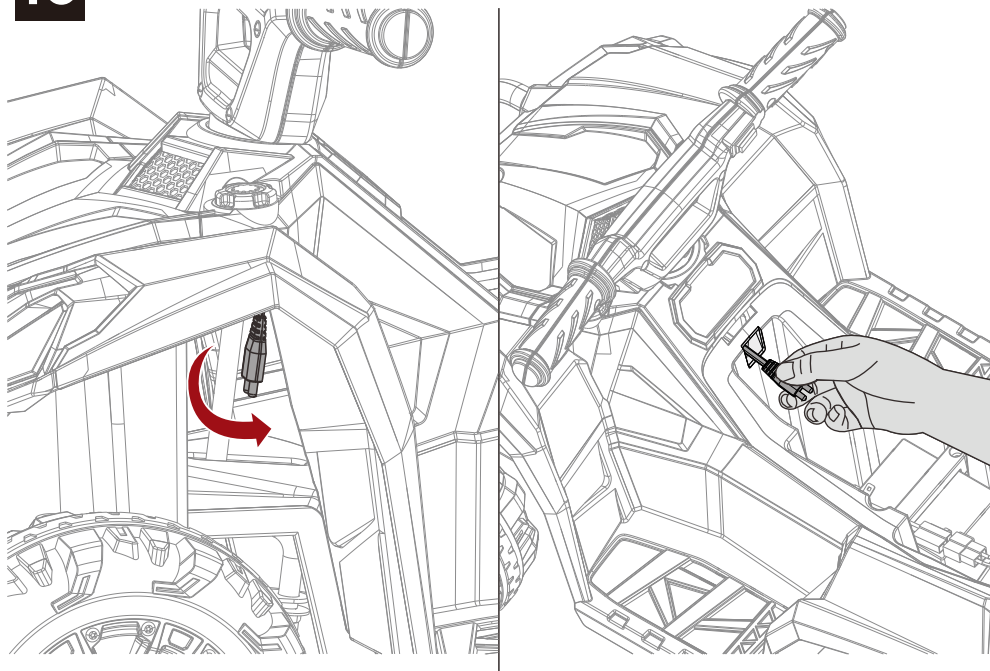
Locate knob on the seat of the ATV body. Turn the knob counterclockwise to open the seat.



PRODUCT ASSEMBLY

10

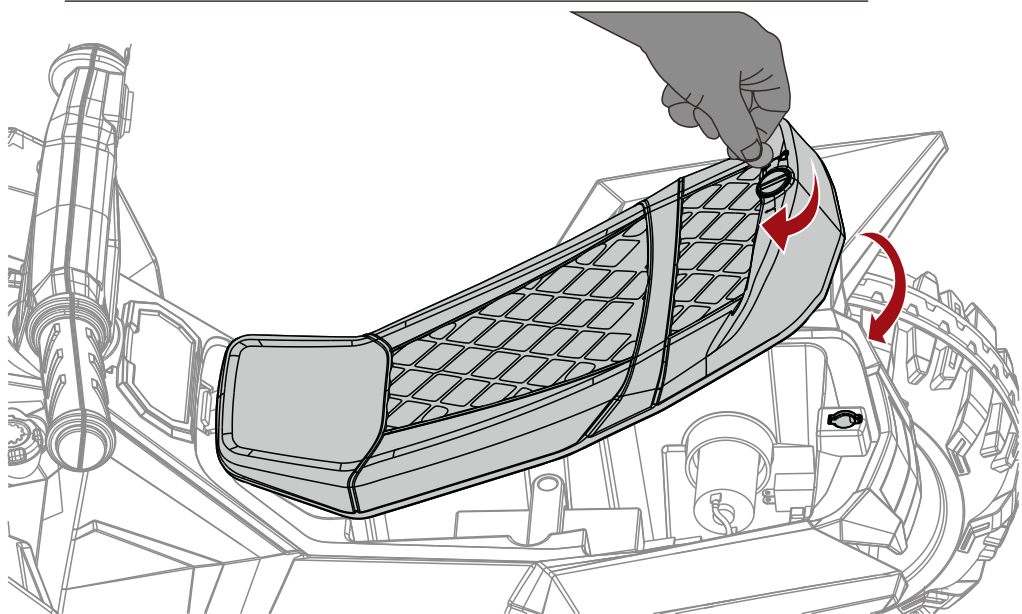
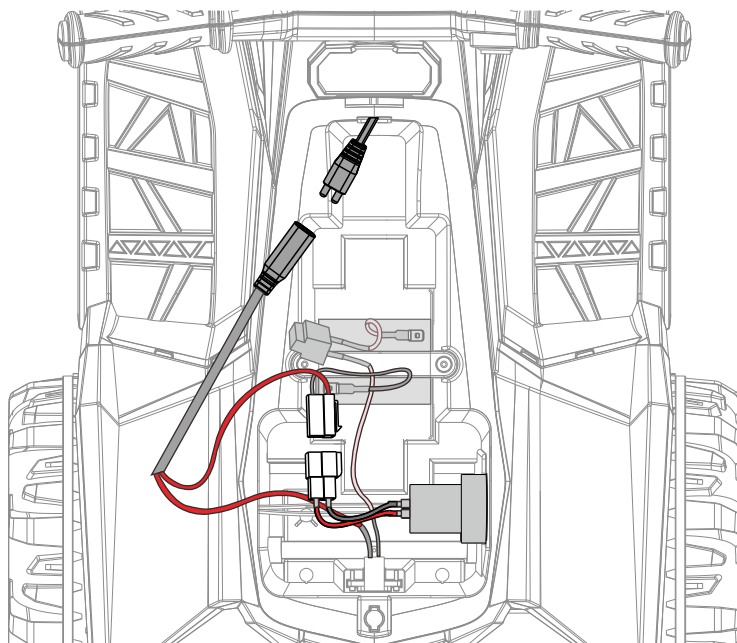
Thread the handlebar's wire through opening and into the recess under the seat.



PRODUCT ASSEMBLY

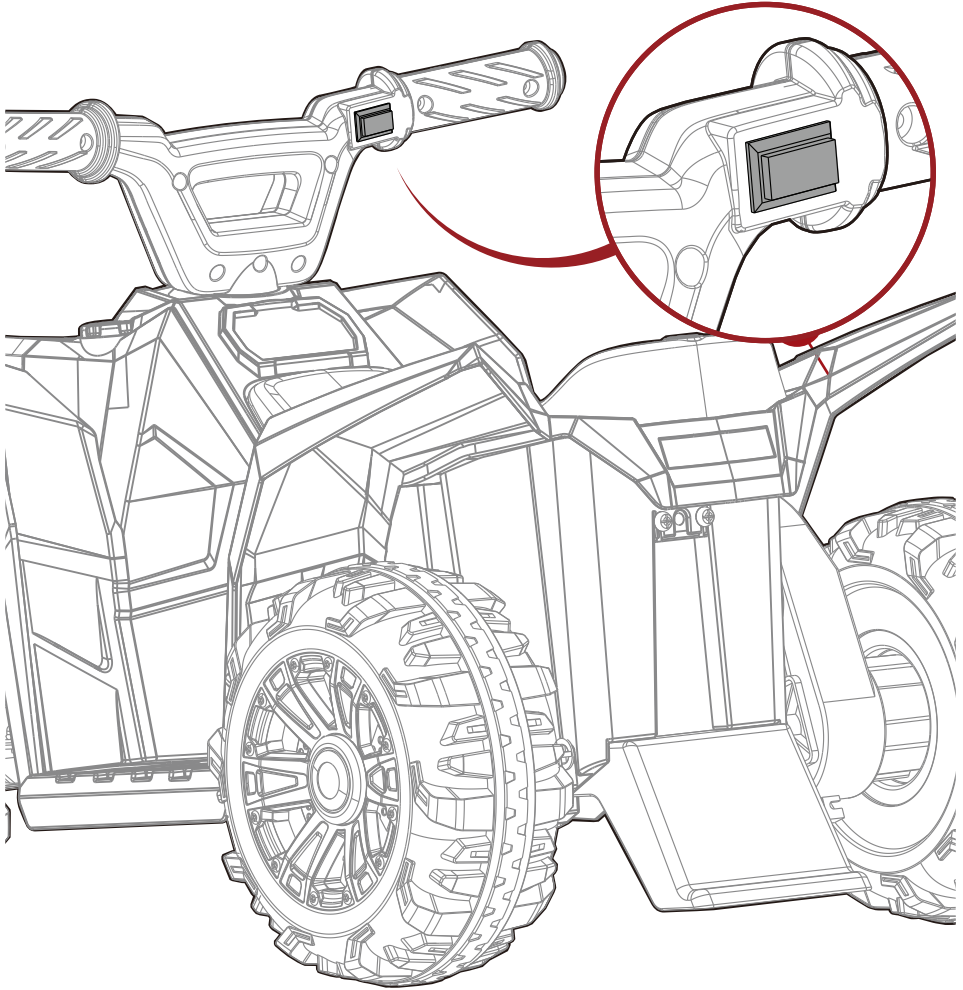
11

Connect the handlebar wire to the motor wire, then connect the power terminal as shown. Replace the seat.



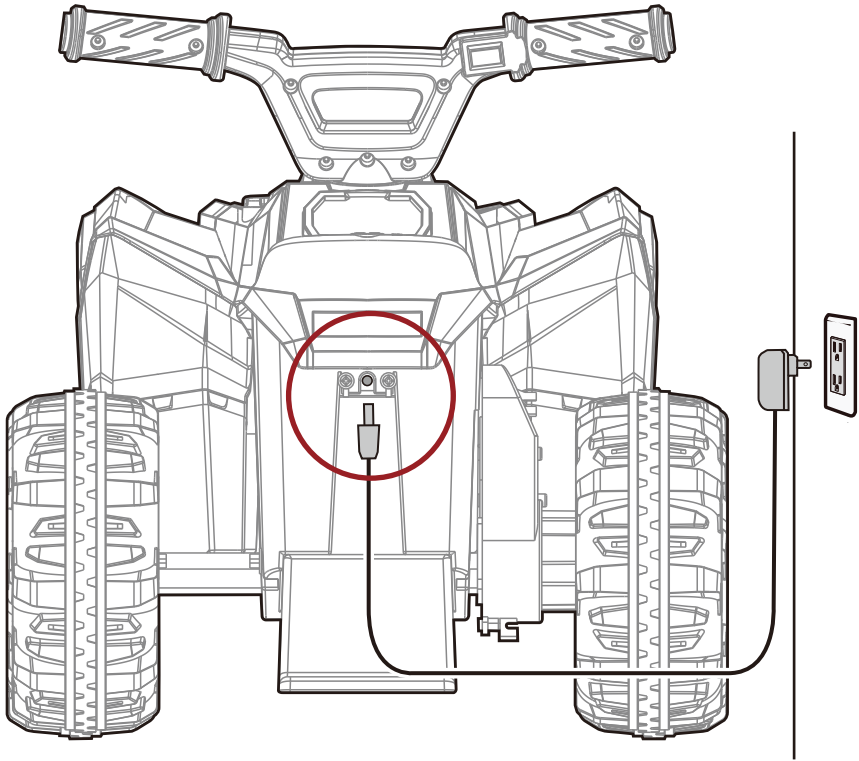
USER INSTRUCTIONS

Please retain these instructions for future reference.



1. After completing the initial charge (see charging instructions), have the user sit on the designated seat.
2. Locate the **on/off switch** on the handlebar.
3. This product has no braking capabilities, press and hold the on/off switch to make the ride on move forward; release the button to stop.

CHARGING INSTRUCTIONS



1. Charging connector is located at the rear of the seat.
2. Insert **part J charger** into the charging port and plug the other end into a wall outlet.
3. Charge the battery 12 hours before initial use.
4. When fully charged, unplug **part J charger** from the wall outlet, then place it under the seat.

CARING FOR YOUR RIDE-ON

- Park the vehicle indoors or cover it with a tarp to protect it from wet weather.
- Do not leave the vehicle in the sun for long periods of time or fading may occur. Store in shade or cover with tarp.
- Do not wash the vehicle with a hose.
- Do not wash the vehicle with soap.
- Charge battery at least once a month to prolong the life of the battery.

TROUBLESHOOTING

Problem	Reason	Solution
Vehicle does not move	Low battery	Fully charge the battery
	Electrical protection	Stop use for several minutes and restart
	Switch not in the correct position	Completely press in switches
	Battery connectors disconnected	Plug in battery connectors
Battery does not recharge	Battery connectors disconnected	Plug in battery connectors
	Charger not connected to socket or outlet	Completely plug in the charger
Battery does not last	Battery does not have a full charge	Fully charge the battery
Battery is warm and makes a slight noise while charging	Normal	Normal
Slow speed	Low battery	Fully charge the battery
	Overloaded vehicle	Reduce the weight on the vehicle
	Uneven or sloped road	Drive on flat pavement
Vehicles shakes while driving	Loose connection to motor	Ensure the motor is properly connected to the battery
Vehicle is silent	Handle bars is not properly connected	Properly connect the handle bars

FCC COMPLIANCE STATEMENT

This device complies with part 15 of the FCC rules. Operation is subject to the following two conditions: (1) This product may not cause harmful interference, and (2) this device must accept any interference received, including interference that may cause undesired operation.

NOTE: This equipment has been tested and found to comply with the limits for a Class B digital device, pursuant to part 15 of the FCC Rules. These limits are designed to provide reasonable protection against harmful interference in a residential installation.

This equipment generates, uses, and can radiate radio frequency energy and, if not installed and used in accordance with the instructions, may cause harmful interference to radio communications. However, there is no guarantee that interference will not occur in a particular installation.

If this equipment does cause harmful interference to radio or television reception, which can be determined by turning the equipment off and on, the user is encouraged to try to correct the interference by one or more of the following measures:


- Reorient or relocate the receiving antenna.
- Increase the separation between the equipment and receiver.
- Connect the equipment to an outlet on a circuit different from that to which the receiver is connected.
- Consult the dealer or an experienced radio/TV technician for help.

WARNING: Any changes or modifications to this unit not expressly approved by the party responsible for compliance could void the user's authority to operate the equipment.

Responsible party (contact for FCC matters only):

Quality Control Dept.
15101 Red Hill Ave.
Tustin, CA 92780

CALIFORNIA PROPOSITION 65

 **WARNING:** Battery posts, terminals, and related accessories can expose you to chemicals including lead and lead compounds, which are known to the State of California to cause cancer and birth defects or other reproductive harm, and are toxic and corrosive. Wash hands after handling. For more information go to www.P65Warnings.ca.gov



HELP CENTER



Question about your product? We're here to help. Visit us at:

help.bestchoiceproducts.com



Chat Support



Product Inquiry



Orders FAQ



Product Assembly



Returns & Refunds

PRODUCT WARRANTY INFORMATION

All items can be returned for any reason within 60 days of the receipt and will receive a full refund as long as the item is returned in its original product packaging and all accessories from its original shipment are included. All returned items will receive a full refund back to the original payment method. All returned items will not be charged a re-stocking fee.

All returned items require an RA (Return Authorization) number, which can only be provided by a Best Choice Products Customer Service Representative when the return request is submitted. Items received without an RA may not be accepted or may increase your return processing time. Once an item has been received by Best Choice Products, refunds or replacements will be processed within 5 business days.

All returns must be shipped back to the Best Choice Products Return Center at the customer's expense. If the reason for return is a result of an error by Best Choice Products then Best Choice Products will provide a pre-paid shipping label via email. Boxes for return shipping will not be provided by Best Choice Products, and is the customer's responsibility to either use the original shipping boxes or purchase new boxes.

Pictures may be required for some returns to ensure an item is not damaged prior to its return. Items returned are not considered undamaged until they are received by Best Choice Products and verified as such. All damages to items are the customer's responsibility until the item has been received by and acknowledge by Best Choice Products as undamaged.

WARNING

Manufacturer and seller expressly disclaim any and all liability for personal injury, property damage or loss, whether direct, indirect, or incidental, resulting from the incorrect attachment, improper use, inadequate maintenance, unapproved modification, or neglect of this product.