



Highline® | K-3889-T

Two-piece elongated toilet, 1.28 gpf

Features

- Two-piece design
- Elongated bowl offers added room and comfort
- Comfort Height® feature offers chair-height seating that makes sitting down and standing up easier for most adults
- Left-hand Polished Chrome trip lever
- Tank cover locks included
- Combination consists of toilet bowl and tank
- Eligible for consumer rebates in some municipalities
- 1.28 gpf (4.8 lpf)
- 2-1/8" (54 mm) fully glazed trapway
- Class Five® canister optimizes the flow out of the tank, harnessing gravity and the natural, powerful reducing cascade of water to increase the power and effectiveness of the flush



Sustainability



Available Colors/Finishes

Color tiles intended for reference only.

- 0 White
- 7 Black Black



1-800-4KOHLER (1-800-456-4537)
Kohler Co. reserves the right to make revisions without notice to product specifications.
For the most current specification sheet, go to www.kohler.com USA or www.kohler.ca Canada.
4-15-2026 4:58 - US-CA

THE BOLD LOOK
OF **KOHLER**®

Codes/Standards

ADA, OBC, CSA B651 compliant when installed to the specific requirements of these regulations.
Accessibility standards may require controls to be located on the open side of the toilet.
Plumbing codes may require elongated toilets and elongated, open-front seats in public bathrooms.



ASME A112.19.2/CSA B45.1
DOE - Energy Policy Act 1992
EPA WaterSense®
California Energy Commission (CEC)
ADA
ICC/ANSI A117.1
CSA B651
OBC

Technical Information

Rough-in:	10"
Flush Type:	Class Five
Flush Rate:	1.28 gpf (4.8 lpf)
Bowl Shape:	Elongated
Seat-Mounting Holes:	5-1/2" (140 mm)
Waste Outlet:	Floor
Trapway Size:	2-1/8" (54 mm)
Trapway Type:	Exposed
Water Surface Size:	11-3/8" x 8" (289 mm x 203 mm)
Rim to Water Surface:	5-3/8" (137 mm)

Included Combo Skus

- K-4467-T Toilet tank, 1.28 gpf
- K-4373 Elongated toilet bowl

Recommended Products/Accessories

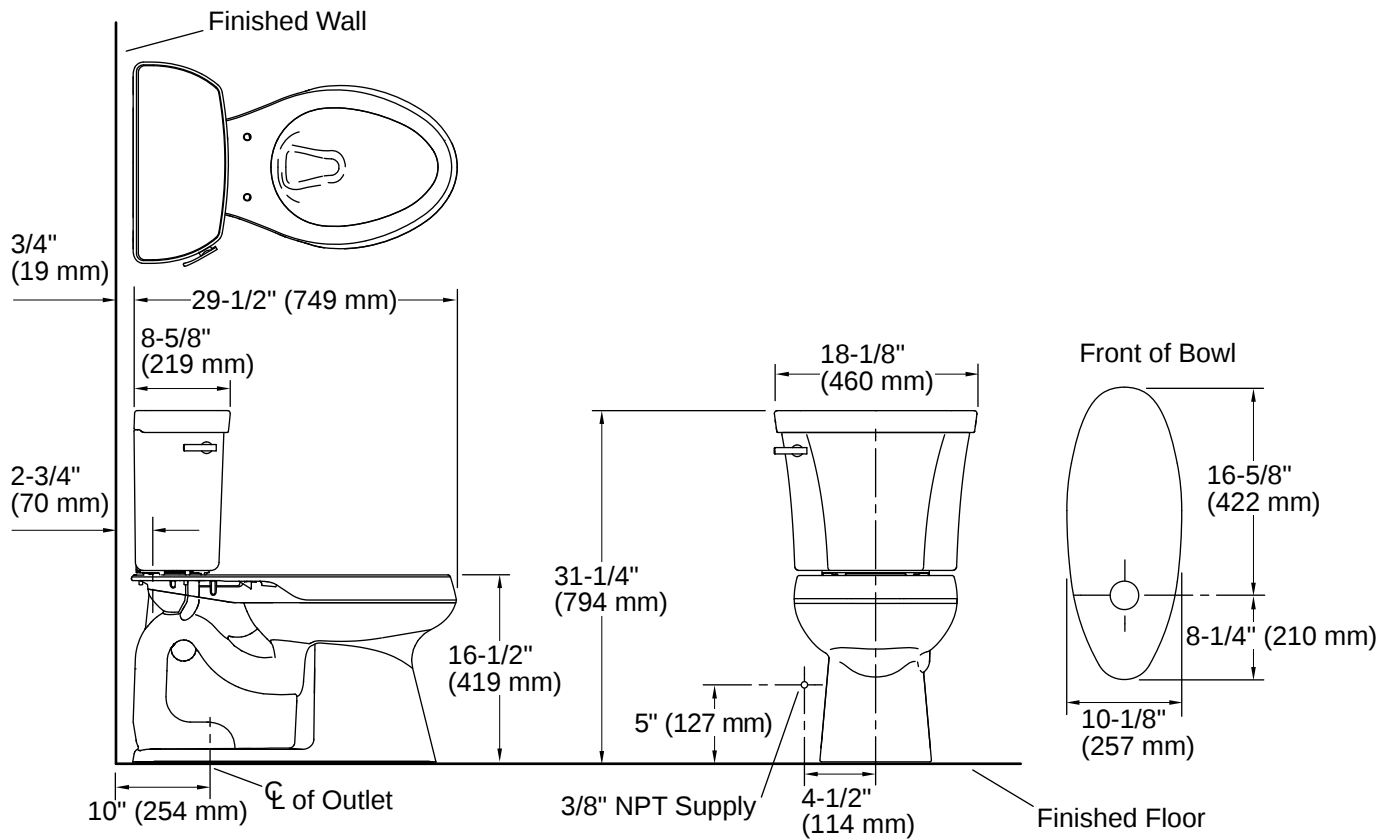
- 1023457 Toilet Wax Ring And Hardware Kit
- 1265114 12" Toilet Supply Line
- K-23726 Drain treatment
- K-9379 Trip lever
- K-5420 Low-profile toilet bolt caps
- K-4639-RL ReadyLatch® Quiet-Close™ round-front toilet seat
- K-4636-RL ReadyLatch® Quiet-Close™ elongated toilet seat

Warranty

See website for detailed warranty information.

KOHLER® Toilets and Seats Limited Warranty





Installation

- 10" (254 mm) rough-in
- Three-bolt quick-connect installation
- Seat and supply line sold separately

Installation Notes

Install this product according to the installation instructions.

Product dimensions are nominal and may vary per ASME A112.19.2 tolerances.

ADA, OBC, CSA B651 compliant when installed to the specific requirements of these regulations.

Plumbing codes may require elongated toilets and elongated, open-front seats in public bathrooms.

Accessibility standards may require controls to be located on the open side of the toilet.

