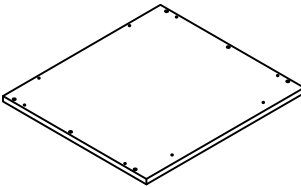
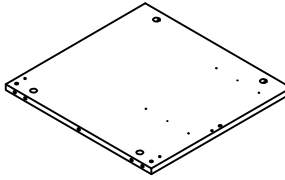
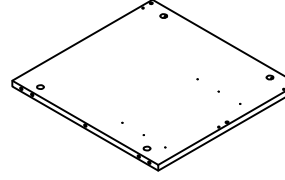
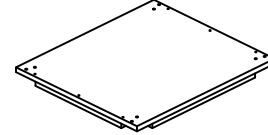
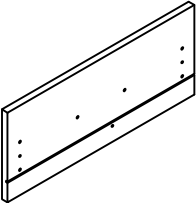
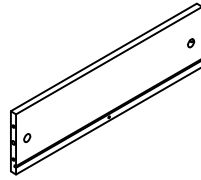
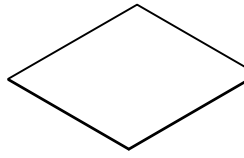
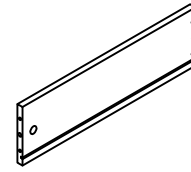
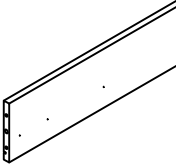
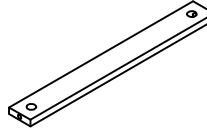
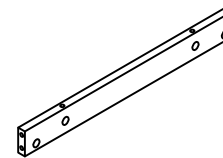
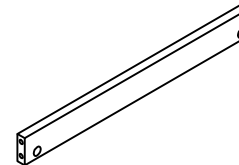
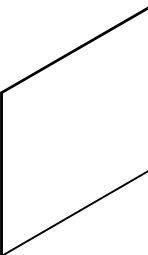

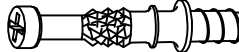




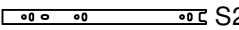



ASSEMBLY INSTRUCTION

2-DRAWER NIGHTSTAND

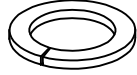
A Top Panel 	B Left Side Panel 	C Right Side Panel 	D Bottom Panel 
1 pc	1 pc	1 pc	1 pc
E Drawer Front 	F Drawer Back Panel 	G Drawer Bottom Panel 	H Drawer Left Side Panel 
2 pcs	2 pcs	2 pcs	2 pcs
I Drawer Right Side Panel 	J Drawer Bottom Support Rail 	K Top Support Rail 	L Center Support Rail 
2 pcs	2 pcs	2 pcs	1 pc
M Back Panel 	N Leg 	O Minifix Cam Bolt 7mm x 24mm 	P Minifix Cam Lock 15mm x 9.5mm 
1 pc	4 pcs	30 pcs	30 pcs
Q Wood Dowel M8 x 25mm 	R Csk Screw M4 x 12mm-Black 	S Drawer Slide 250mm  S1  S2	T Allen Key M4 x 65mm 
22 pcs	24 pcs	4 sets	1 pc

U JCBC Screw
M6 x 40mm



4 pcs

V Spring Washer
M6 x 13mm



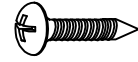
4 pcs

W Flat Washer
M6 x 19mm



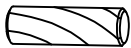
4 pcs

X Panhead Screw
M3.5 x 16mm-Black



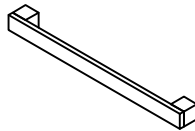
12 pcs

Y Wood Dowel
M6 x 25mm



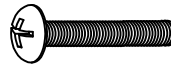
16 pcs

Z Handle

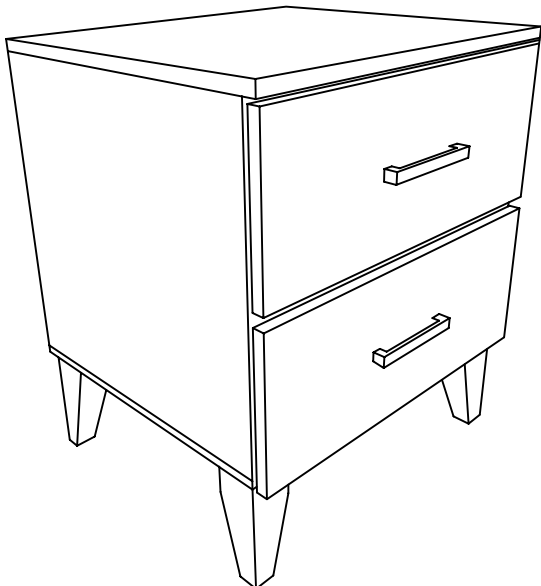


2 pcs

AA Truss M-Screw
20mm

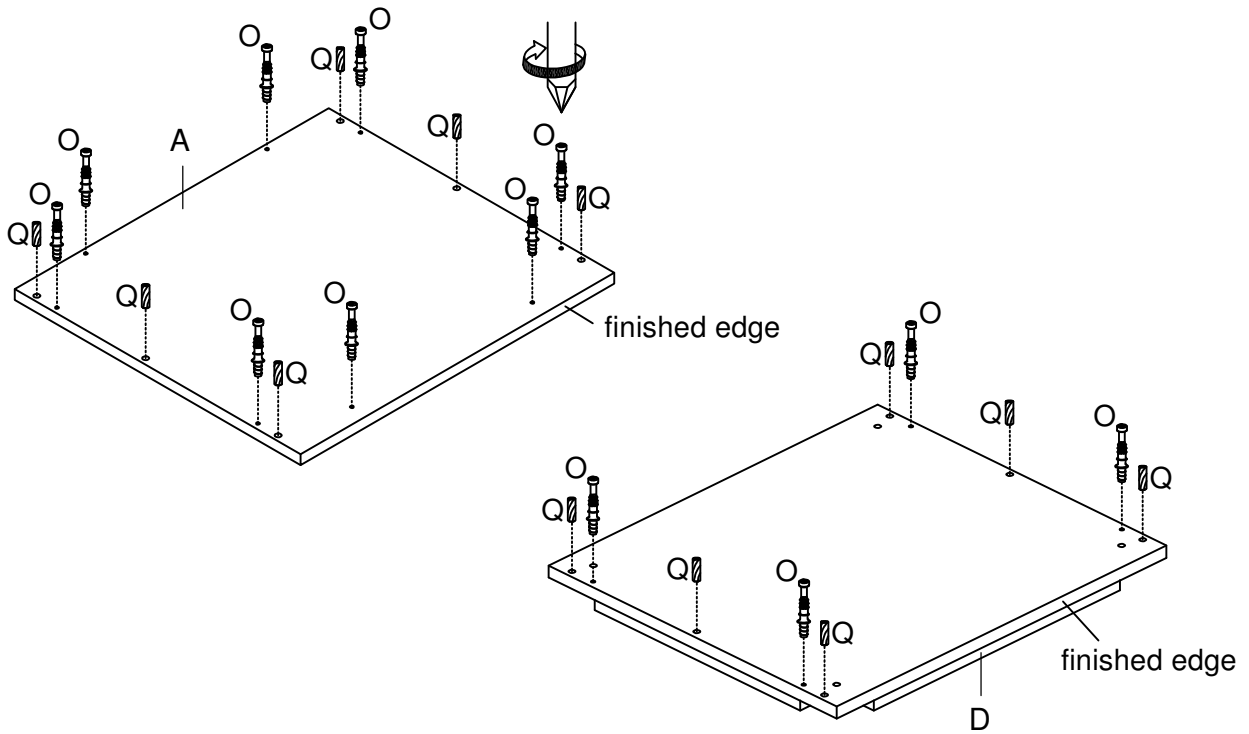


4 pcs



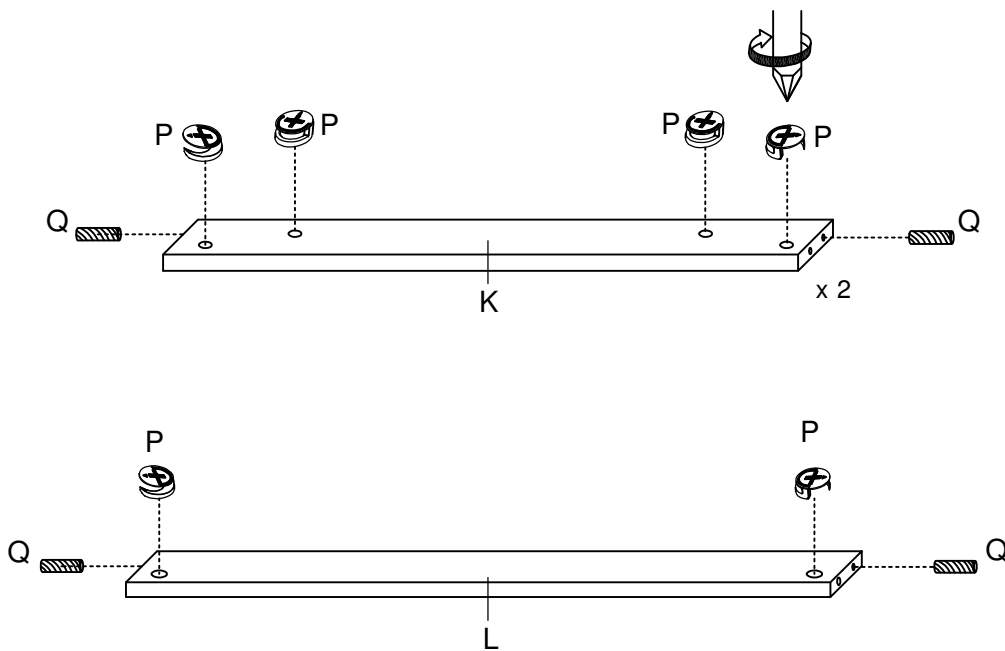
These pages list all the contents included in the box. Please take the time to identify the hardware as well as the individual components to this product. As you unpack and prepare for assembly, place the contents on a carpeted or padded area to protect them from damage.

- 1** Insert Minifix Cam Bolt (O) and Wood Dowel (Q) to the Top & Bottom Panel (A & D) with screwdriver (not provided) as shown.



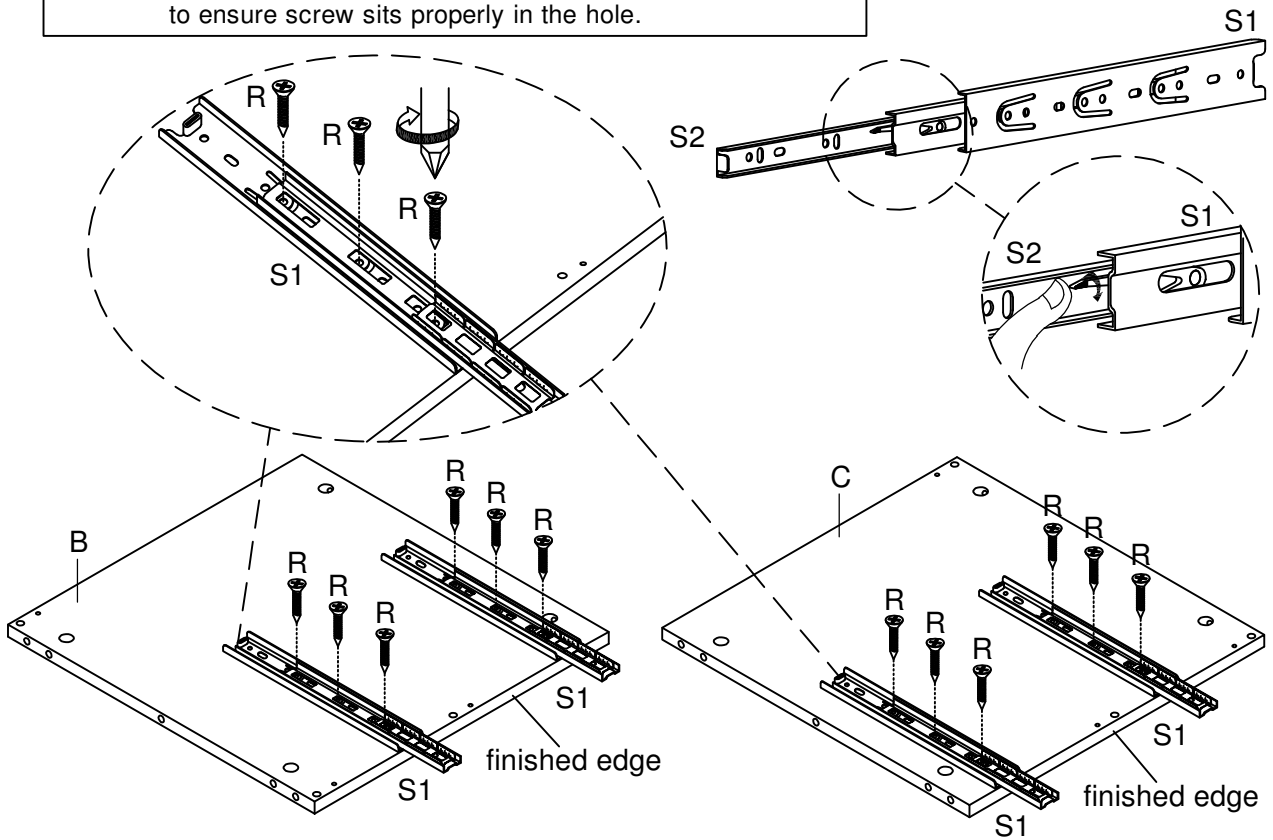
- 2** Insert Minifix Cam Lock (P) and Wood Dowel (Q) to the Top & Center Support Rail (K & L) as shown.

NOTE : - Make sure arrows on each Minifix Cam Lock (P) points towards nearest edge with holes.



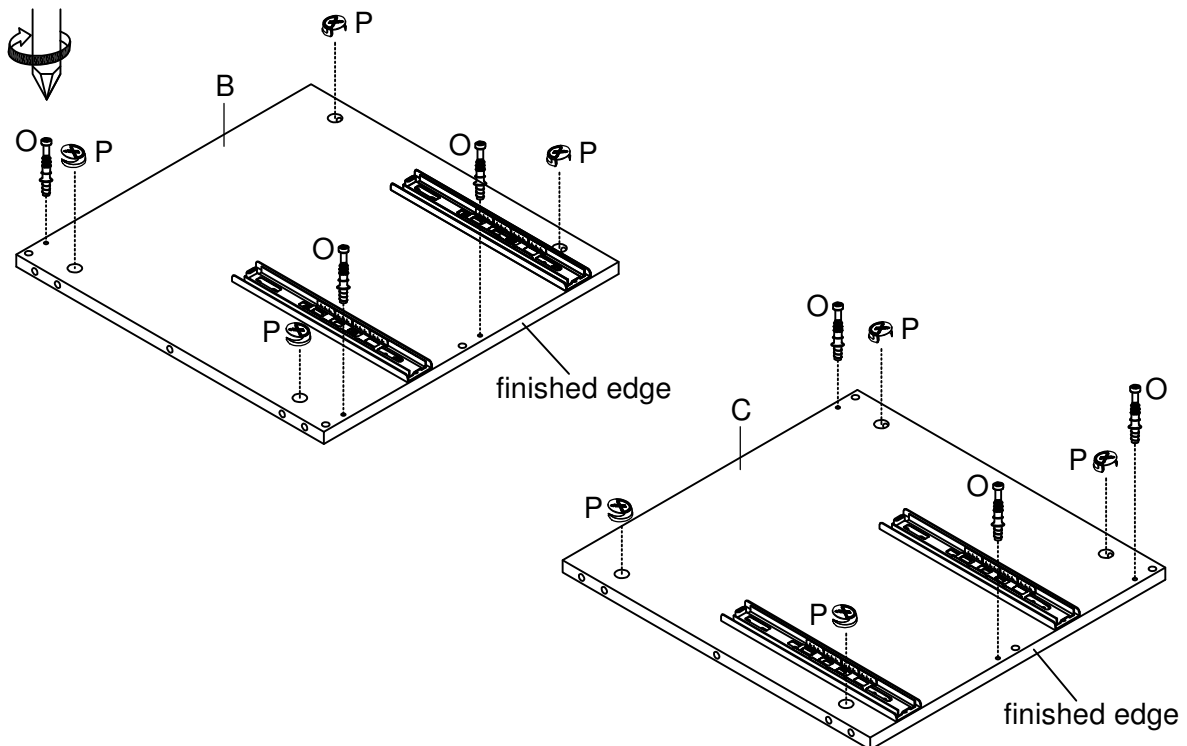
3 Fix the Drawer Slide (S1) to the Left & Right Side Panel (B & C) using Csk Screw (R) with screwdriver (not provided).

NOTE : - Separate the Drawer Slide (S) into S1 and S2.
- Make sure the screws are installed vertically without slant to ensure screw sits properly in the hole.

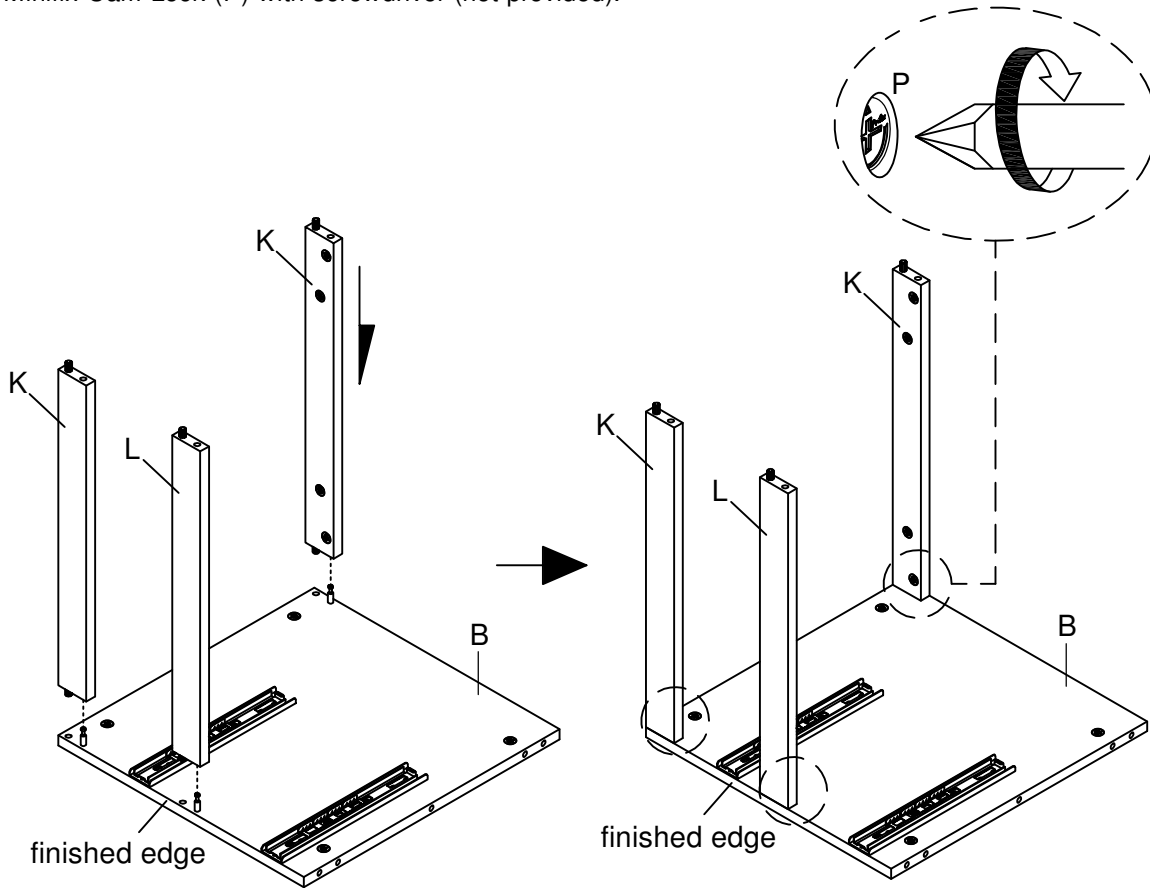


4 Insert Minifix Cam Bolt (O) and Minifix Cam Lock (P) to the Left & Right Side Panel (B & C) as shown.

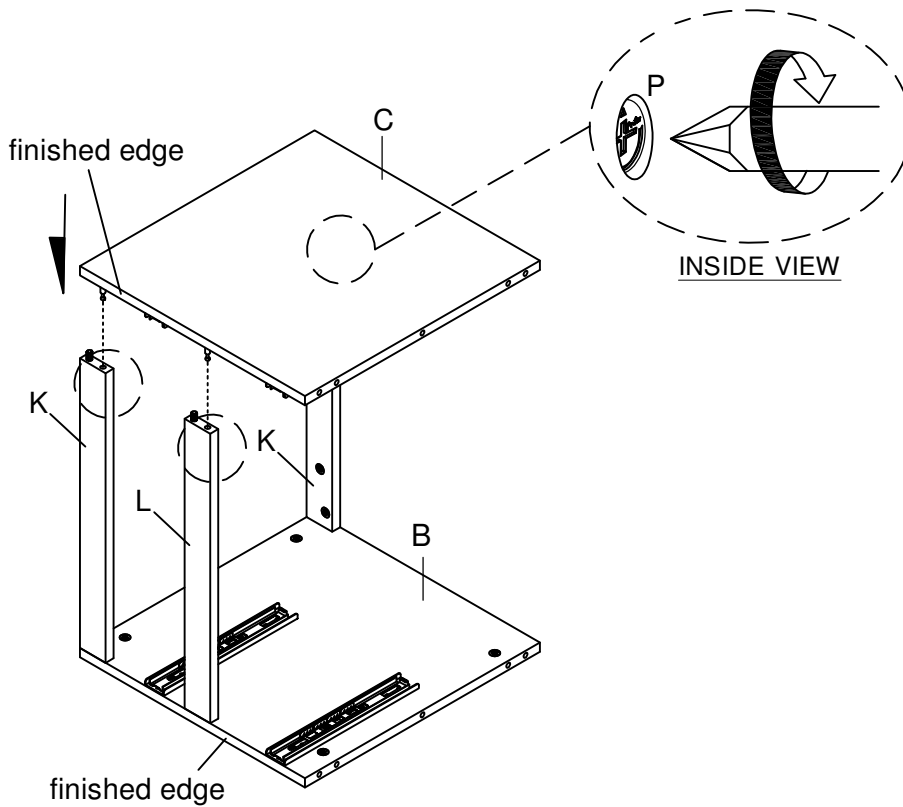
NOTE : - Make sure arrows on each Minifix Cam Lock (P) points towards nearest edge with holes.



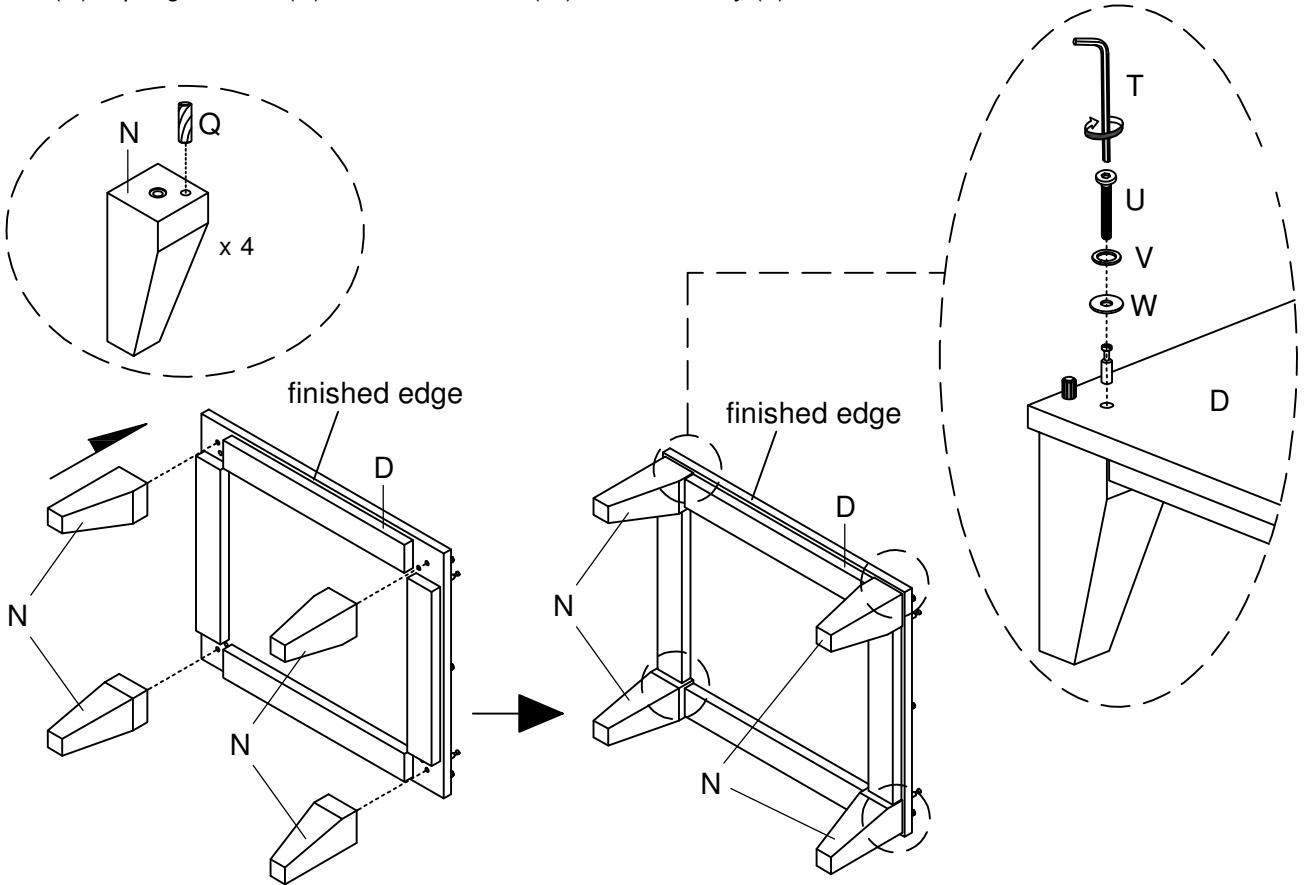
- 5** Attach the Top Support Rail (K) and Center Support Rail (L) to the Left Side Panel (B) and tighten the Minifix Cam Lock (P) with screwdriver (not provided).



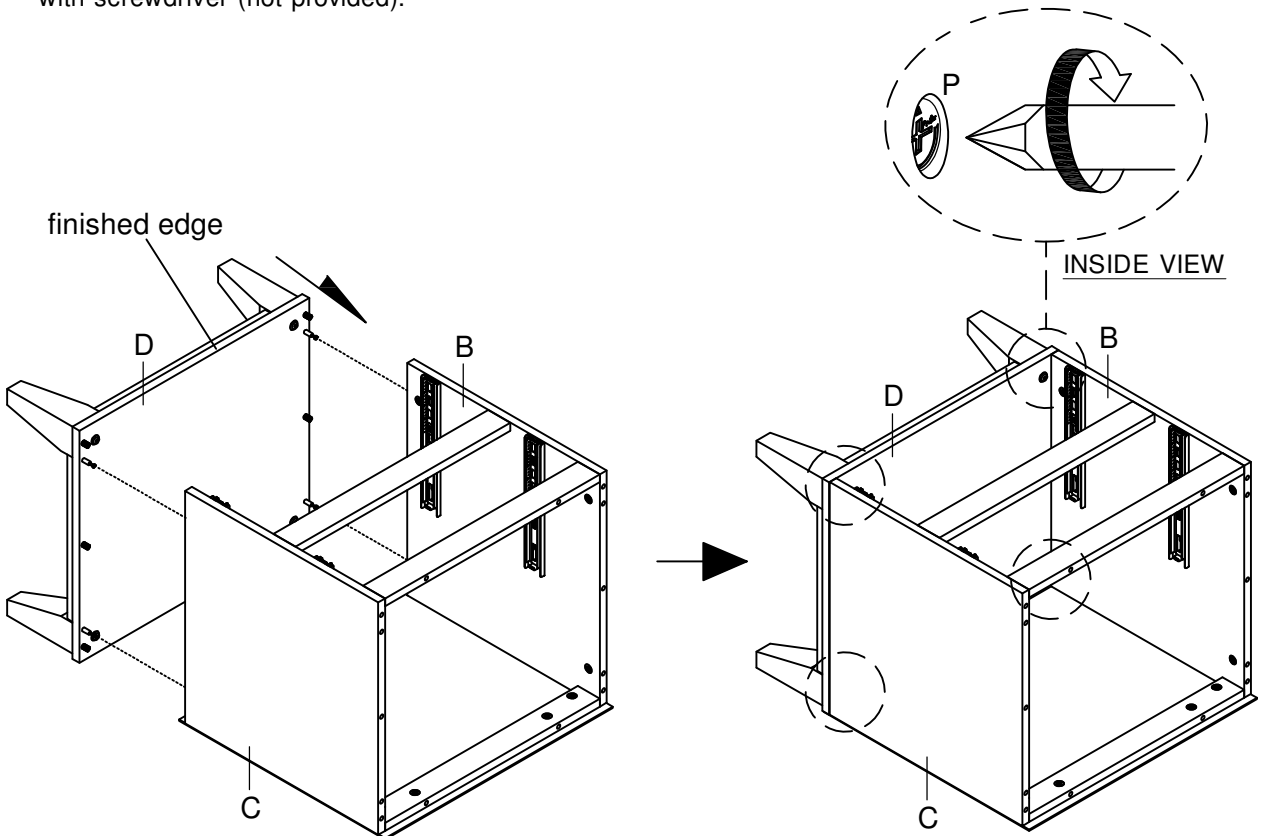
- 6** Attach the Right Side Panel (C) to the Top & Center Support Rail (K & L) and tighten the Minifix Cam Lock (P) with screwdriver (not provided).



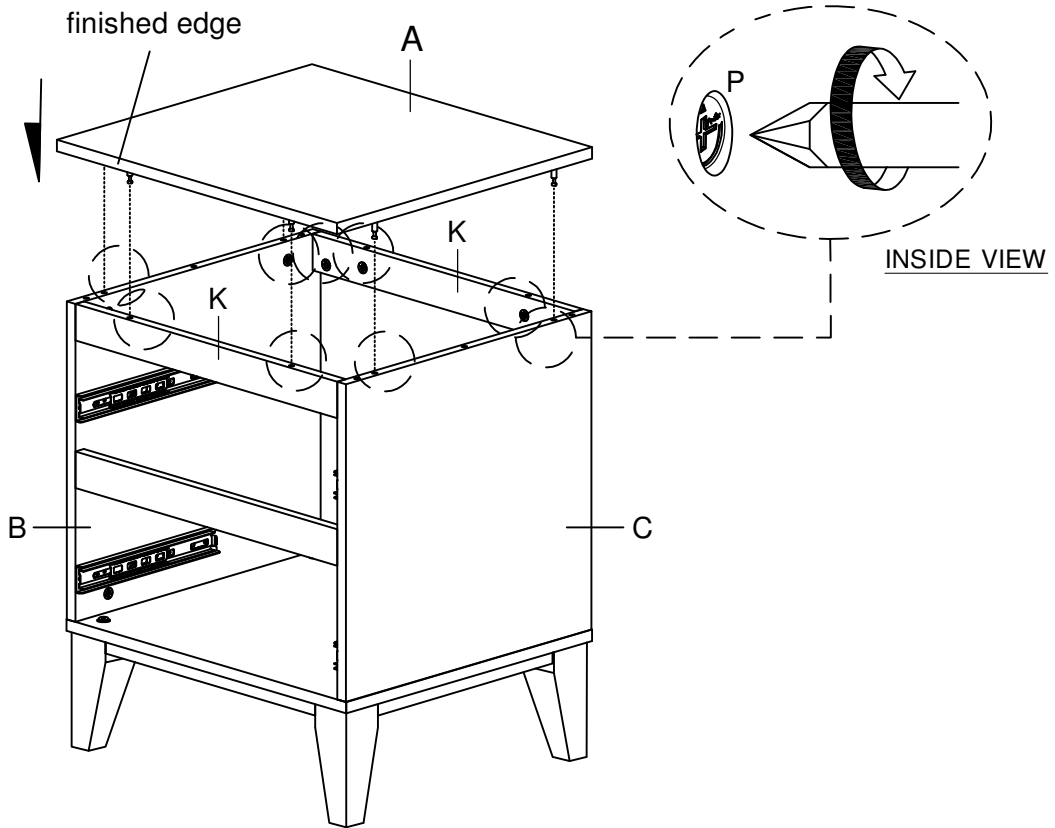
7 Insert Wood Dowel (Q) into the Leg (N). Attach the Leg (N) to the Bottom Panel (D) using JCBC Screw (U), Spring Washer (V) and Flat Washer (W) with Allen Key (T).



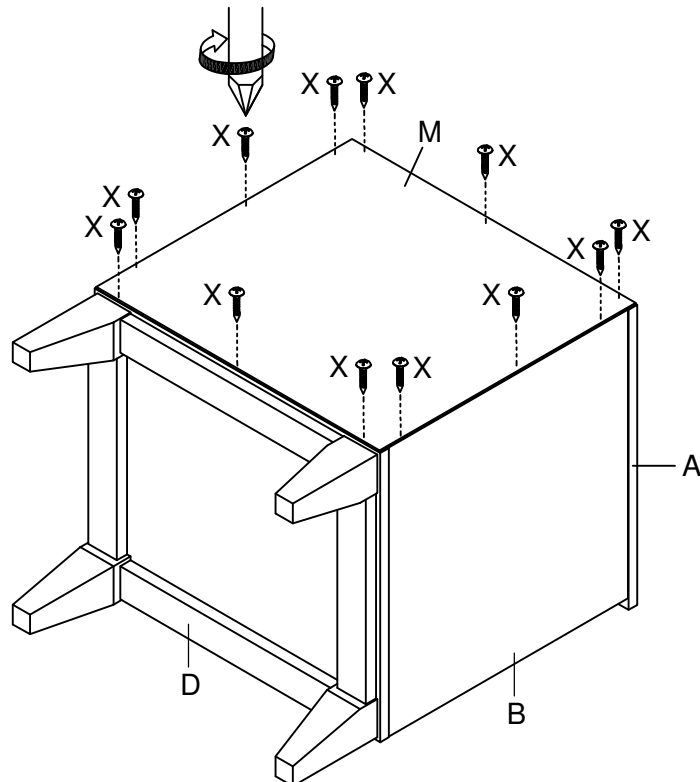
8 Attach the Bottom Panel (D) to the Left & Right Side Panel (B & C) and tighten the Minifix Cam Lock (P) with screwdriver (not provided).



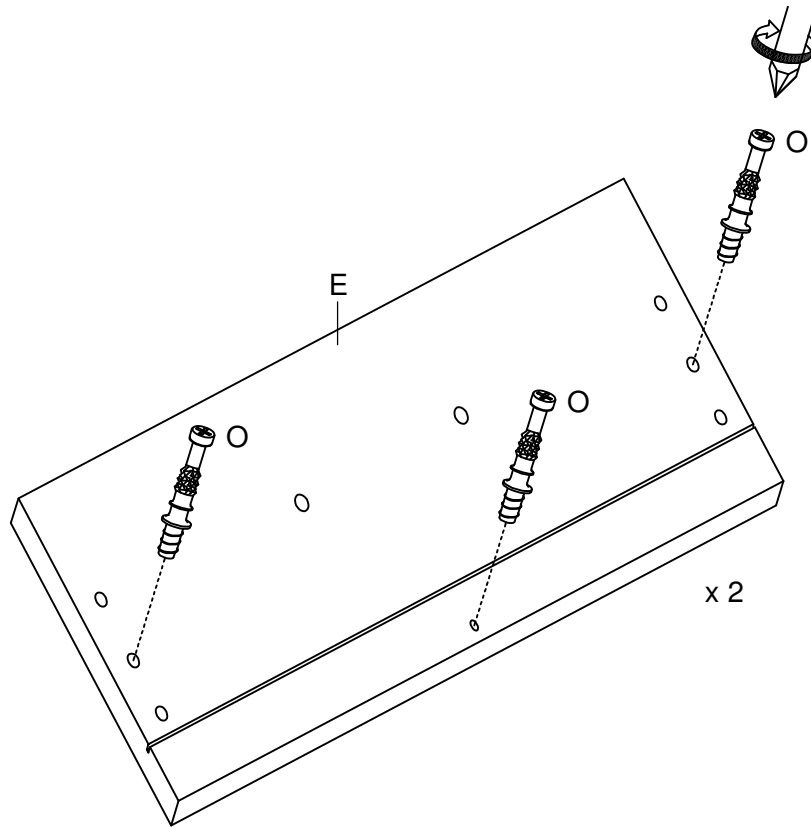
- 9** Attach the Top Panel (A) to the Left & Right Side Panel (B & C) and Top Support Rail (K) and tighten the Minifix Cam Lock (P) with screwdriver (not provided).



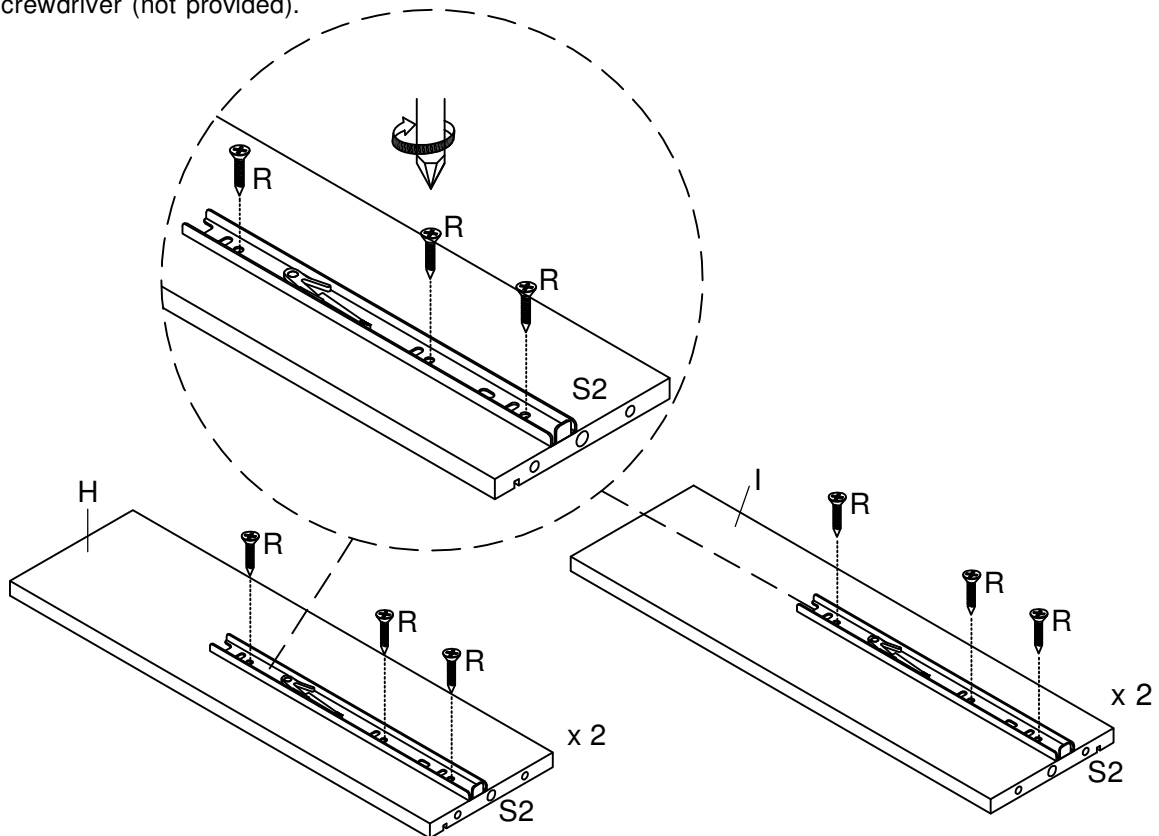
- 10** Attach the Back Panel (M) to the assembled unit using Panhead Screw (X) with screwdriver (not provided).



11 Insert Minifix Cam Bolt (O) into the Drawer Front (E) with screwdriver (not provided) as shown.

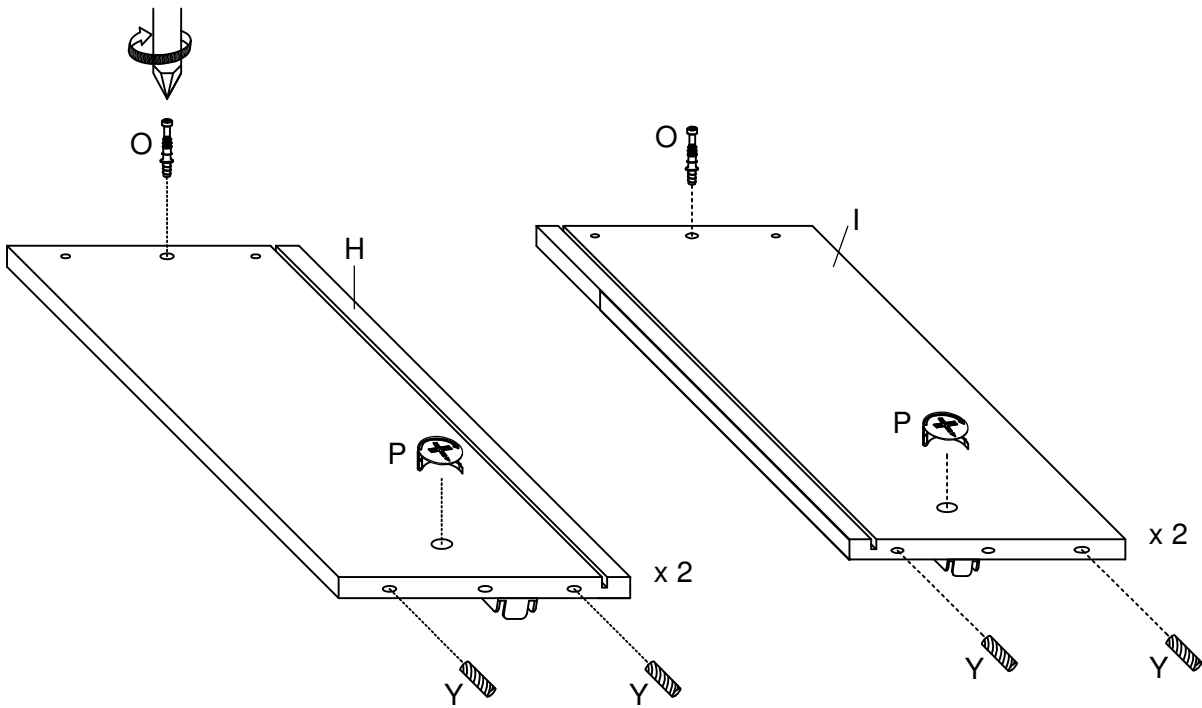


12 Fix the Drawer Slide (S2) to the Drawer Left & Right Side Panel (H & I) using Csk Screw (R) with screwdriver (not provided).



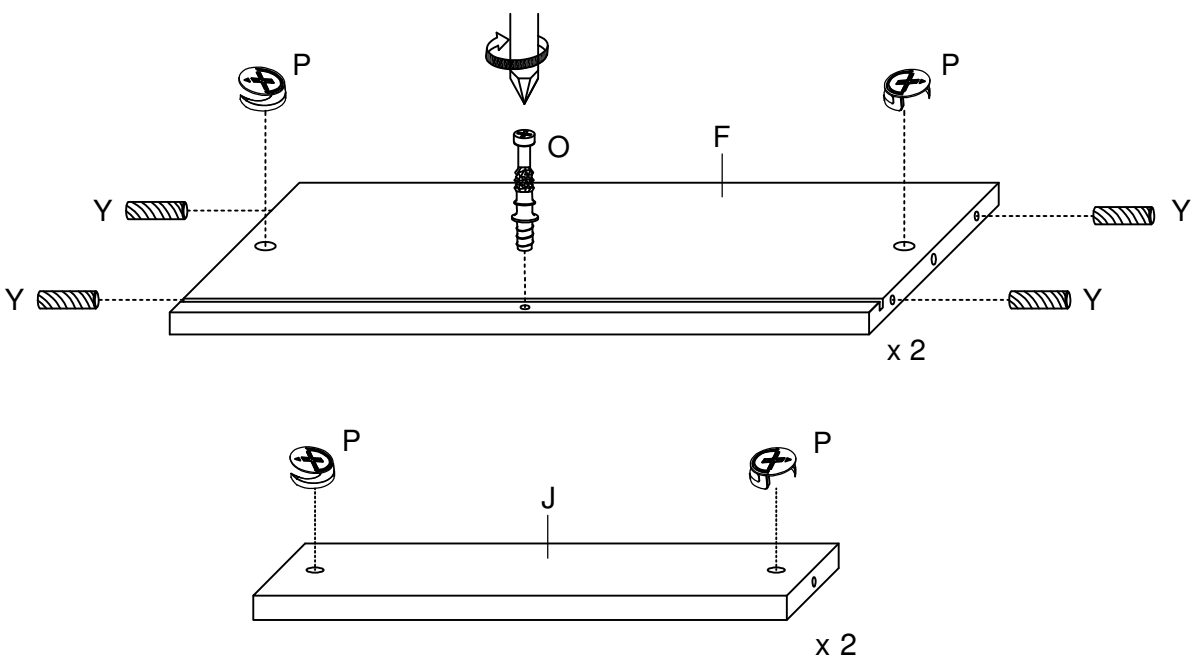
- 13** Insert Minifix Cam Bolt (O), Minifix Cam Lock (P) and Wood Dowel (Y) to Drawer Left & Right Side Panel (H & I) as shown.

NOTE : - Make sure arrows on each Minifix Cam Lock (P) points towards nearest edge with holes.

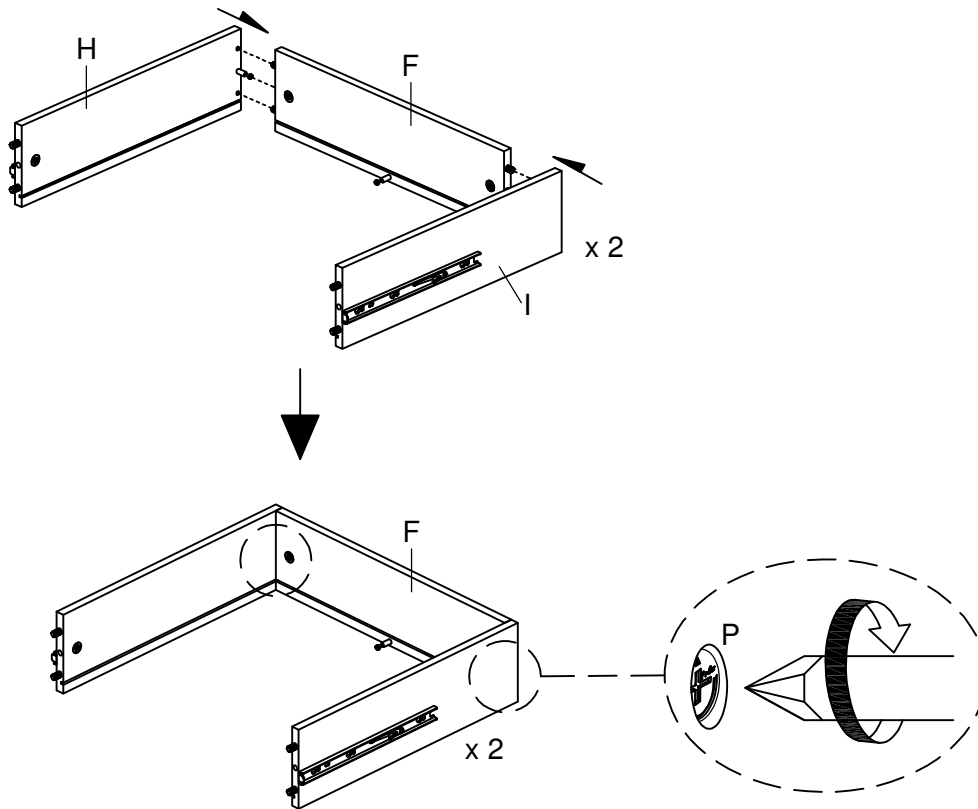


- 14** Insert Minifix Cam Bolt (O), Minifix Cam Lock (P) and Wood Dowel (Y) into the Drawer Back Panel (F) as shown. Then insert Minifix Cam Lock (P) into Drawer Bottom Support Rail (J) as shown.

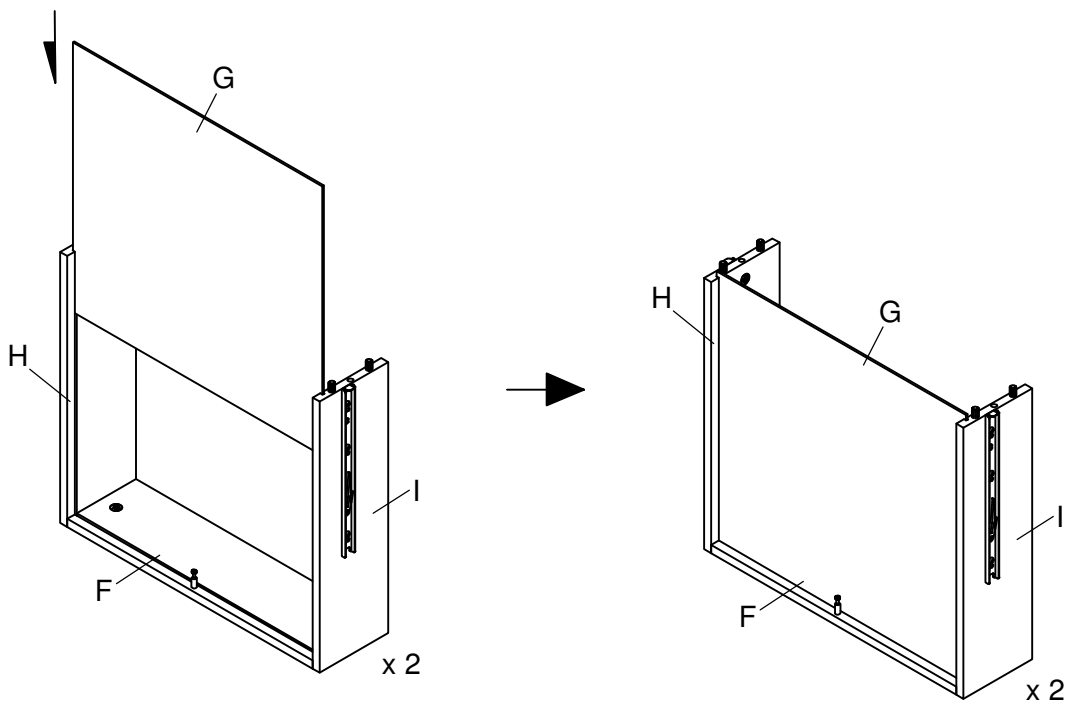
NOTE : - Make sure arrows on each Minifix Cam Lock (P) points towards nearest edge with holes.



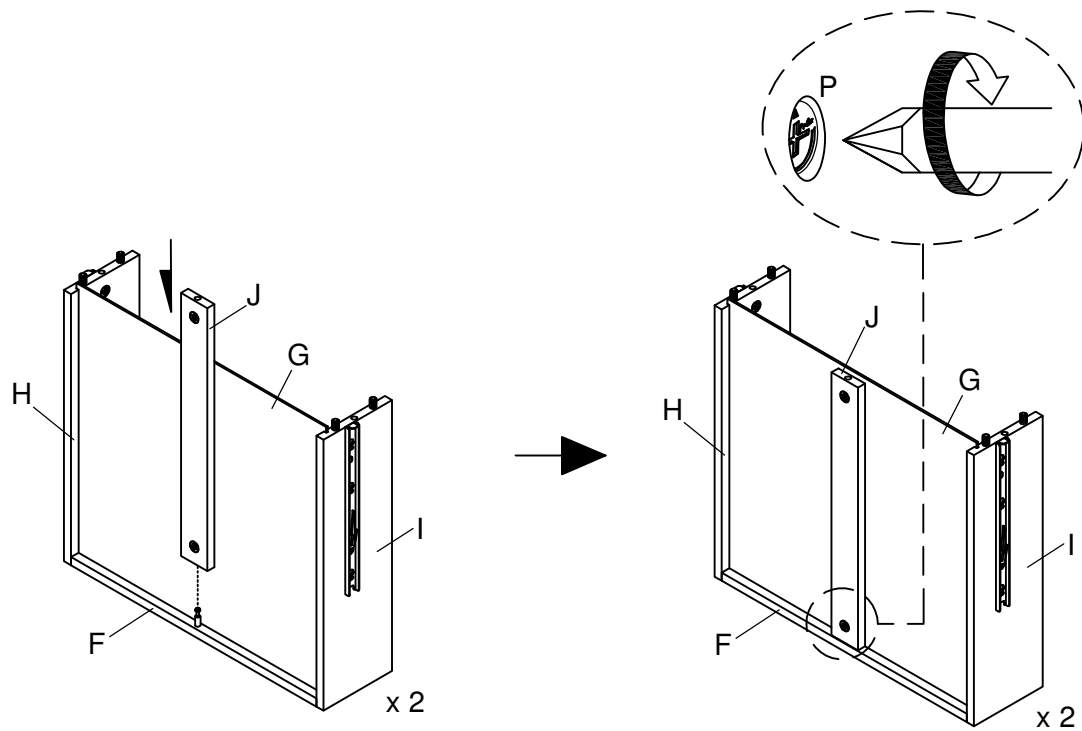
- 15** Attach the Drawer Left & Right Side Panel (H & I) to the Drawer Back Panel (F) and tighten the Minifix Cam Lock (P) with screwdriver (not provided).



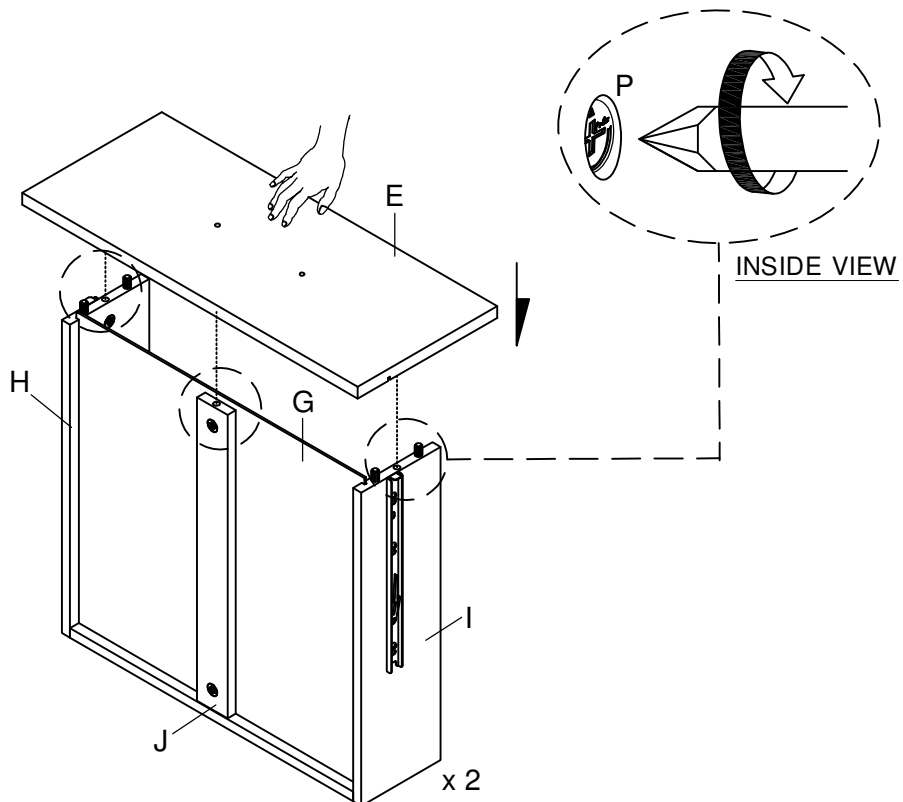
- 16** Put the Drawer Bottom Panel (G) into the gap of the Drawer Left & Right Side Panel (H & I) and Drawer Back Panel (F) as shown.



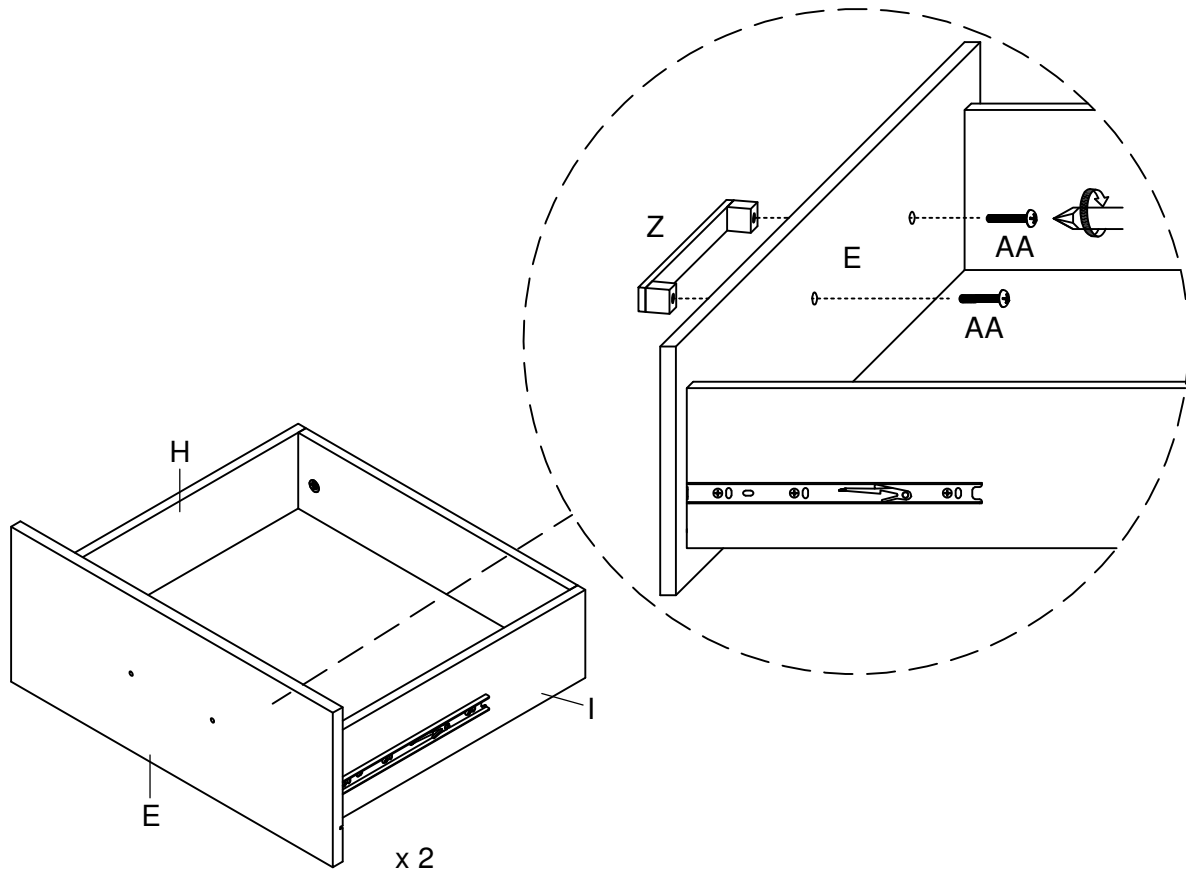
- 17** Attach the Drawer Bottom Support Rail (J) to the Drawer Back Panel (F) and tighten the Minifix Cam Lock (P) with screwdriver (not provided).



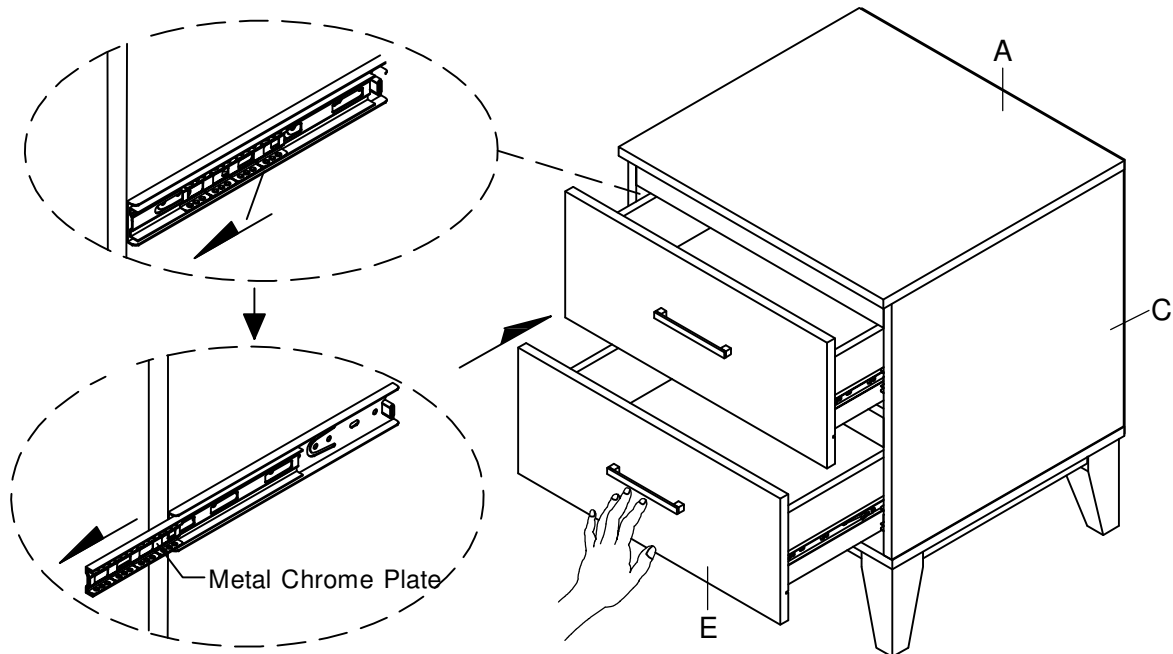
- 18** Attach the Drawer Front (E) to the drawer frame and tighten the Minifix Cam Lock (P) with screwdriver (not provided).



19 Attach the Handle (Z) to the Drawer Front (E) using Truss M-Screw (AA) with screwdriver (not provided).



20 Slide out the bearing and align the position then push the 2 pieces drawers to inside exactly by your hand as shown.



Cleaning & Care

Treat surfaces with care. Surfaces are resistant to scratches but are not scratch resistant. Clean surfaces with a dry or damp soft cloth. Do not use abrasive cleaners. Hardware may loosen over time. Periodically check that all connections are tight.