

**MONAE**  
**PD11710-5CCT**  
**PENDANTS**

PROJECT



PD11710-BK-5CCT  
 Black

PD11710-BG-5CCT  
 Black

**SPECIFICATION DETAILS**

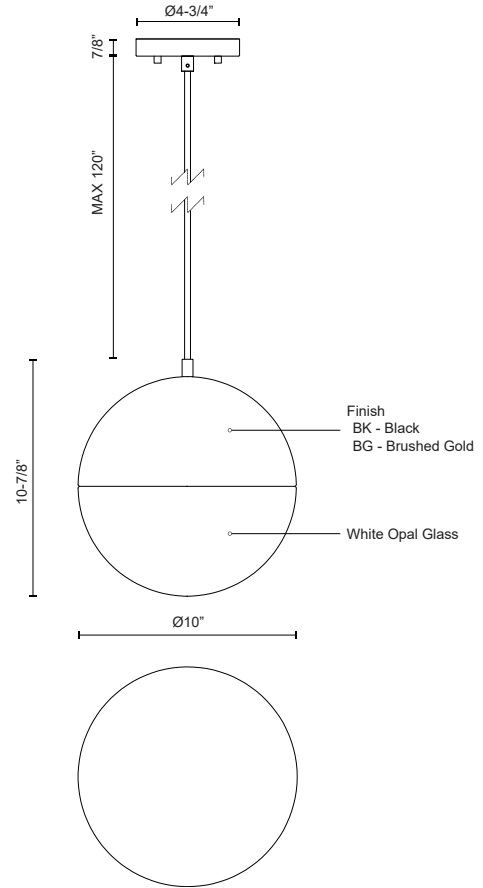
<b>Fixture Dimensions</b>	D10" x H10-7/8"
<b>Light Source</b>	AC LED Module
<b>Wattage</b>	24W
<b>Total Lumens</b>	2000lm
<b>Delivered Lumens</b>	BG-1115lm; BK-1095lm
<b>Voltage</b>	120V
<b>Color Temperature</b>	Selectable CCT 2700K/3000K/3500K/4000K/5000K
<b>CRI (Ra)</b>	90CRI
<b>LED Rated Life</b>	50,000 hours
<b>Dimming</b>	100% - 10%, ELV Dimmer (Not Included)
<b>Glass Details</b>	Opal Glass
<b>Adjustable</b>	Yes
<b>Wire Length</b>	120" Max
<b>Wire Type</b>	Black Braided Cord
<b>Minimum Hang Height</b>	15"
<b>Location</b>	Dry
<b>Canopy Dimensions</b>	D4-3/4" x H7/8"
<b>Sloped Ceiling Adaptable</b>	Yes
<b>CEC Title 24 JA8</b>	Yes, JA8-2022
<b>Paint Finish</b>	BK02; BG01

\* For custom options, consult factory for details.

\* For warranty information, please visit [www.kuzcolighting.com/warranty](http://www.kuzcolighting.com/warranty)

**DESCRIPTION**

One of our best-selling designs is the retro-style Monae Collection. These decadent orb-shaped lamps are available in a striking black or gold finish that plays well with modern and retro décor. Available in three different-sized pendants with 120" cables.



**KUZCO**

CANADA: 19054 28TH AVENUE - SURREY, BC V3Z 6M3  
 USA: 3035 E. LONE MOUNTAIN ROAD - LAS VEGAS, NV 89081

[WWW.KUZCOLIGHTING.COM](http://WWW.KUZCOLIGHTING.COM)

© 2024 KUZCO LIGHTING. ALL RIGHTS RESERVED.

**COMMENT**

