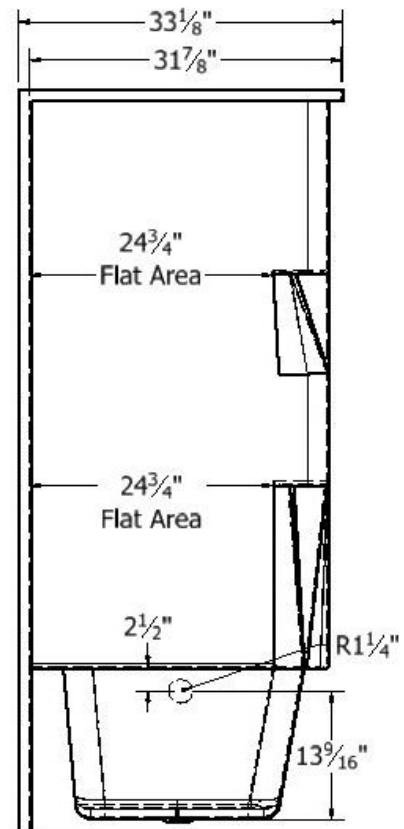
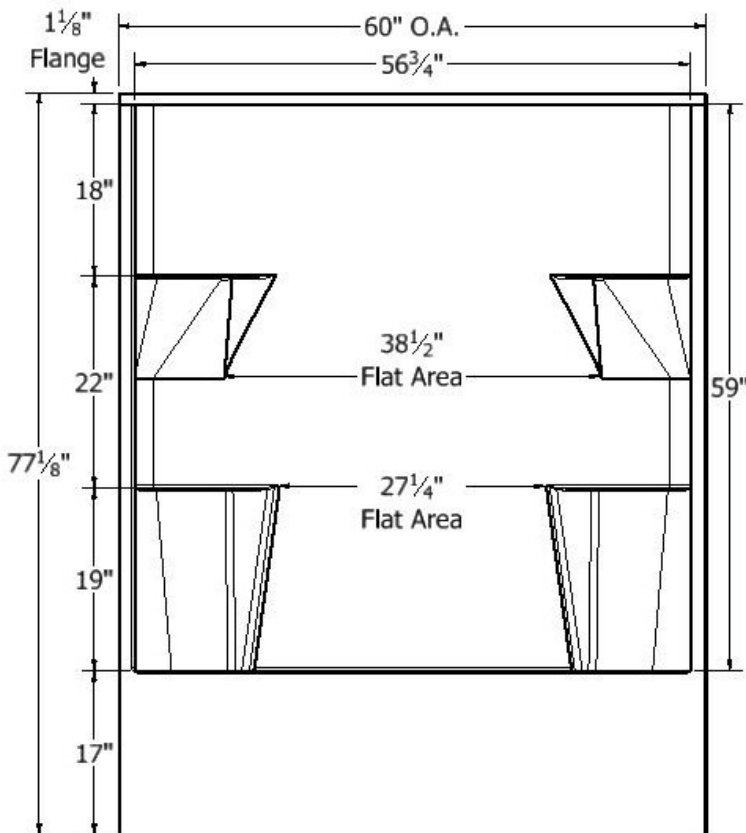
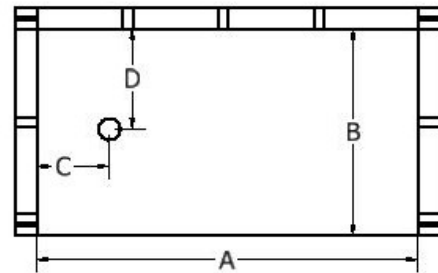
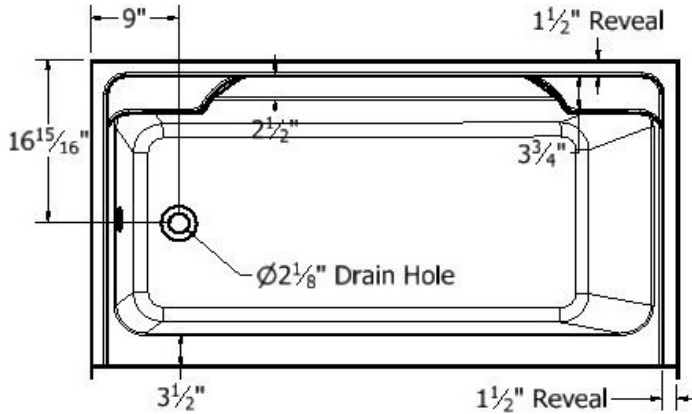


Specifications

Model #	Material	Wall Finish	Pieces	Drain	Threshold Height	Net Weight Lbs.
TZ 603377	Fiberglass/Gelcoat	Smooth	1	L/R	17"	
Enclosure Opening		Sump Capacity				
Width	Height					
60"	59"	52.4 Gallons				

Framing Dimensions

A	B	C	D
60"	33 1/8"	9"	16 15/16"



Certified to conform to ANSI Z124.1 and ASTM E-162 Flame Spread Rating 200 or less and is under a program of factory

Manufactured by Frontline Mfg., Inc. Warsaw, IN



12/13/24

