

Rite-Temp® | K-11748-KS

1/2" pressure-balancing valve with push-button diverter and screwdriver stops

Features

- Rite-Temp® pressure-balancing diaphragm design
- Pressure-balancing mechanism of one-piece diaphragm cartridge design for ease of maintenance
- Mixing valve cycles from "cold" to "hot"
- Integral diverter mechanism
- High-temperature limit setting for added safety
- Available with or without screwdriver stops
- Designed for showerhead and handshower applications



Available Colors/Finishes

Color tiles intended for reference only.

^{NA} NA Not Applicable



Codes/Standards

ASME A112.18.1/CSA B125.1
ASSE 1016/ASME A112.1016/CSA B125.16
California Energy Commission (CEC)

Valves

Included Valves: Diverter, Pressure Balance

Shower Valve

Flow Rate Maximum @ 45 psi: 5 gpm (18.9 l/min)

Pressure: 45 psi (3.1 bar)

Maximum Static Pressure: 125 psi (8.6 bar)

Minimum Operating Pressure: 20 psi (1.4 bar)

Material

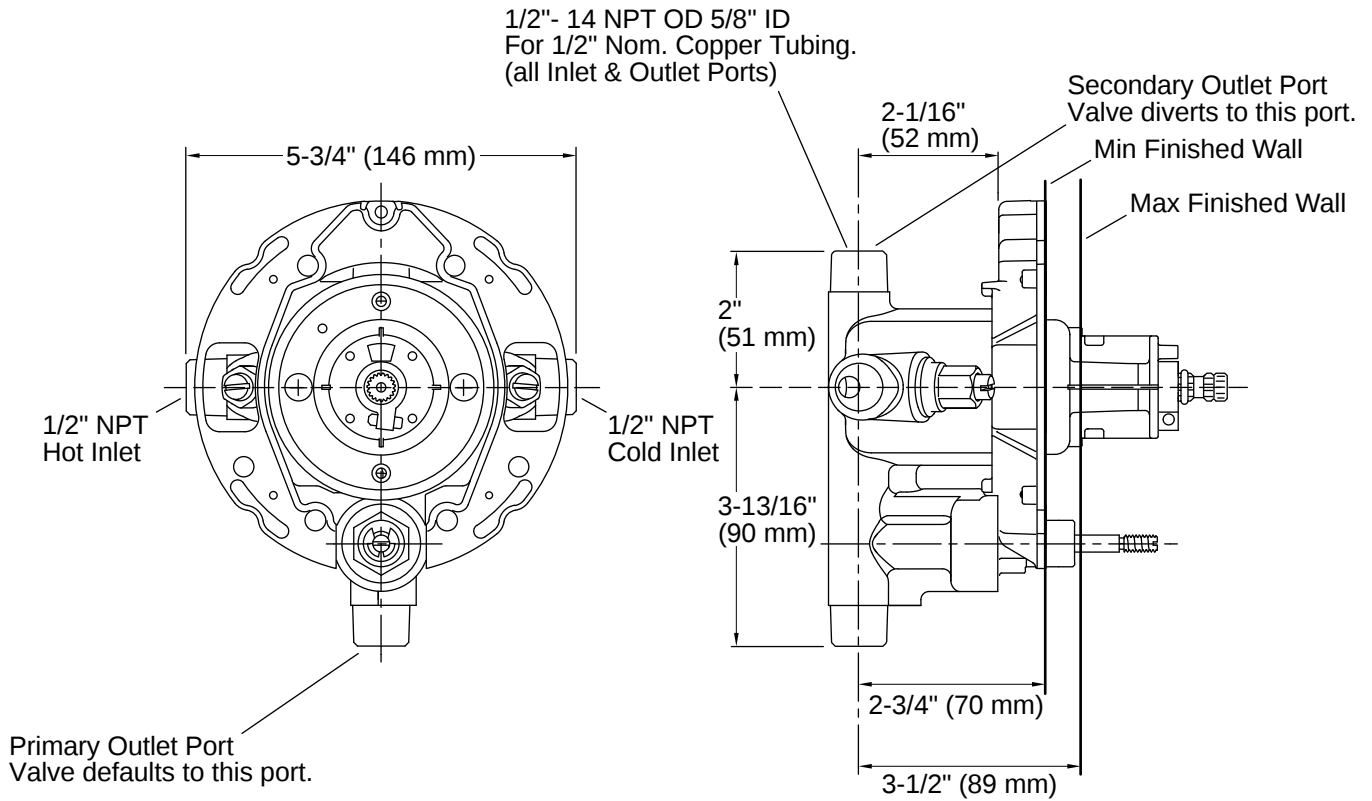
- Brass valve bodies
-

Warranty

See website for detailed warranty information.

KOHLER® Faucet Lifetime Limited Warranty





Installation Notes

Install this product according to the installation instructions.

For use with showerheads or handsprays rated at 0 gal/min (0 l/min) or higher.

