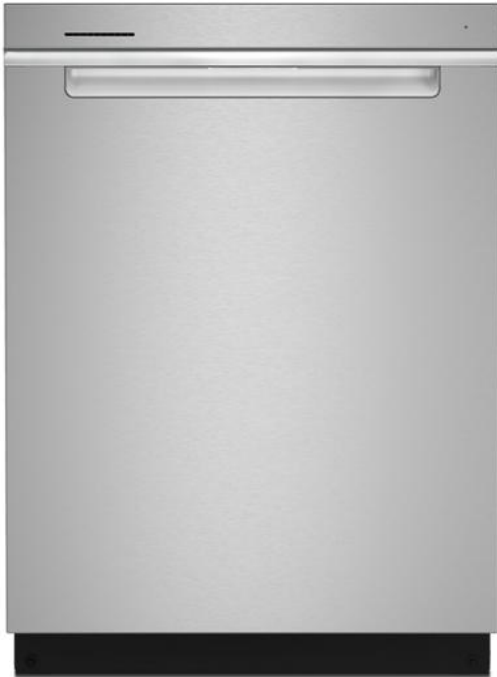


WDTA50SAKZ



## Large Capacity Dishwasher with 3rd Rack

<http://www.whirlpool.com>



### Key Features:

- 3rd rack
- Adjustable 2nd rack
- 3-piece silverware basket
- Fingerprint resistant
- Folding tines
- Sensor cycle
- Soil sensor
- Normal cycle
- Heavy cycle
- 1–24 Hour Delay Start
- Quick Wash cycle
- Soak & Clean cycle

### Product Dimensions:

Height: 34 7/16

Width: 23 7/8

### Additional Information:

[Dimension Guide](#)

[Energy Guide](#)

[Warranty Certificate](#)

### Available in:

- Black
- Biscuit
- Black Stainless
- White
- Fingerprint Resistant Stainless Steel



©Registered trademark/TM Trademark of Whirlpool, U.S.A. © 2016 Whirlpool Corporation. All Rights Reserved. All other trademarks are owned by their respective companies.

Because Whirlpool Corporation policy includes a continuous commitment to improve our products, we reserve the right to change materials and specifications without notice. We also reserve the right to discontinue or transition products without notice.

Manufacturer's Suggested Retail Price (MSRP) and Minimum Advertised Price (MAP) provided for reference purposes only. Dealer alone determines advertised and retail prices.

Created On: Monday, August 03, 2020 05:22:05

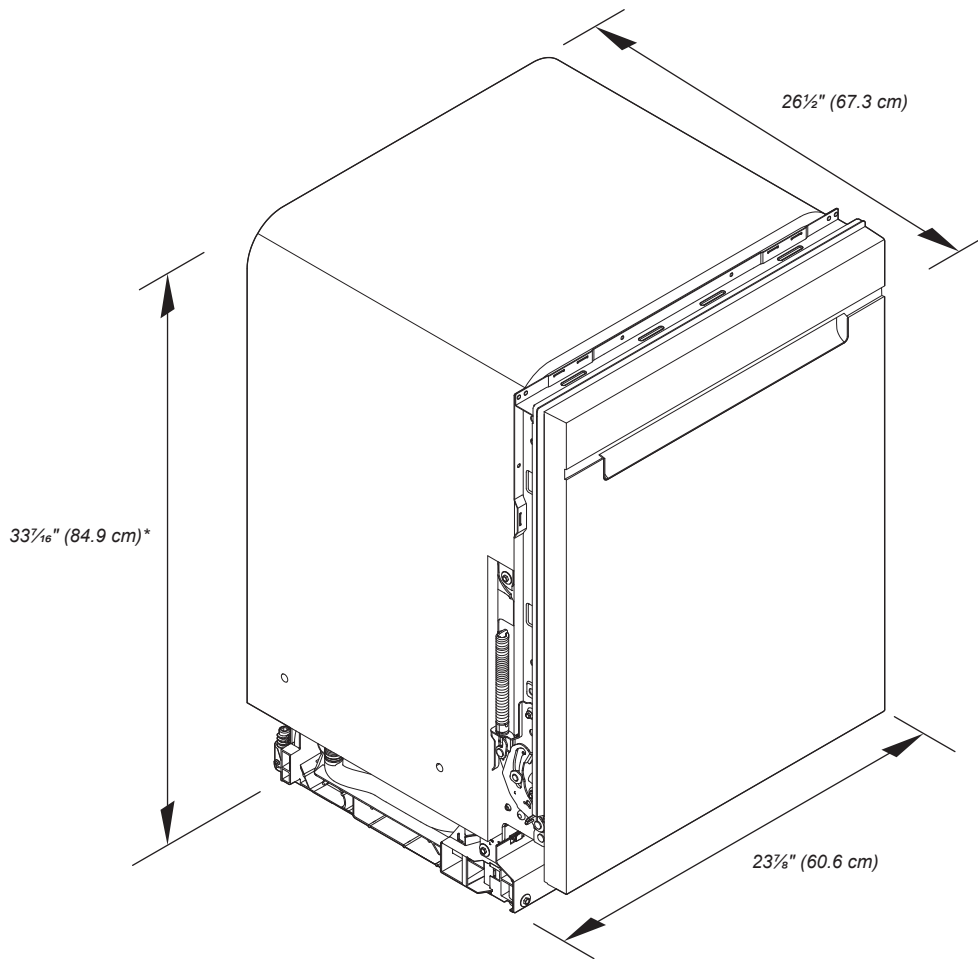


# 24" Dishwasher

## DETAILED PLANNING DIMENSIONS GUIDE

Applies to all model numbers starting with;  
WDTA50SAK, WDT750SAKW0, WDTA80SAKZ0

### PRODUCT DIMENSIONS



\*Dishwasher can be raised 1 7/16" (3.7 cm) with feet fully extended.

Because Whirlpool Corporation policy includes a continuous commitment to improve our products, we reserve the right to change materials and specifications without notice.

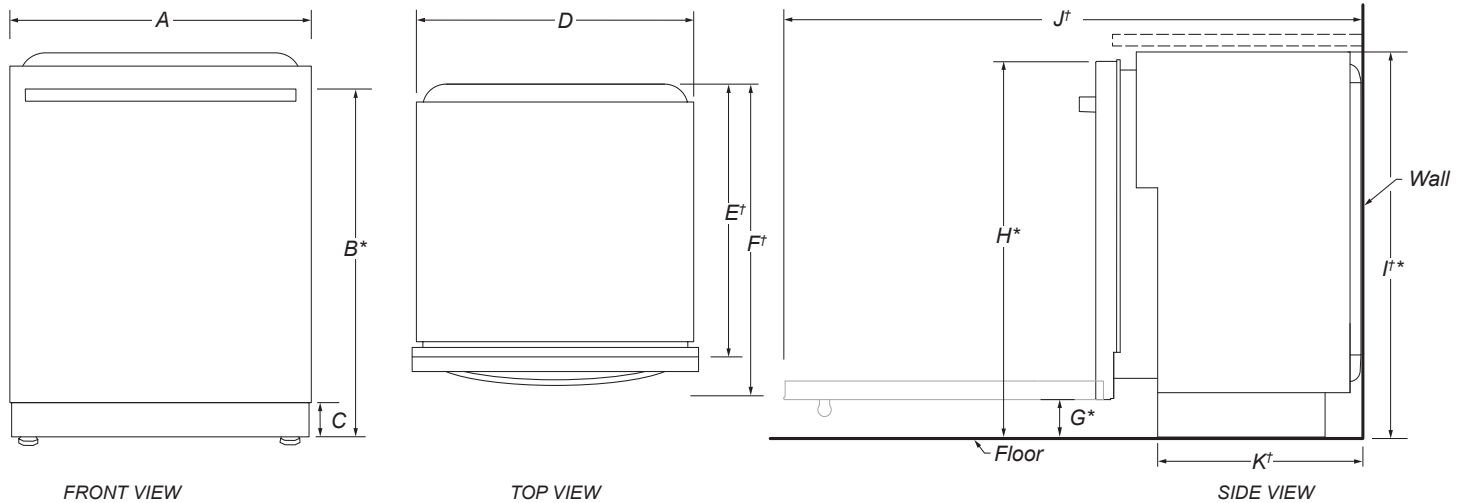
Dimensions are for planning purposes only. For complete details, see Installation Instructions packed with product. Specifications subject to change without notice.



# 24" Dishwasher

## DETAILED PLANNING DIMENSIONS GUIDE

### PRODUCT DIMENSIONS (CONTD.)



	DESCRIPTION	DIMENSIONS
A	Width of door	23 <sup>7</sup> / <sub>8</sub> " (60.6 cm)
B*	Height to top of handle	31 <sup>9</sup> / <sub>16</sub> " (80.1 cm)
C	Height of adjustable toe kick	3 <sup>1</sup> / <sub>2</sub> " (8.8 cm) - min. 4 <sup>1</sup> / <sub>4</sub> " (10.8 cm) - max.
D	Width of recessed dishwasher	23 <sup>7</sup> / <sub>8</sub> " (60.6 cm)
E†	Depth without door	22 <sup>5</sup> / <sub>8</sub> " ( 57.5 cm)
F†	Depth with Towel Bar Handle	26 <sup>1</sup> / <sub>2</sub> " (67.3 cm)
	Depth with Pocket Handle	24 <sup>1</sup> / <sub>2</sub> " (62.2 cm)
G*	Height to bottom of door (min.)	3 <sup>5</sup> / <sub>16</sub> " (8.4 cm)
H*	Height to top of door (min.)	33 <sup>7</sup> / <sub>16</sub> " (84.9 cm)
I*	Height of recessed dishwasher (min.)	33 <sup>5</sup> / <sub>8</sub> " (85.4 cm)
J†	Depth with door fully open (min.)	50 <sup>9</sup> / <sub>16</sub> " (127.4 cm)
K†	Depth with toe kick (min.)	20 <sup>13</sup> / <sub>16</sub> " (52.9 cm)

†Insulation blanket thickness adds up to 11/16" (1.8 cm) but can crush up to 1/8" (0.3 cm).

\*Dishwasher can be raised 1<sup>7</sup>/<sub>16</sub>" (3.7 cm) with feet fully extended.

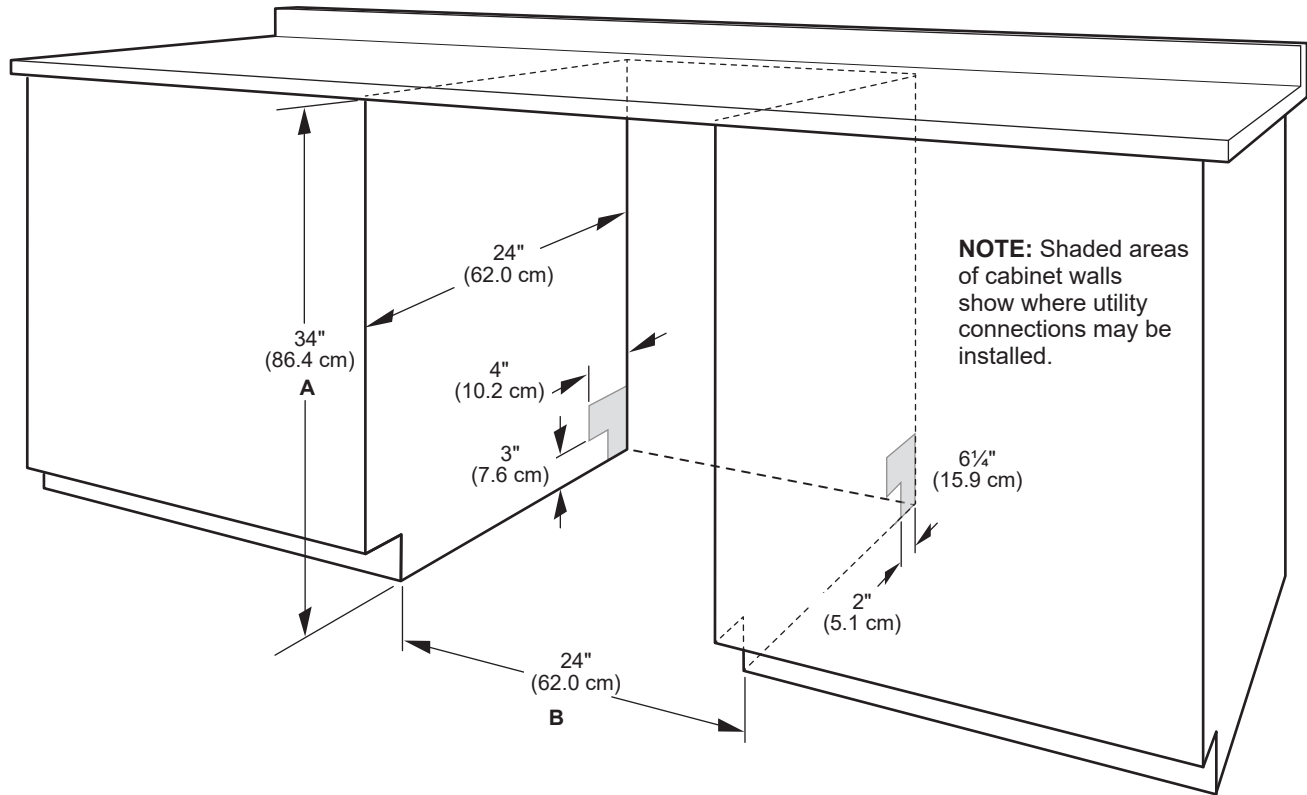


# 24" Dishwasher

## DETAILED PLANNING DIMENSIONS GUIDE

### OPENING/CLEARANCE DIMENSIONS

**IMPORTANT:** Check that all surfaces have no protrusions that would prohibit dishwasher installation.



A. Measured from the lowest point on the underside of the countertop. May be reduced to 33 1/2" (85.1 cm) by removing the wheels and perforated area of insulation (blanket) on dishwasher.

B. Minimum, measured from narrowest point of opening.

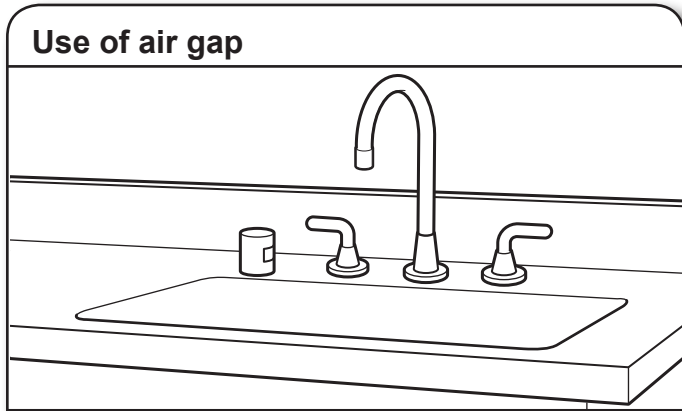
**NOTE:** Corner locations require a 2" (5.1 cm) minimum clearance between the side of the dishwasher door and the wall or cabinet.

## DRAIN REQUIREMENTS

- A new drain hose is supplied with your dishwasher. If drain hose is not long enough, use a new drain hose with a maximum length of 12 ft (3.7 m) that meets all current AHAM/ IAPMO test standards, is resistant to heat and detergent, and fits the 1" (2.5 cm) drain connector of the dishwasher.

**NOTE:** Do not connect multiple drain hoses together.

- Make sure to connect drain hose to waste tee or disposer inlet above drain trap in house plumbing and 20" (50.8 cm) minimum above the floor. It is recommended that the drain hose either be looped up and securely fastened to the underside of the counter or be connected to an air gap.
- Make sure to use an air gap if the drain hose is connected to house plumbing lower than 20" (50.8 cm) above subfloor or floor.



- If required, the air gap should be installed in accordance with the air gap installation instructions. When you are connecting the air gap, a rubber hose (not provided) will be needed to connect to the waste tee or disposer inlet.
- Use 1/2" (1.3 cm) minimum I.D. drain line fittings.

## WATER SUPPLY REQUIREMENTS

- This dishwasher has a water heating feature and also requires a connection to a hot water supply line.
- A hot water line with 20 psi to 120 psi (138 kPa to 862 kPa) water pressure can be verified by a licensed plumber.
- 120°F (49°C) water at dishwasher.
- 3/8" (0.95 cm) O.D. copper tubing with compression fitting or flexible braided water supply line.

**NOTE:** 1/2" (1.3 cm) minimum plastic tubing is not recommended.

- A 90° elbow with 3/4" (0.95 cm) hose connection with rubber washer.
- Do not solder within 6" (15.2 cm) of the water inlet valve.
- If installed in new construction, make sure the house water supply lines have been flushed prior to connecting the dishwasher to remove any debris that may exist in the supply line.

**NOTE:** If replacing an existing dishwasher, it is recommended to install a new water line and drain hose (supplied) with the new dishwasher.

## ELECTRICAL REQUIREMENTS

### ⚠ WARNING



#### Electrical Shock Hazard

**Plug into a grounded 3 prong outlet.**

**Do not remove ground prong.**

**Do not use an adapter.**

**Do not use an extension cord.**

**Failure to follow these instructions can result in death, fire, or electrical shock.**

Be sure that the electrical connection and wire size are adequate and in conformance with the National Electrical Code, ANSI/NFPA 70 - latest edition, and all local codes and ordinances.

A copy of the above code standards can be obtained from:

National Fire Protection Association  
1 Batterymarch Park  
Quincy, MA 02169-7471

#### You Must Have:

- 120 V, 60 Hz, AC only, 15 A or 20 A, fused electrical supply
- Copper wire only
- A maximum of 2 field wiring supply conductors (12 AWG largest size) plus 1 grounding conductor are permitted in the terminal box.


#### We Recommend:

- A time-delay fuse or circuit breaker.

#### Circuit Requirements:


- The dishwasher may be installed on the same circuit as a garbage disposal providing that the branch circuit cannot exceed rated circuit load and must comply with all governing codes and regulations such as but not limited to National Electrical Code, ANSI/NFPA 70 - latest edition.
- No electrical connections other than the dishwasher power and ground connections can be made inside of the dishwasher terminal box.

#### If connecting dishwasher with a power supply cord:

- Use UL Listed power cord kit marked for use with dishwasher. 

- Plug into a grounded 3 prong outlet. Outlet must meet all local codes and ordinances.

#### If connecting dishwasher with direct wiring:

- Use flexible, armored, or nonmetallic sheathed copper wire with grounding wire that meets the wiring requirements for your home and local codes and ordinances. 

- Use a UL Listed/CSA Approved metallic strain relief. 