

8 7 6 5 4 3 2 1

D

C

B

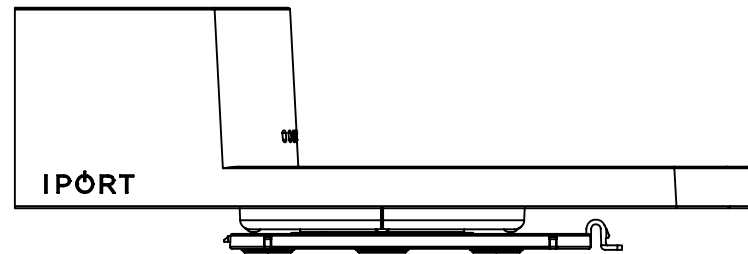
A

D

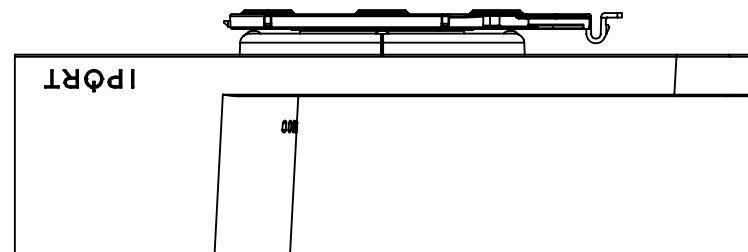
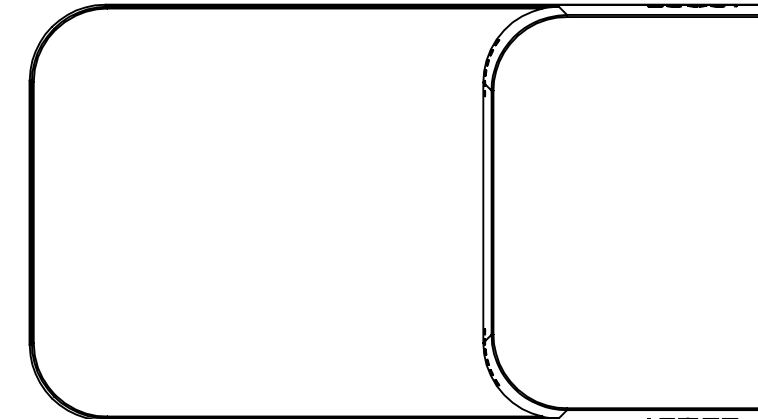
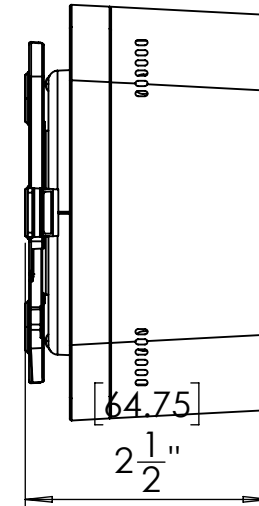
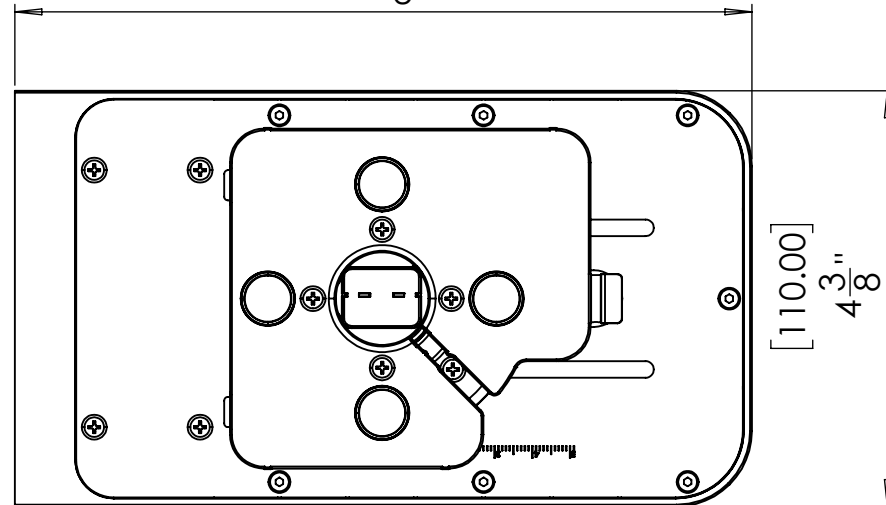
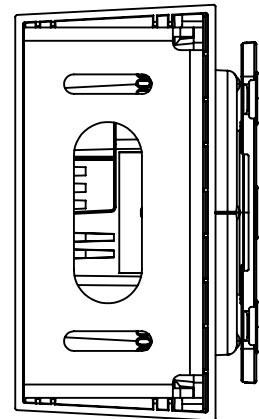
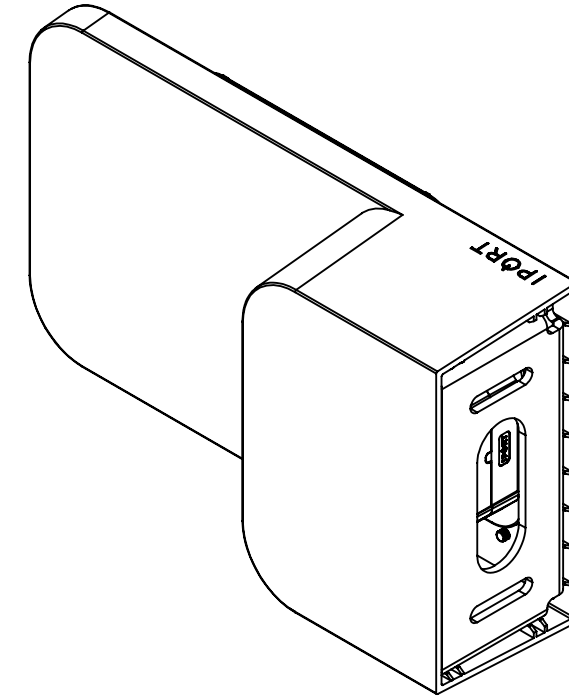
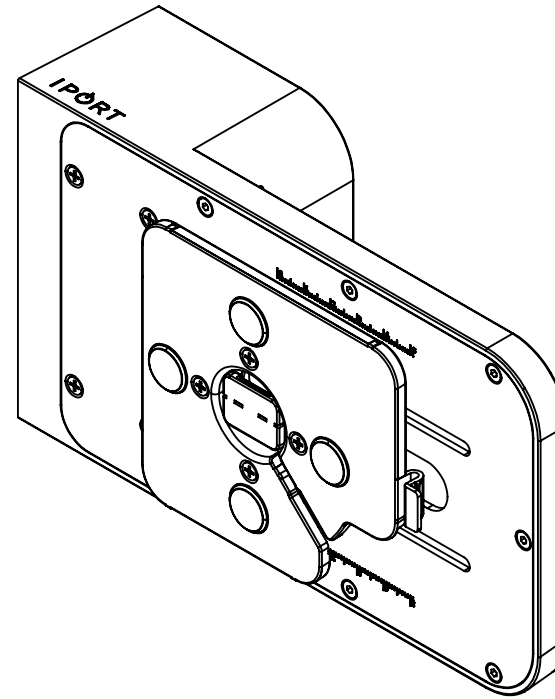
C

B

A






[195.00]
7 5/8"



PROPRIETARY AND CONFIDENTIAL
THE INFORMATION CONTAINED IN THIS DRAWING IS THE SOLE PROPERTY OF DANA INNOVATIONS. ANY REPRODUCTION IN PART OR AS A WHOLE WITHOUT THE WRITTEN PERMISSION OF DANA INNOVATIONS IS PROHIBITED.

UNLESS OTHERWISE SPECIFIED:		NAME	DATE
DIMENSIONS ARE IN INCHES [MM]			
TOLERANCES:		DRAWN	
FRACTIONAL ±		CHECKED	
ANGULAR ±		ENG. APP. Alex Bertagni	26 Mar 20
TWO PLACE DECIMAL ±		MFG. APP. Alex Bertagni	26 Mar 20
THREE PLACE DECIMAL ±		Q.A. APP.	
INTERPRET GEOMETRIC TOLERANCING PER:		COMMENTS:	
MATERIAL:			
FINISH:			
DO NOT SCALE DRAWING		RELEASED ON:	

DANA INNOVATIONS

TITLE:
72384 CONNECT MOUNT - SIDE BLK

SIZE **B** DWG. NO. **A** REV **A**

SCALE: 1:2	WT:	SHEET 1 OF 1
------------	-----	--------------

8 7 6 5 4 3 2 1