

OFS

LED Flood Light

Product Description

Introducing the OFS Flood Light, a pinnacle of high-performance illumination that redefines outdoor lighting. With a sleek and compact form, it offers high efficiency with improved aesthetic design features. It's constructed using the latest in LED technology, providing Selectable wattage and color temperature options via an integrated switch located on the backside. The OFS features a die-cast aluminum housing with a UV-stabilized powder-coat finish, and stainless-steel hardware for protection against the elements, ensuring long-lasting durability. The impact-resistant polycarbonate lens provides further protection while maintaining uniform light dispersion, enhanced by the 7H7V beam distribution pattern and a high CRI value for vivid clarity. The OFS includes both a knuckle mount (pre-installed) and a yoke mount to suit your installation preference, for added versatility. Effortlessly improve landscapes, signage, facades, pathways, and open spaces with the OFS, where superior lighting and style converge.

Construction

- Die-cast aluminum housing routes heat away from electrical components
- Stainless steel hardware
- Fine-textured, UV-stabilized powder coat bronze finish

Optical System

- Impact-resistant polycarbonate lens creates uniform light distribution
- 7H7V distribution pattern
- Beam angle of 110°
- 80 CRI

Electrical

- Color Temperature and Wattage Selectable options; selector switches located on the backside of the fixture.
 - 3 CCT Select: 3000K-4000K-5000K
 - 2W Select: 35W/4500lm-50W/6500lm
- Input voltage of 120-277VAC, 50/60Hz
- Power factor: ≥ 0.9
- THD $\leq 20\%$
- 0-10V dimming standard
- Operating temperature range: -22°F to 113°F (-30°C to 45°C)
- Photocell is a standard feature (can be disabled in field)

Mounting and installation

- Knuckle and Yoke Mount included
- Knuckle
 - 1/2" threaded connector with locking nut
 - Adjustment range of 0° to $\pm 90^\circ$
 - Standard equipped on all models
- Yoke
 - Configured for a variety of mounting patterns
 - Adjustment range of 0° to 180°
- For installations where power surge may be possible, NICOR recommends installing additional surge protection at the electrical distribution panel

Listings

- cULus 1598 Listed for wet locations
- DLC 5.1 Premium Listed
- IP65 rated
- RoHS Compliant: Free from harmful and hazardous materials
- Meets FCC Part 15, Subpart B, Class A standards for conducted and radiated emissions
- TM-21 Reported L70 life >46,000 hours
- LM-79, LM-80 testing performed in accordance with IESNA standards

Warranty

- 5-year limited system warranty standard
- Warranty does not cover product failure due to an overvoltage event (power surge)

Project

Catalog

Type

Date



OFS
LED Flood Light
4,450 - 7150 Lumens
Wattage and CCT Selectable



Ordering

Ordering Information

Example: OFS1050SUS8PBZ

Series	Version	Wattage	Voltage	CCTs	CRI	Control	Finish
OFS	1	050S (35W & 50W)	U (120-277V)	S (3K /4K /5K)	8 (80 CRI)	P (Photocell) ¹	BZ (Bronze)

Specifications and dimensions subject to change without notice.

1. Photocell will come pre-wired but can be disabled when needed.
Please see the installation instructions on how to disable the sensor.

Performance Data

Performance Data					
Model Number	CCT	Lumens	Watts	Lumens/Watt	Distribution Pattern
OFS1050SUS8PBZ	3000	4445	35	127	7H7V
	4000	5005		143	
	5000	4795		137	
	3000	6350	50	127	
	4000	7150		143	
	5000	6850		137	

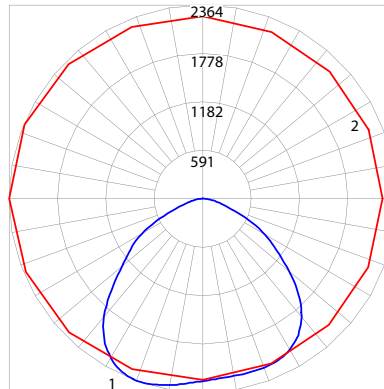
Photometric Data

OFS1050SUS-50W-5000K

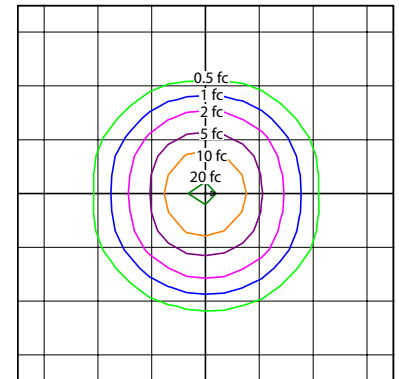
Input Voltage (VAC)	120
System Level Power (W)	48.92
Delivered Lumens (Lm)	6554.8
System Efficacy (Lm/W)	133.99
Correlated Color Temp (K)	5071
Color Rendering Index (CRI)	83
R9	6
Horizontal Beam Angle (°)	113.6
Vertical Beam Angle (°)	113.6
Spacing Criteria (0-180)	1.44
NEMA Type	7H7V

Intensity Summary (Candle Power)

Angle	Mean CP
0	2229
5	2207
15	2203
25	2177
35	2057
45	1745
55	1219
65	708
75	281
85	68
90	0



1 - Vertical Plane Through Horizontal Angle
2 - Horizontal Cone Through Vertical Angle



10' Mounting Height (1 square = 10 sq ft)

Zonal Lumen Summary

Zone	Lumens	% of Luminaire
0-30	1881	27.7%
0-40	3207	47.2%
0-60	5787	85.1%
0-90	6800	100%
90-180	0	0%
0-180	6800	100%

Data Multipliers

	3000K	4000K	5000K
35W	0.653	0.684	0.705
50W	0.992	1.015	1.000

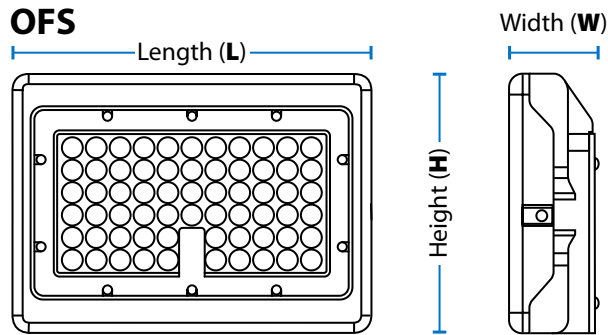
Cone of Light Tabulation

Mounted height (Feet)	Footcandles Beam Center	Diameter (Feet)
4	139.0	11.7
6	61.6	17.6
8	34.5	23.5
10	22.1	29.4
12	15.3	35.2
14	11.2	41.1
16	8.6	47.0

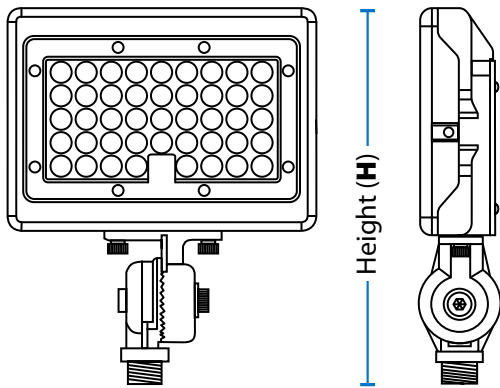
Fixture tested per LM-79-08. Photometric data is of the performance of a representative fixture. Results may vary in the field.

Dimensions

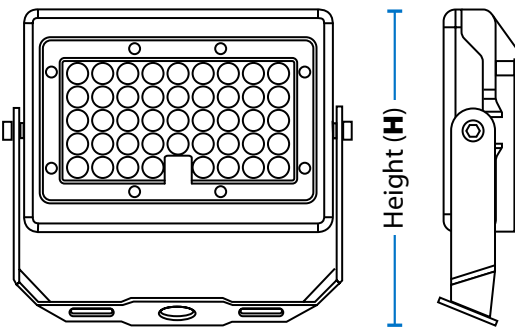
50W	
Fixture Length (L)	7.2 in (182 mm)
Fixture Width (W)	1.8 in (45 mm)
Fixture Height (H)	5.1 in (130 mm)
Height w/ Knuckle	8.6 in (218 mm)
Height w/ Yoke	7.2 in (183 mm)



OFS with Knuckle Mount



OFS with Yoke Mount



This device complies with part 15 of the FCC Rules. Operation is subject to the following two conditions: (1) This device may not cause harmful interference, and (2) this device must accept any interference received, including interference that may cause undesired operation.

NOTE: This equipment has been tested and found to comply with the limits for a Class A digital device, pursuant to part 15 of the FCC Rules. These limits are designed to provide reasonable protection against harmful interference when the equipment is operated in a commercial environment. This equipment generates, uses, and can radiate radio frequency energy and, if not installed and used in accordance with the instruction manual, may cause harmful interference to radio communications. Operation of this equipment in a residential area is likely to cause harmful interference in which case the user will be required to correct the interference at his own expense.