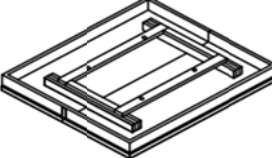
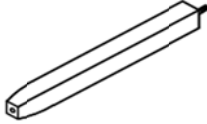
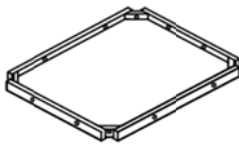
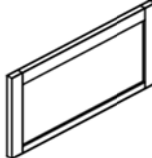
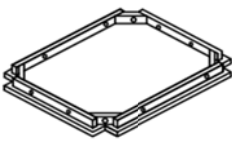
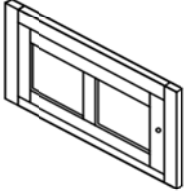








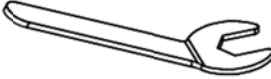
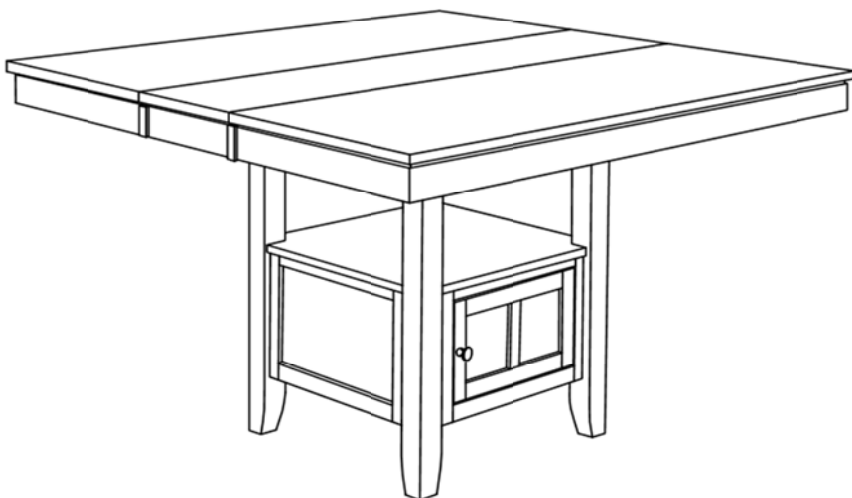


# ASSEMBLY INSTRUCTION

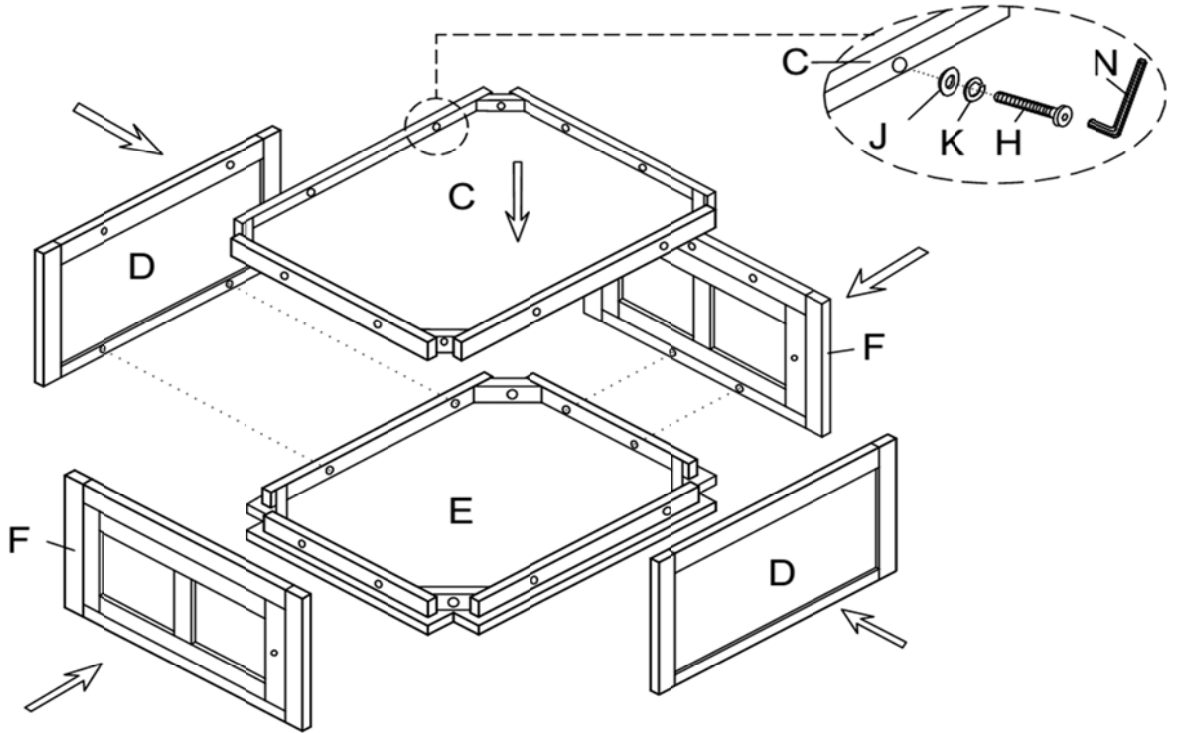
## LEAF STORAGE COUNTER HEIGHT TABLE

<b>A</b> TABLE TOP  1 pc	<b>B</b> TABLE LEG  4 pcs	<b>C</b> STORAGE BOTTOM  1 pc	<b>D</b> STORAGE SIDE  2 pcs	<b>E</b> STORAGE TOP  1 pc
<b>F</b> STORAGE DOOR  2 pcs	<b>G</b> BOLT $\phi \frac{1}{4}'' \times 60\text{mm}$  8 pcs	<b>H</b> BOLT $\phi \frac{1}{4}'' \times 38\text{mm}$  16 pcs	<b>I</b> HEX NUT $\phi \frac{5}{16}'' \times 12\text{mm}$  4 pcs	<b>J</b> FLAT WASHER $\phi \frac{5}{16}'' \times 19\text{mm}$  28 pcs
<b>K</b> LOCK WASHER $\phi \frac{5}{16}'' \times 13\text{mm}$  28 pcs	<b>L</b> KNOB SCREW $\phi \frac{5}{32}'' \times 25\text{mm}$  2 pcs	<b>M</b> KNOB  2 pcs	<b>N</b> ALLEN KEY  1 pc	<b>O</b> WRENCH  1 pc

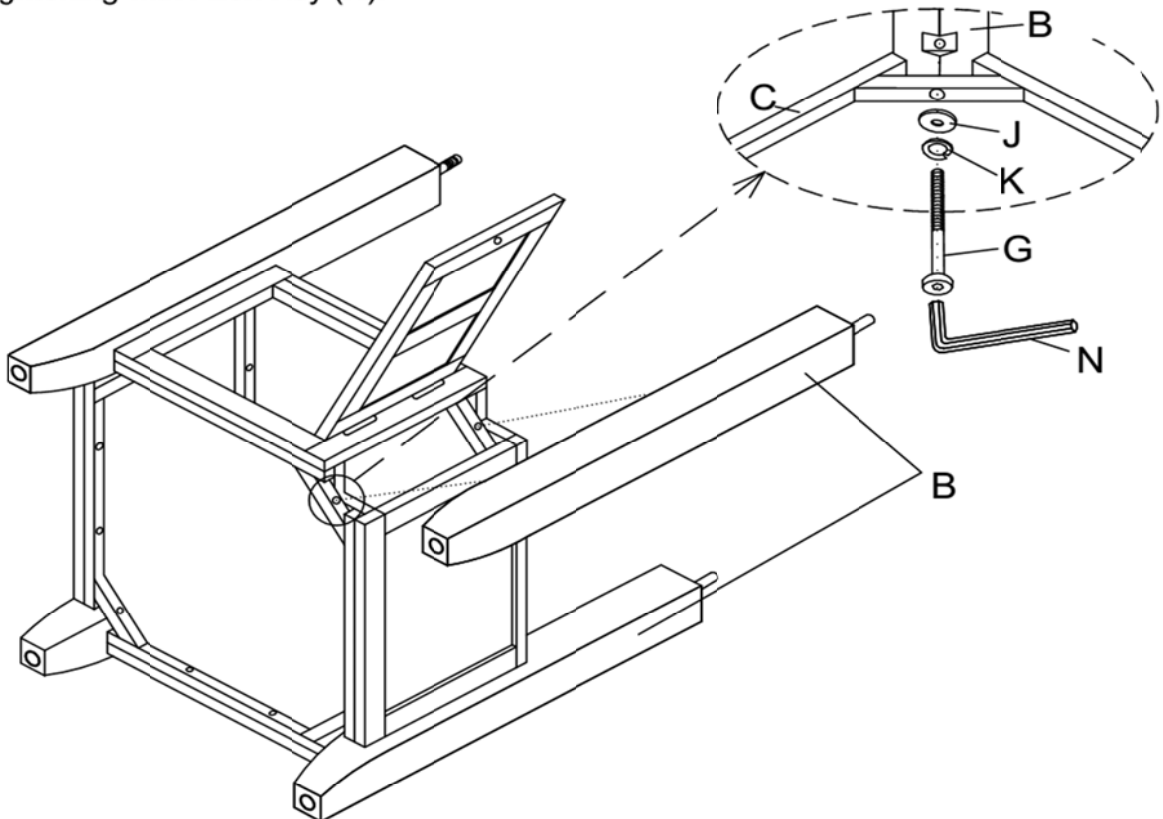


This page lists all the contents included in the box. Please take the time to identify the hardware as well as the individual components to this product. As you unpack and prepare for assembly, place the contents on a carpeted or padded area to protect them from damage.

- 1** Lay the Storage Top (E) upside down on a flat smooth surface to prevent scratching during assembly. Affix Storage Side (D), Storage Door (F), and Storage Bottom (C) with Flat Washer (J), Lock Washer (K) and Bolt (H), loosely connecting with provided Allen Key (N). Do not fully tighten.

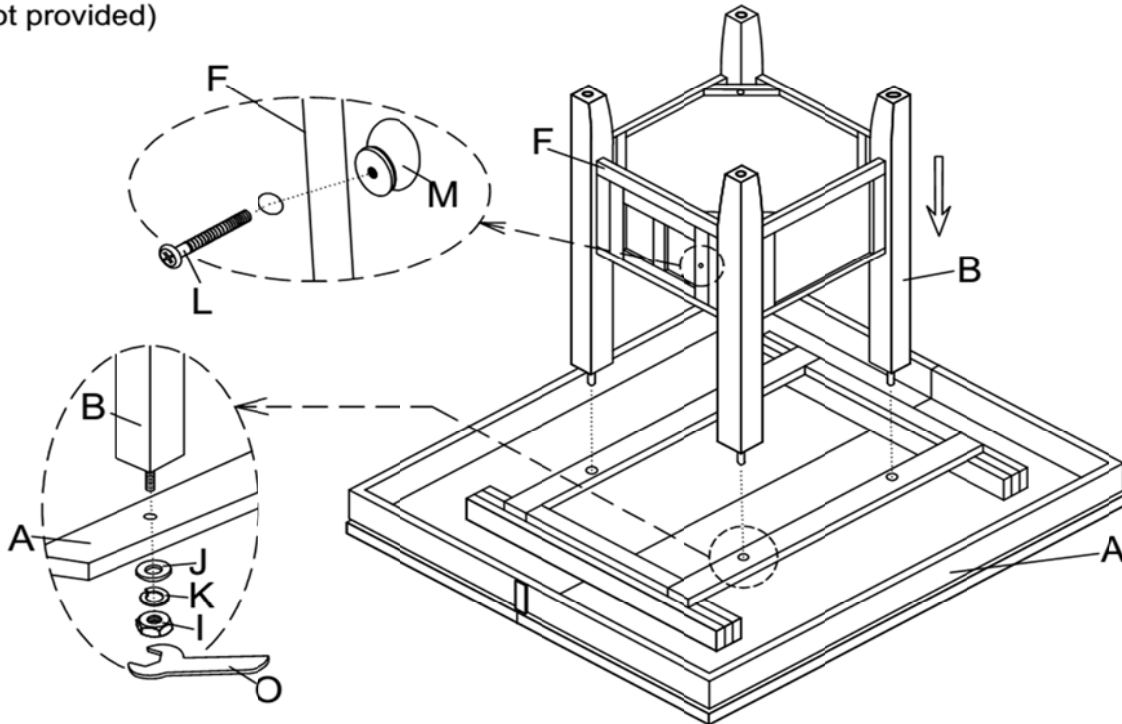


- 2** Attach each Table Leg (B) to the storage box corners with Flat Washer (J), Lock Washer (K) and Bolt (G), fully tightening with Allen Key (N).

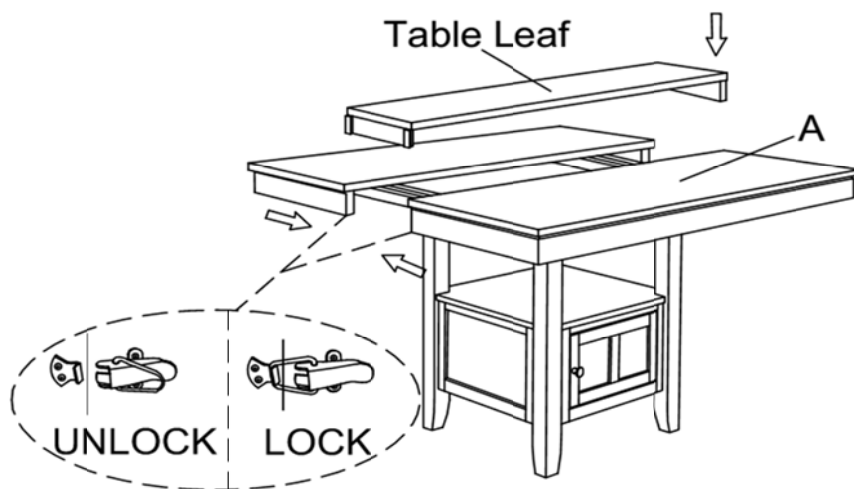


**3**

Carefully lay the Table Top (A) upside down on a flat smooth surface to prevent scratching during assembly. Align and secure base assembly to Mounting Plates of Table Top (A) by placing Flat washer (J), Lock washer (K) and Hex Nut (I) onto threaded bolt of each Table Leg (B), tightening with Wrench (O). Carefully turn assembled table upright (two people recommended to do so). Once upright, affix Knob (M) to Storage Door (F) with Knob Screw (L) by using philipshead screwdriver (not provided)

**4**

Turn the table to the upright position. Unlock the latch underneath of the Table Top (A).  
 - Pull the Table Top (A) from both ends and take out or take in the Table Leaf .  
 - Close the table top by pushing from both ends and lock the latch underneath the table top to prevent from sliding.  
 - Assembly product is now completed.



#### Cleaning & Care :

Treat surface with care. Surface is resistant to scratches but is not scratch resistant. Clean surface with a dry or damp soft cloth. Do not use abrasive cleaners. Hardware may loosen over time. Periodically check that all connections are tight.