





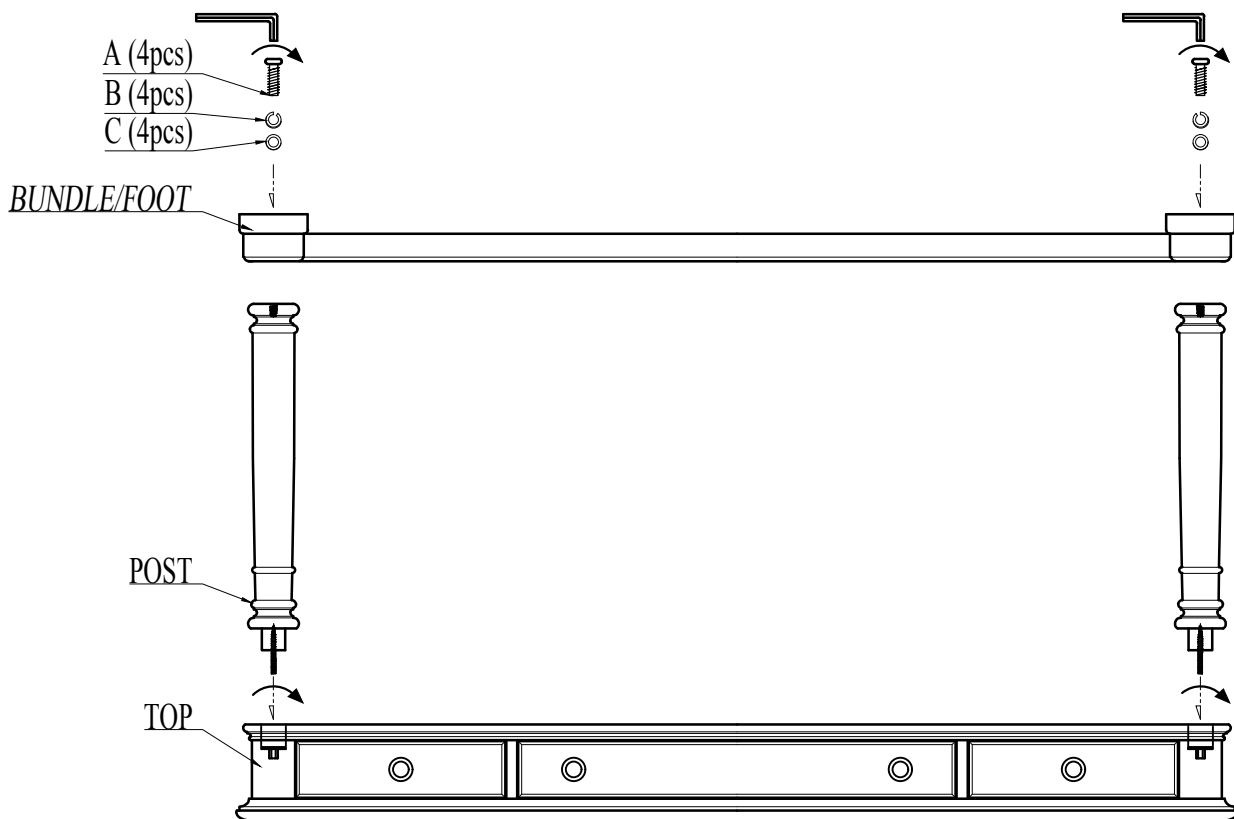
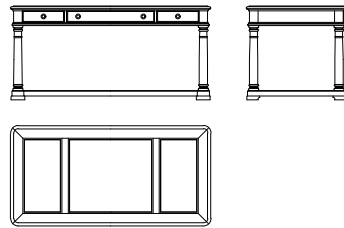
HEKMAN

A HOWARD MILLER COMPANY

ASSEMBLY INSTRUCTIONS

79148 - Louis Philippe Table Desk

NO.	Hardware List		Q'ty
A		Bolt 5/16" * 80mm L	4
B		Lock Washer 5/16" Dia	4
C		Flat Washer 5/16" Dia	4
D		Wrench 3/16" Dia*4-3/4" L	1



1. Place the top upside down on soft surface to prevent damage
2. Rotate post legs to be tightened
3. Screw the post legs and bundle/foot with Bolt(A), Lock washer(B) and Flat washer(C) by using Wrench(D)
4. Carefully turn the unit upright