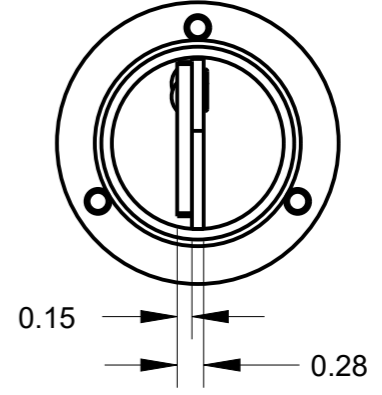
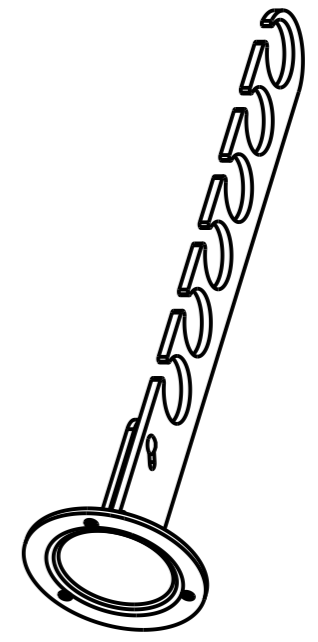
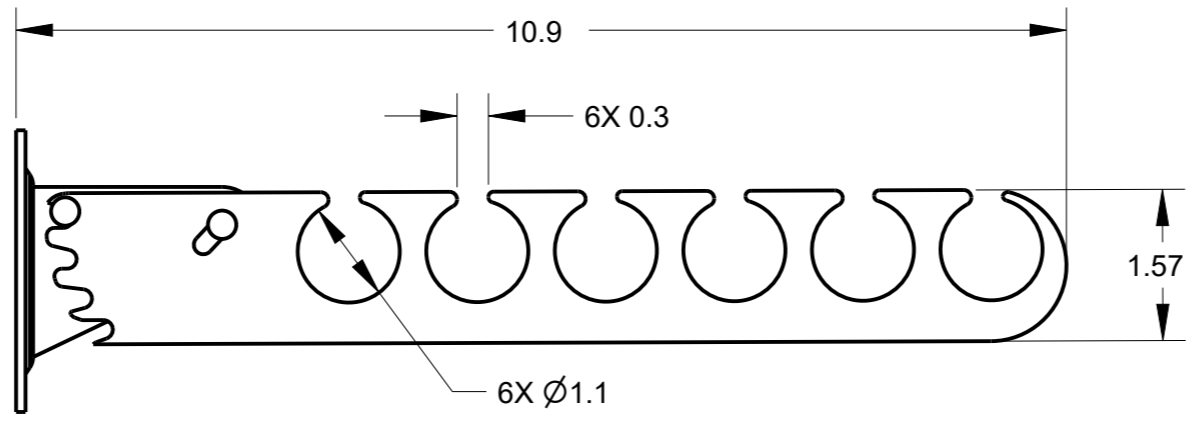
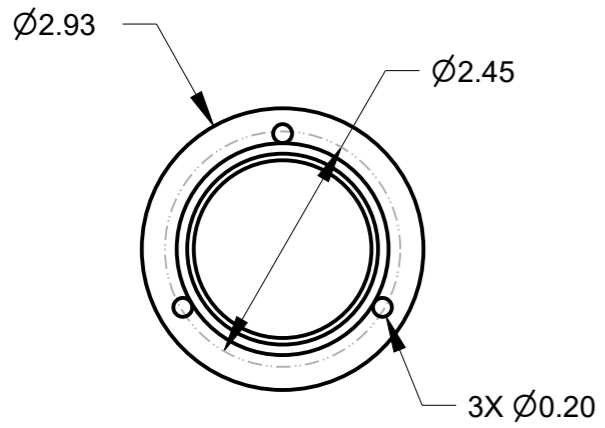


8 7 6 5 4 3 2 1

F
E
D
C
B
A

F
E
D
C
B
A



HR ITEM NUMBER	FINISH
276LV-DBAC	BRUSHED OIL RUBBED BRONZE
276LV-PC	POLISHED CHROME
276LV-SN	SATIN NICKEL
276LV-MB	MATTE BLACK



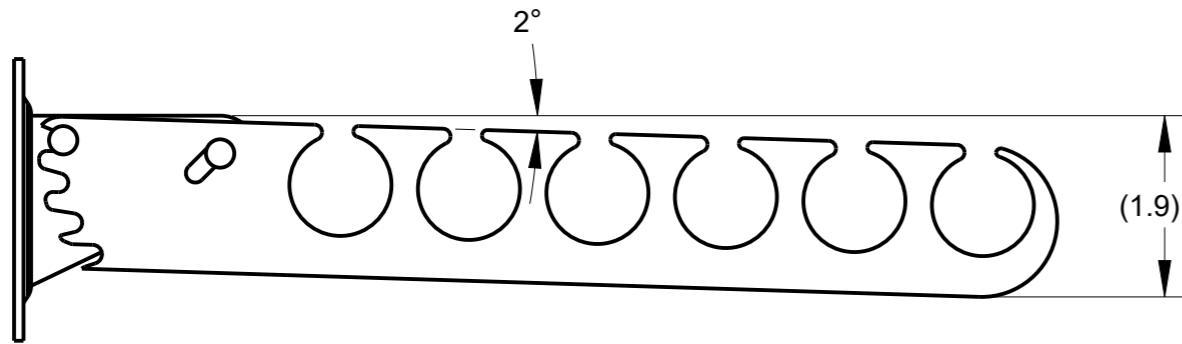
HARDWARE RESOURCES RESERVES THE RIGHT TO CHANGE SPECIFICATIONS WITHOUT NOTICE. IN CASE OF A DISCREPANCY, ACTUAL PART GEOMETRY SUPERSEDES THIS DOCUMENT.

THE INFORMATION CONTAINED WITHIN THIS DRAWING IS THE SOLE PROPERTY OF HARDWARE RESOURCES INC. ANY REPRODUCTION IN PART OR WHOLE WITHOUT WRITTEN PERMISSION OF HARDWARE RESOURCES INC. IS PROHIBITED.

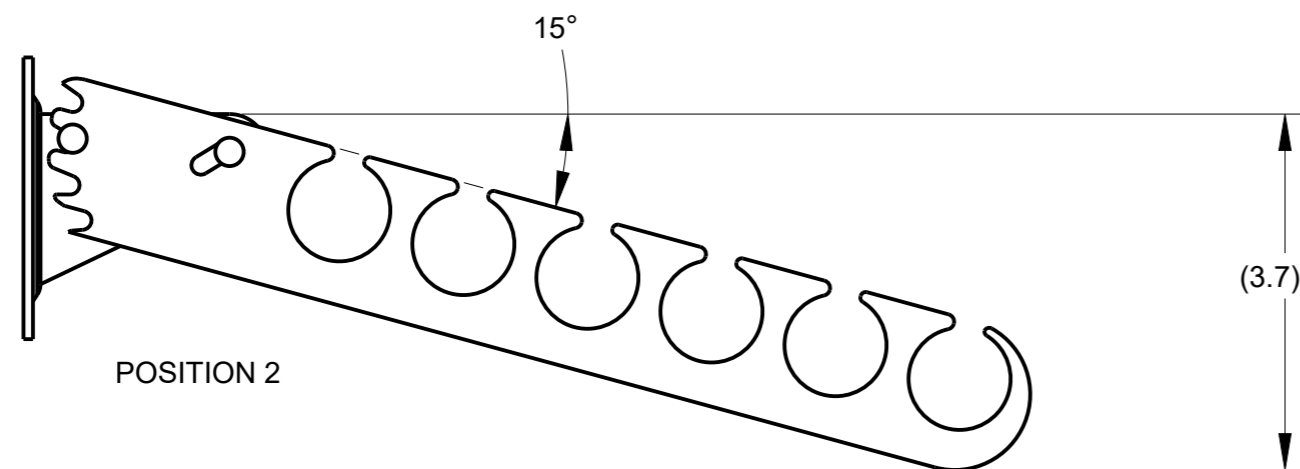
DOCUMENT STATUS Released	
UNLESS OTHERWISE SPECIFIED DIMENSIONS ARE IN INCHES (IN)	
MATERIAL STEEL	FINISH SEE TABLE
THIRD ANGLE PROJECTION	DATE 04APR2023

DESCRIPTION LAUNDRY VALET		
DRAWING NUMBER 276LV		REV B
SIZE A3	SCALE 0.500	SHEET 1 / 2

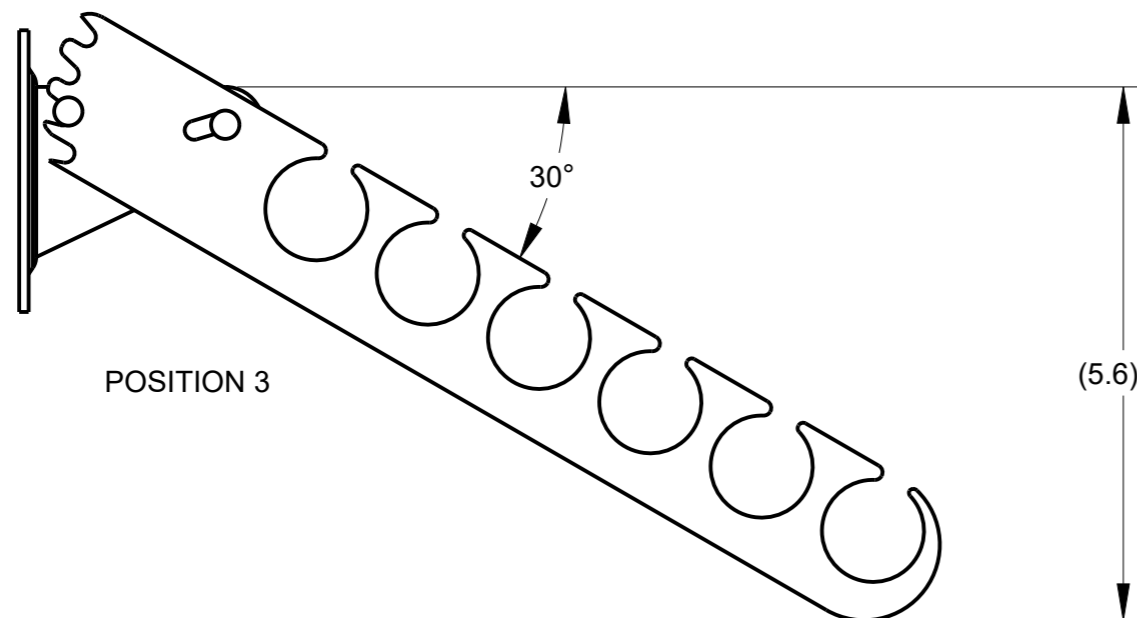
8 7 6 5 4 3 2 1



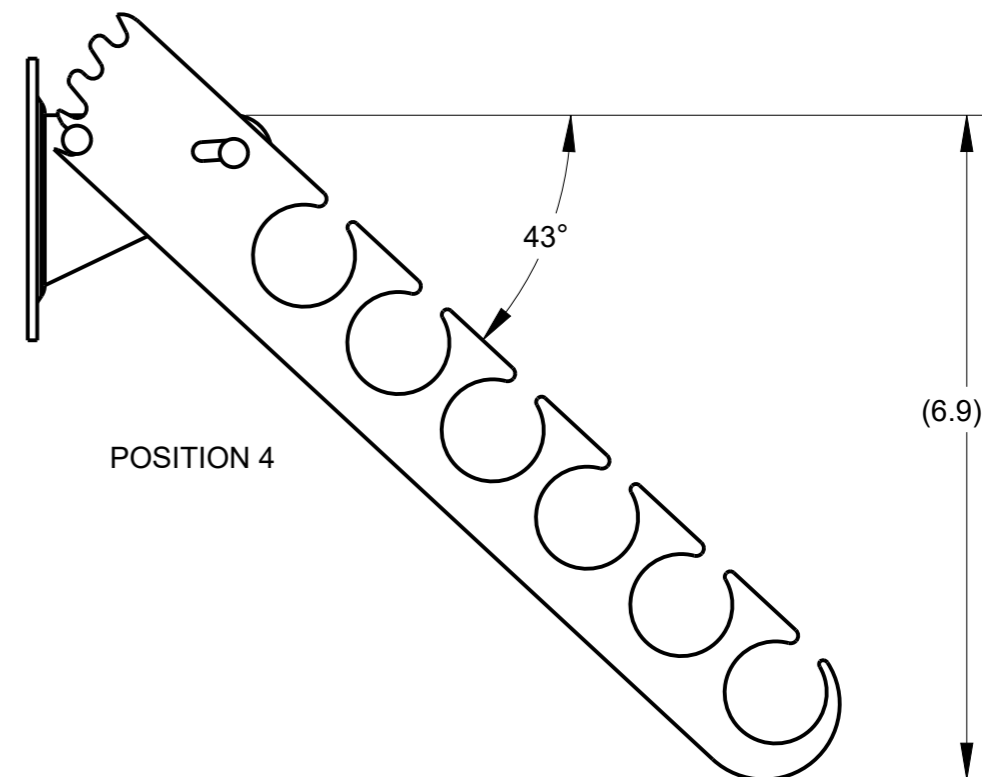
POSITION 1



POSITION 2



POSITION 3



POSITION 4

DRAWING NUMBER 276LV		REV B
SIZE A3	SCALE 0.500	SHEET 2 / 2
DOCUMENT STATUS		Released