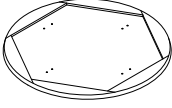
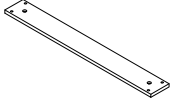
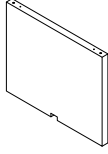
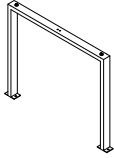
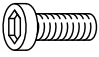
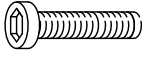
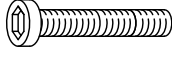
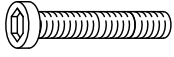


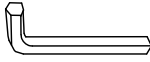

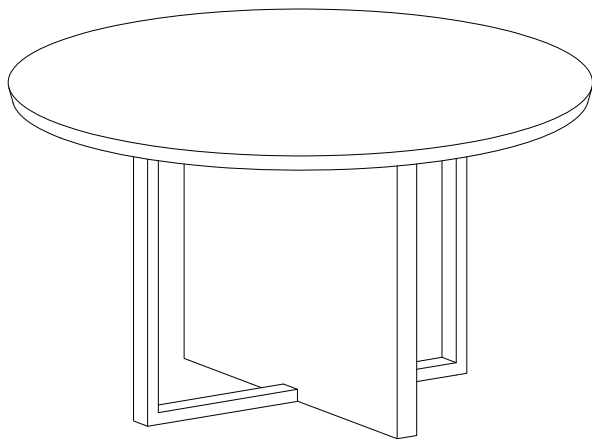


ASSEMBLY INSTRUCTION

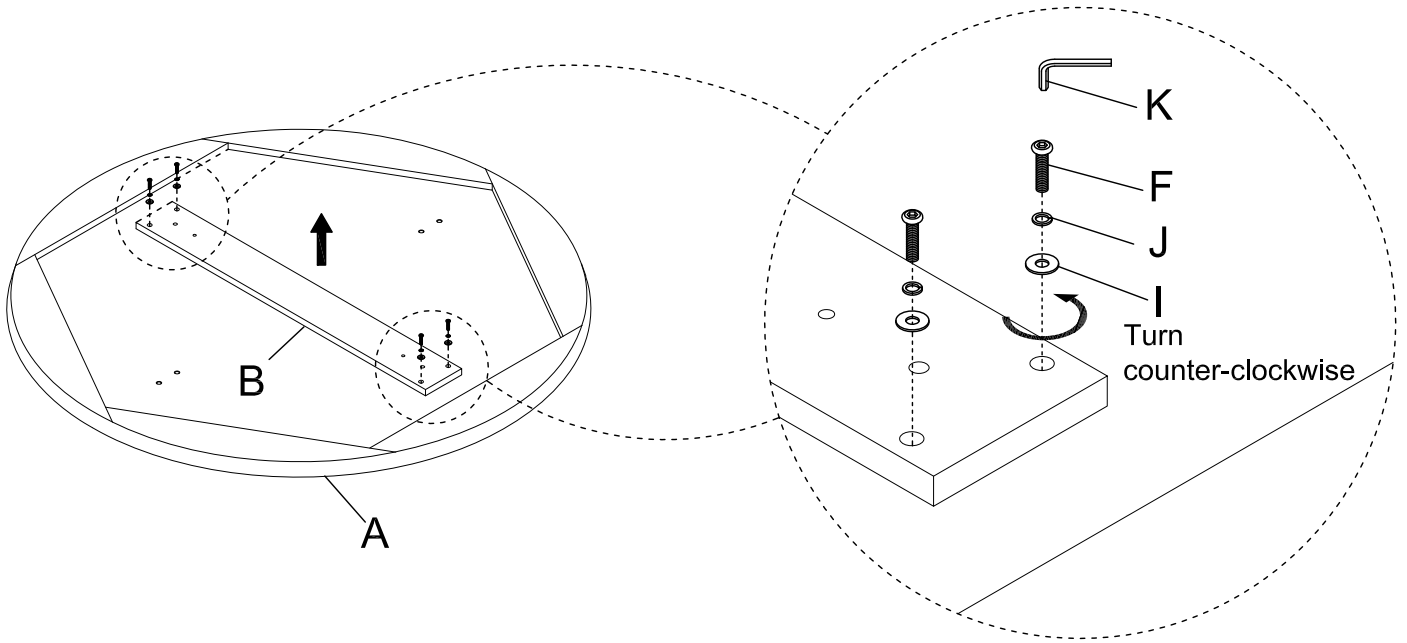
54" ROUND DINING TABLE

A Table Top  1 PC	B Mounting Plate  1 PC	C Leg  1 PC	D Metal Frame  1 PC
E Allen Bolt 5/16" x 15mm  4 PCS	F Allen Bolt 5/16" x 32mm  4 PCS	G Allen Bolt 5/16" x 38mm  2 PCS	H Allen Bolt 5/16" x 50mm  2 PCS
I Flat Washer Ø5/16" x Ø19mm  12 PCS	J Lock Washer Ø5/16"  12 PCS	K Allen Key M5  1 PC	L Dowel Ø8mm x 30mm  2 PCS

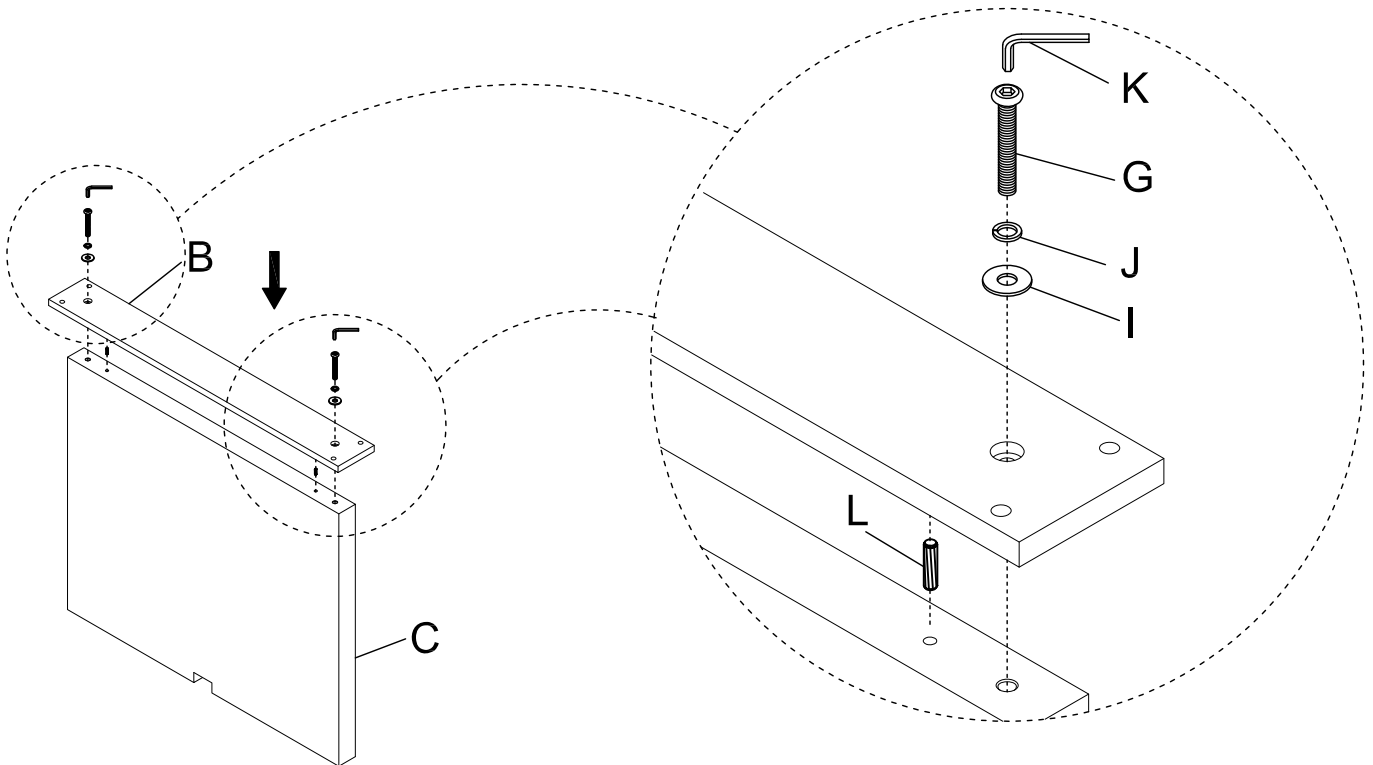


This page lists all the contents included in the box. Please take the time to identify the hardware as well as the individual components to this product. As you unpack and prepare for assembly, place the contents on a carpeted or padded area to protect them from damage.

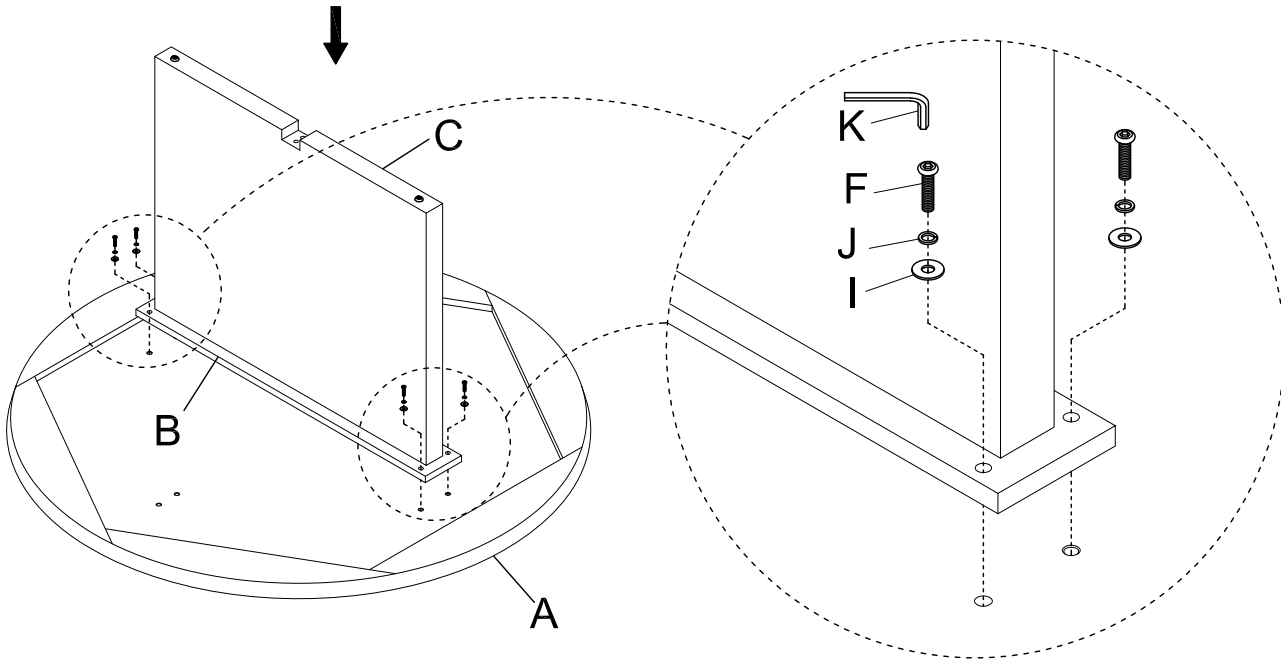
- 1** Detach Mounting Plate (B) from Table Top (A) by unfastening Flat Washer (I), Lock Washer (J) and Allen Bolt (F) with Allen Key (K).



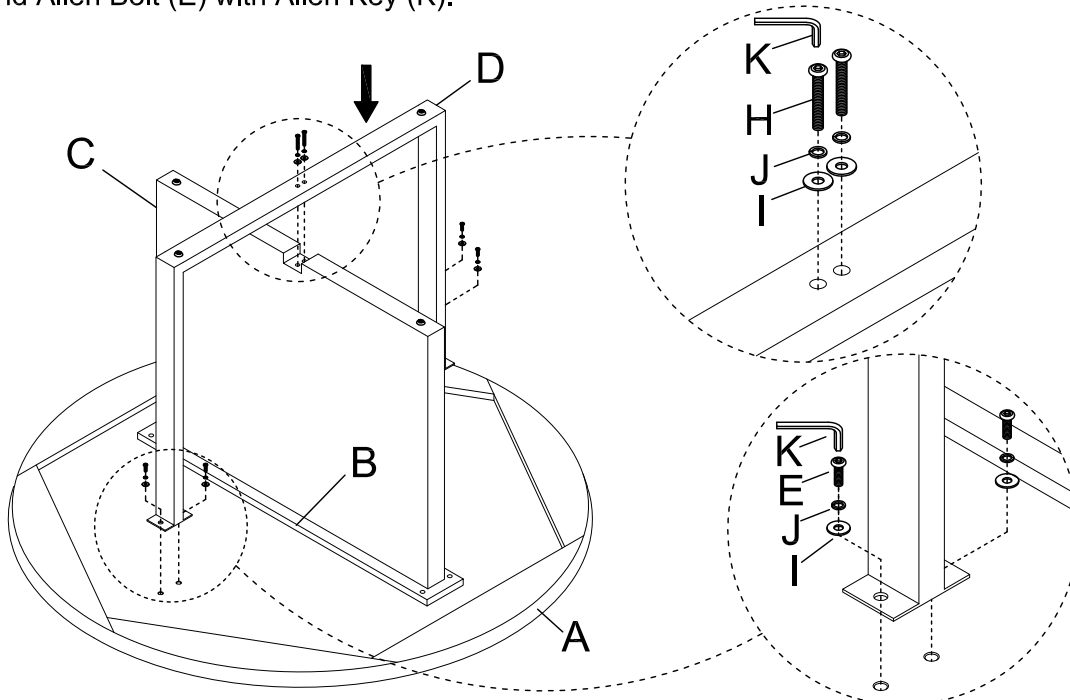
- 2** Attach Mounting Plate (B) to Leg (C) by using Dowel (L), Flat Washer (I), Lock Washer (J) and Allen Bolt (G) with Allen Key (K).



- 3** Attach Mounting Plate (B) with Leg (C) to Table Top (A) by using Flat Washer (I), Lock Washer (J) and Allen Bolt (F) with Allen Key (K).



- 4** Attach Metal Frame (D) to Leg (C) by using Flat Washer (I), Lock Washer (J), and Allen Bolt (H) with Allen Key (K). Then fix Metal Frame (D) to Table Top (A) by using Flat Washer (I), Lock Washer (J), and Allen Bolt (E) with Allen Key (K).

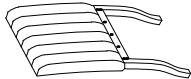
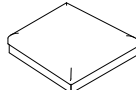
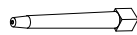

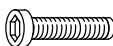
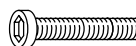


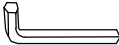


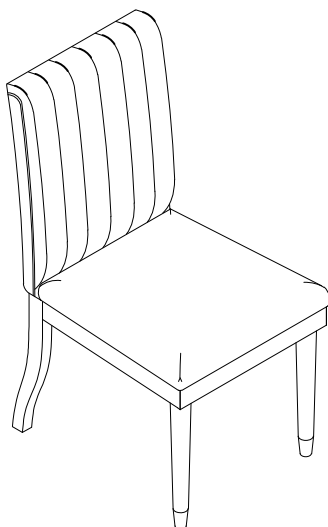
Cleaning & Care

Treat surface with care. Surface is resistant to scratches but is not scratch resistant. Clean surfaces with a dry or damp soft cloth. Do not use abrasive cleaners. Hardware may loosen over time. Periodically check that all connections are tight.

ASSEMBLY INSTRUCTION

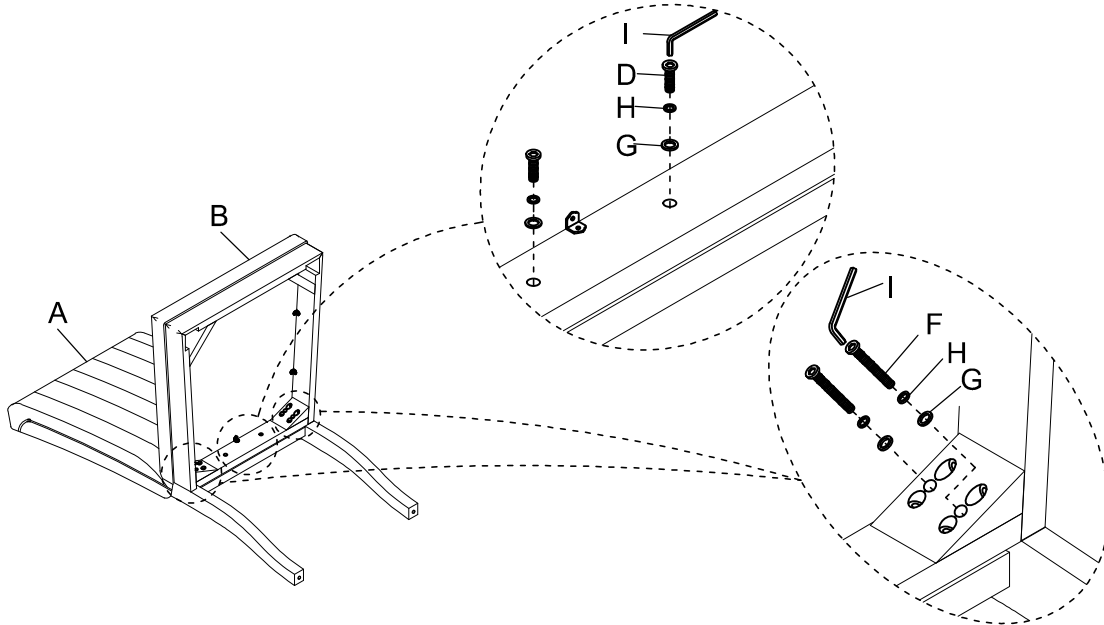
CHANNEL BACK DINING CHAIR

A Chair Back  1 PC	B Seat  1 PC	C Front Leg  2 PCS	D Allen Bolt Ø5/16" x 38mm  2 PCS
E Allen Bolt Ø5/16" x 50mm  4 PCS	F Allen Bolt Ø5/16" x 75mm  4 PCS	G Flat Washer Ø5/16" x Ø19mm  10 PCS	H Lock Washer Ø5/16"  10 PCS
I Allen Key M5  1 PC			

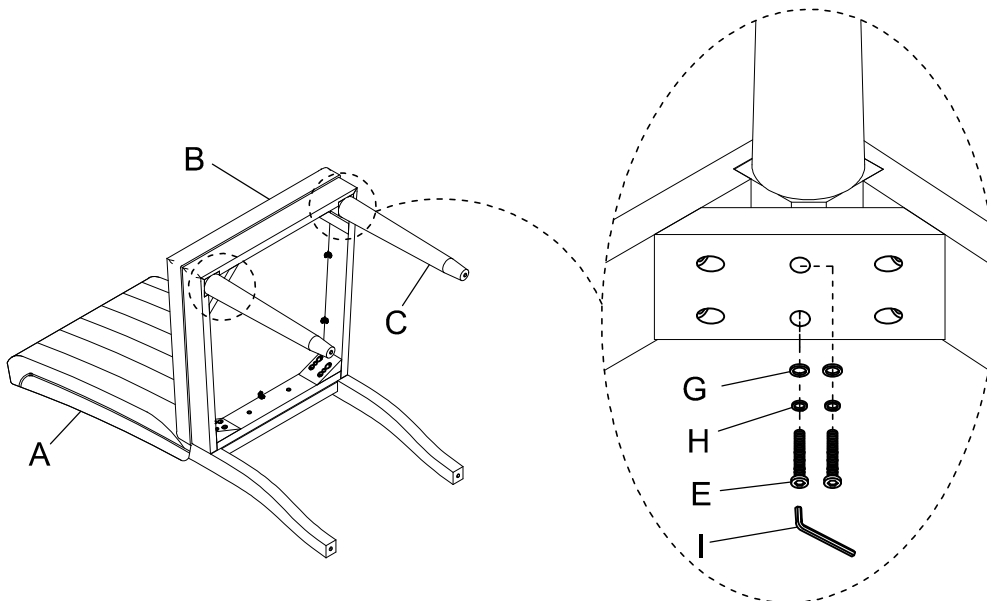


This page lists all the contents included in the box. Please take the time to identify the hardware as well as the individual components to this product. As you unpack and prepare for assembly, place the contents on a carpeted or padded area to protect them from damage.

-
- 1** Attach Seat (B) to Chair Back (A) by using Flat Washer (G), Lock Washer (H) and Allen Bolt (D) with Allen Key (I), then insert Flat Washer (G), Lock Washer (H) and Allen Bolt (F) with Allen Key (I).



-
- 2** Attach Front Leg (C) to Seat (B) by using Flat Washer (G), Lock Washer (H) and Allen Bolt (E) with Allen Key (I).



Cleaning & Care

Treat surface with care. Surface is resistant to scratches but is not scratch resistant. Clean surfaces with a dry or damp soft cloth. Do not use abrasive cleaners. Hardware may loosen over time. Periodically check that all connections are tight.